

2218R

18" Solid Door Refrigerator • 2000 Series

FEATURES & BENEFITS



STAINLESS
SOLID



INTEGRATED
SOLID

PERFORMANCE

- Volume of 3.4 cu ft holds up to 79 bottles (12 oz) or 123 cans (12 oz)
- Digital Touch Pad Control is conveniently located on upper face of unit
- Temperature range: 34°F - 45°F
- Convection cooling system rapidly and efficiently takes items to the set temperature
- Maintains temperature to within 1°F of the set point to maximize preservation

INTERIOR/EXTERIOR

- Black interior is illuminated with LED Lighting
- Four adjustable tempered glass shelves with 11 height positions
- Full-extension, slide-out crisper drawer is removable for easy cleaning
- Standard commercial stainless steel handle is interchangeable with professional handle accessory
- Must be ordered right-hand or left-hand hinged

INTEGRATION

- Robust, concealed and covered hinges with built-in door stop and closer
- Integrated model requires 3/4" custom door panel
- Fixed grille can accept an overlay toe-kick
- Four independently adjustable leveling legs provide a precise undercounter fit

MODEL DETAILS

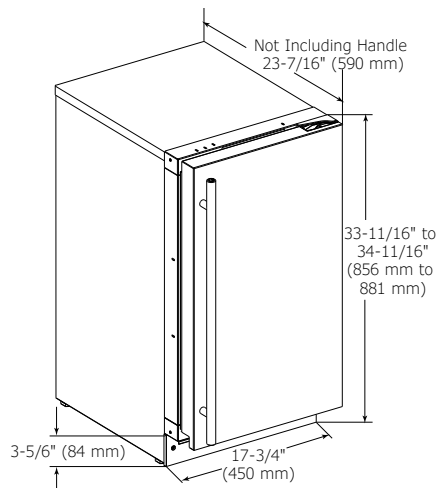
| Model | Voltage | Door Swing | Finish | Shipping Weight |
|----------------|---------|------------------|------------------|-----------------|
| U-2218RS-00A | 115 | Right-Hand Hinge | Stainless Solid | 119 lbs |
| U-2218RS-01A | 115 | Left-Hand Hinge | Stainless Solid | 119 lbs |
| U-2218RINT-00A | 115 | Right-Hand Hinge | Integrated Solid | 116 lbs |
| U-2218RINT-01A | 115 | Left-Hand Hinge | Integrated Solid | 116 lbs |

ACCESSORIES

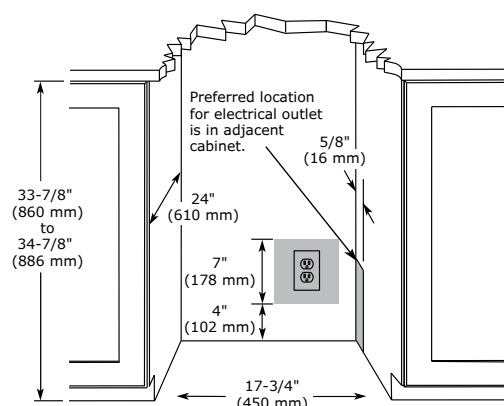
| Model | Description | Finish | Shipping Weight |
|-------|---|-----------|-----------------|
| 23054 | Professional Door Handle, 1 1/4" Diameter | Stainless | 2 lbs |

DIMENSIONS

Dimensions shown apply to all finishes, including Integrated (INT) models with 3/4" overlay panel/frame installed.



CABINET CUT-OUT



INSTALLATION NOTES

When installing adjacent to wall, ensure 2 1/2" clearance on hinged side for 90° door opening, allowing ample room for door handle.

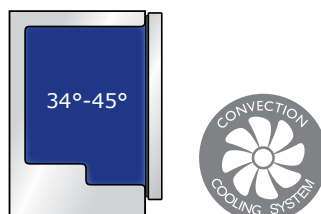
No additional clearance around sides, top or rear of unit is needed for ventilation.

Do not obstruct front grille air flow.

SPECIFICATIONS

| | |
|-----------------------------------|--------------------|
| Model | 2218R |
| Amps: Running | 1.2 |
| Capacity: Bottle (12 oz) | 79 |
| Capacity: Can (12 oz) | 123 |
| Capacity: Volume (cu ft) | 3.4 |
| Control Type | Digital Touch Pad |
| Dimensions: Product Depth | 23 7/16" / 590 mm |
| Dimensions: Product Height | 33 11/16" / 856 mm |
| Dimensions: Product Width | 17 3/4" / 450 mm |
| Energy Consumption: Avg. Per Year | 230 kWh |
| ENERGY STAR | ENERGY STAR |
| Product Weight: Max | 110 lbs |
| Refrigerant Type | R600a |
| Sabbath (Star K Certified) | Yes |
| Temperature Range | 34°F - 45°F |

COOLING SYSTEM



ELECTRICAL REQUIREMENTS

This unit requires a grounded a polarized 115 VAC, 60 Hz, 15 A power supply (normal household current).



Residential