

3018R • 18" Solid Door Refrigerator • Modular 3000 Series

FEATURES & BENEFITS



STAINLESS SOLID



INTEGRATED SOLID

| | |
|--------------------------|---|
| PERFORMANCE | <ul style="list-style-type: none"> • Volume of 3.4 cu ft holds up to 68 bottles (12 oz) or 104 cans (12 oz) • Temperature range: 34°F -70°F • Convection cooling system rapidly and efficiently takes items to the set temperature • U-Select® Control offers five distinct modes: Beverage: 34°F - 65°F, Deli: 34°F - 40°F, Market: 34°F - 40°F, Pantry: 34°F - 70°F, Root Cellar: 45°F - 55°F • U-Select® Control with digital OLED display is ergonomically located on top of door • Maintains temperature to within 1°F of the set point to maximize preservation |
| INTERIOR/EXTERIOR | <ul style="list-style-type: none"> • Black interior is illuminated with LED theater lighting • Three full-extension, slide-out drawers are removable for easy cleaning • The middle bin has two possible positions and comes with a removable glass shelf to keep products stable • The lower bin is large enough to fit 2 one-gallon containers with additional space for more storage • Standard commercial stainless steel handle is interchangeable with professional handle accessory • Must be ordered right-hand or left-hand hinged |
| INTEGRATION | <ul style="list-style-type: none"> • Robust, concealed and covered hinges with built-in door stop and closer • Adjustable grille can be shifted front-to-back and up-and-down • Integrated model requires ¾" custom door panel (panels not supplied by U-Line) • Grille can accept an integrated toe-kick • Four independently adjustable leveling legs; rear legs are adjustable from the front for ease of installation |

MODEL DETAILS

| Model | Voltage/Hz | Door Swing | Finish | Shipping Weight |
|----------------|------------|------------------|------------------|-----------------|
| U-3018RS-00A | 115 / 60 | Right-Hand Hinge | Stainless Solid | 124 lbs |
| U-3018RS-01A | 115 / 60 | Left-Hand Hinge | Stainless Solid | 124 lbs |
| U-3018RINT-00A | 115 / 60 | Right-Hand Hinge | Integrated Solid | 120 lbs |
| U-3018RINT-01A | 115 / 60 | Left-Hand Hinge | Integrated Solid | 120 lbs |

ACCESSORIES

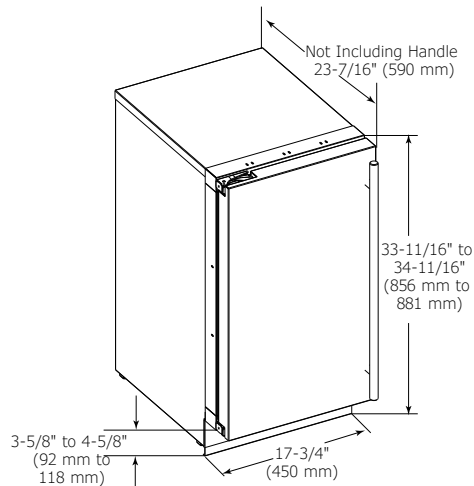
| Model | Description | Finish | Shipping Weight |
|----------------------|---|-----------|-----------------|
| 23074 | Professional Door Handle, 1 ¼" Diameter | Stainless | 2 lbs |
| 23073 | Commercial Door Handle, 7/8" Diameter | Stainless | 2 lbs |
| U-3000FLANGE-KIT | Flange Kit, 3000 Series | Black | 14 lbs |
| U-3000FLANGE-KIT-ICE | Flange Kit, 3000 Series, Ice* | Black | 17 lbs |
| 80-33027-00 | 3k 18" Slide and Divide Bin Organizer | na | 2 lbs |

*Ice machine must be installed on right side when installed with ice flange kit.

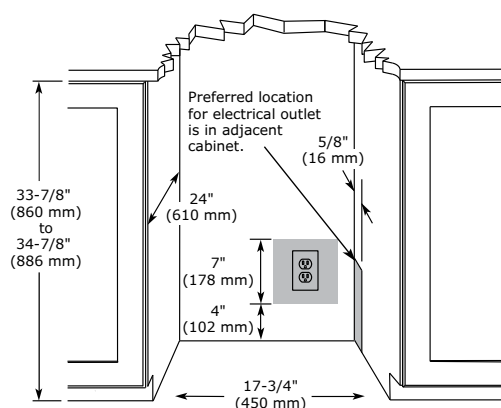
Modular 3000 Series • 18" Solid Door Refrigerator • 3018R

DIMENSIONS

Dimensions shown apply to all finishes, including Integrated (INT) models with 3/4" integrated panel/frame installed.



CABINET CUT-OUT



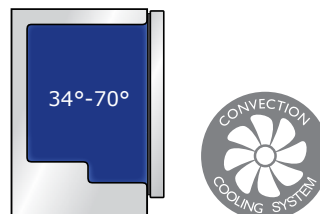
INSTALLATION NOTES

- When installing adjacent to wall, ensure 2 1/2" clearance on hinged side for 90° door opening, allowing ample room for door handle.
- No additional clearance around sides, top or rear of unit is needed for ventilation.
- Do not obstruct front grille air flow.

SPECIFICATIONS

| | |
|-----------------------------------|----------------------|
| Model | 3018R |
| Amps: Running | 1.2 |
| Capacity: Bottle (12 oz) | 68 |
| Capacity: Can (12 oz) | 104 |
| Capacity: Volume (cu ft) | 3.4 |
| Control Type | U-Select® |
| Dimensions: Product Depth | 23 7/16" / 590 mm |
| Dimensions: Product Height | 33 11/16" / 856 mm |
| Dimensions: Product Width | 17 3/4" / 450 mm |
| Energy Consumption: Avg. Per Year | 245 kWh |
| ENERGY STAR / CEE RATING | ENERGY STAR / Tier 2 |
| Panel Height | 30" / 762 mm |
| Panel Thickness | 3/4" / 20 mm |
| Panel Type | Solid Panel |
| Panel Width | 17 1/2" / 445 mm |
| Product Weight: Max | 114 lbs |
| Refrigerant Type | R600a |
| Sabbath (Star K Certified) | Yes |
| Temperature Range | 34°F - 70°F |

COOLING SYSTEM



ELECTRICAL REQUIREMENTS

This unit requires a grounded a polarized 115 VAC, 60 Hz, 15 A power supply (normal household current).



Please visit u-line.com to view this model's User Guide. All specifications are subject to change without notice.