

**3018WC • 18" Wine Captain® Model • Modular 3000 Series**

**FEATURES & BENEFITS**



STAINLESS FRAME



STAINLESS FRAME (LOCK)



INTEGRATED FRAME



INTEGRATED SOLID

<b>PERFORMANCE</b>	<ul style="list-style-type: none"> <li>• Volume of 3.6 cu ft holds up to 31 wine bottles (750 ml)</li> <li>• Temperature range: 38°F - 65°F</li> <li>• Convection cooling system rapidly and efficiently takes items to the set temperature</li> <li>• U-Select® Control offers three distinct modes: Sparkling Wine: 38°F - 50°F, White Wine: 45°F - 55°F, Red Wine: 55°F - 65°F</li> <li>• U-Select® Control with digital OLED display is ergonomically located on top of door</li> <li>• Maintains temperature to within 1°F of the set point to maximize preservation</li> <li>• Relative humidity inside the unit is approx. 50%</li> <li>• Rubber mounted compressor virtually eliminates vibration</li> </ul>
<b>INTERIOR/EXTERIOR</b>	<ul style="list-style-type: none"> <li>• Black interior is illuminated with LED theater lighting that automatically turns off when the door is closed, or can be set to stay on for 3, 6, or 24 hours</li> <li>• Robust full-extension black vinyl coated wine racks allow for easy access and prevent bottles from shifting</li> <li>• Wine racks accommodate a variety of bottle shapes and sizes; the fourth and fifth racks allow for larger diameter wine and champagne bottles</li> <li>• LowE coated, argon gas filled thermopane glass door provides protection from harmful UV light</li> <li>• Standard commercial stainless steel handle is interchangeable with professional handle accessory</li> <li>• Must be ordered right-hand or left-hand hinged</li> </ul>
<b>INTEGRATION</b>	<ul style="list-style-type: none"> <li>• Robust, concealed and covered hinges with built-in door stop and closer</li> <li>• Adjustable grille can be shifted front-to-back and up-and down</li> <li>• Integrated model requires ¾" custom door panel (panels not supplied by U-Line)</li> <li>• Grille can accept an integrated toe-kick</li> <li>• Four independently adjustable leveling legs; rear legs are adjustable from the front for ease of installation</li> </ul>

**MODEL DETAILS**

Model	Voltage/Hz	Door Swing	Finish	Shipping Weight
U-3018WCS-00A	115 / 60	Right-Hand Hinge	Stainless Frame	134 lbs
U-3018WCS-01A	115 / 60	Left-Hand Hinge	Stainless Frame	134 lbs
U-3018WCS-13A	115 / 60	Right-Hand Hinge	Stainless Frame (Lock)	134 lbs
U-3018WCS-15A	115 / 60	Left-Hand Hinge	Stainless Frame (Lock)	134 lbs
U-3018WCINT-00A	115 / 60	Right-Hand Hinge	Integrated Frame	139 lbs
U-3018WCINT-01A	115 / 60	Left-Hand Hinge	Integrated Frame	139 lbs
U-3018WCINT-60A	115 / 60	Right-Hand Hinge	Integrated Solid	133 lbs
U-3018WCINT-61A	115 / 60	Left-Hand Hinge	Integrated Solid	133 lbs

**ACCESSORIES**

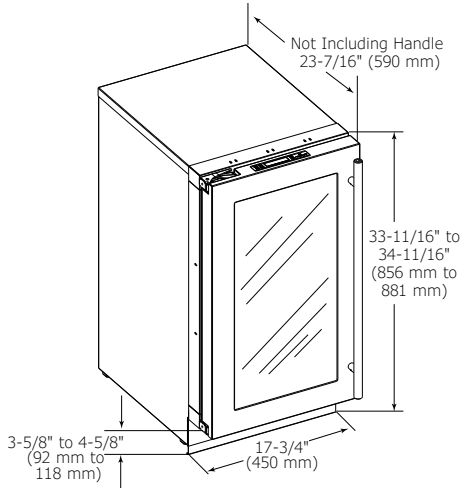
Model	Description	Finish	Shipping Weight
23074	Professional Door Handle, 1 ¼" Diameter	Stainless	2 lbs
23073	Commercial Door Handle, 7/8" Diameter	Stainless	2 lbs
U-3000FLANGE-KIT	Flange Kit, 3000 Series	Black	14 lbs
U-3000FLANGE-KIT-ICE	Flange Kit, 3000 Series, Ice*	Black	17 lbs

\*Ice machine must be installed on right side when installed with ice flange kit.

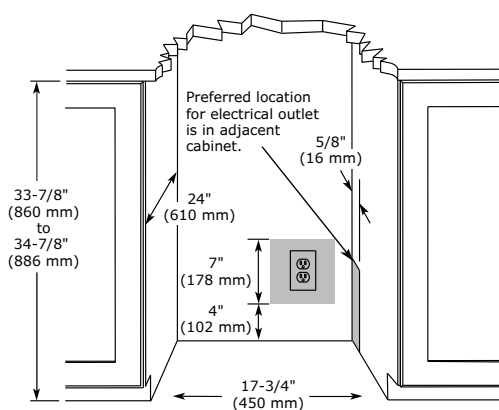
Modular 3000 Series • 18" Wine Captain® Model • **3018WC**

**DIMENSIONS**

Dimensions shown apply to all finishes, including Integrated (INT) models with 3/4" integrated panel/frame installed.



**CABINET CUT-OUT**



**INSTALLATION NOTES**

When installing adjacent to wall, ensure 2 1/2" clearance on hinged side for 90° door opening, allowing ample room for door handle.

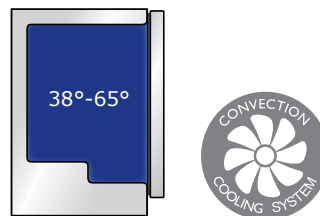
No additional clearance around sides, top or rear of unit is needed for ventilation.

Do not obstruct front grille air flow.

**SPECIFICATIONS**

Model	3018WC
Amps: Running	1.2
Capacity: Volume (cu ft)	3.6
Capacity: Wine Bottle (750 ml)	31
Control Type	U-Select®
Dimensions: Product Depth	23 7/16" / 590 mm
Dimensions: Product Height	33 11/16" / 856 mm
Dimensions: Product Width	17 3/4" / 450 mm
Energy Consumption: Avg. Per Year	250 kWh
ENERGY STAR	na
Panel Height	30" / 762 mm
Panel Thickness	3/4" / 20 mm
Panel Type	2 3/4" / 70 mm Frame Panel or Solid Panel (-60 suffix)
Panel Width	17 1/2" / 445 mm
Product Weight: Max	125 lbs
Refrigerant Type	R600a
Sabbath (Star K Certified)	Yes
Temperature Range	38°F - 65°F

**COOLING SYSTEM**



**ELECTRICAL REQUIREMENTS**

This unit requires a grounded a polarized 115 VAC, 60 Hz, 15 A power supply (normal household current).



Residential

Please visit [u-line.com](http://u-line.com) to view this model's User Guide. All specifications are subject to change without notice.