

3018WC • 18" Wine Captain® Model • Modular 3000 Series

FEATURES & BENEFITS



STAINLESS FRAME



STAINLESS FRAME (LOCK)



INTEGRATED FRAME



INTEGRATED SOLID

| | |
|--------------------------|--|
| PERFORMANCE | <ul style="list-style-type: none"> • Volume of 3.6 cu ft holds up to 31 wine bottles (750 ml) • Temperature range: 38°F - 65°F • Convection cooling system rapidly and efficiently takes items to the set temperature • U-Select® Control offers three distinct modes: Sparkling Wine: 38°F - 50°F, White Wine: 45°F - 55°F, Red Wine: 55°F - 65°F • U-Select® Control with digital OLED display is ergonomically located on top of door • Maintains temperature to within 1°F of the set point to maximize preservation • Relative humidity inside the unit is approx. 50% • Rubber mounted compressor virtually eliminates vibration |
| INTERIOR/EXTERIOR | <ul style="list-style-type: none"> • Black interior is illuminated with LED theater lighting that automatically turns off when the door is closed, or can be set to stay on for 3, 6, or 24 hours • Robust full-extension black vinyl coated wine racks allow for easy access and prevent bottles from shifting • Wine racks accommodate a variety of bottle shapes and sizes; the fourth and fifth racks allow for larger diameter wine and champagne bottles • LowE coated, argon gas filled thermopane glass door provides protection from harmful UV light • Standard commercial stainless steel handle is interchangeable with professional handle accessory • Must be ordered right-hand or left-hand hinged |
| INTEGRATION | <ul style="list-style-type: none"> • Robust, concealed and covered hinges with built-in door stop and closer • Adjustable grille can be shifted front-to-back and up-and down • Integrated model requires ¾" custom door panel • Grille can accept an overlay toe-kick • Four independently adjustable leveling legs; rear legs are adjustable from the front for ease of installation |

MODEL DETAILS

| Model | Voltage | Door Swing | Finish | Shipping Weight |
|-----------------|---------|------------------|------------------------|-----------------|
| U-3018WCS-00A | 115 | Right-Hand Hinge | Stainless Frame | 134 lbs |
| U-3018WCS-01A | 115 | Left-Hand Hinge | Stainless Frame | 134 lbs |
| U-3018WCS-13A | 115 | Right-Hand Hinge | Stainless Frame (Lock) | 134 lbs |
| U-3018WCS-15A | 115 | Left-Hand Hinge | Stainless Frame (Lock) | 134 lbs |
| U-3018WCINT-00A | 115 | Right-Hand Hinge | Integrated Frame | 139 lbs |
| U-3018WCINT-01A | 115 | Left-Hand Hinge | Integrated Frame | 139 lbs |
| U-3018WCINT-60A | 115 | Right-Hand Hinge | Integrated Solid | 133 lbs |
| U-3018WCINT-61A | 115 | Left-Hand Hinge | Integrated Solid | 133 lbs |

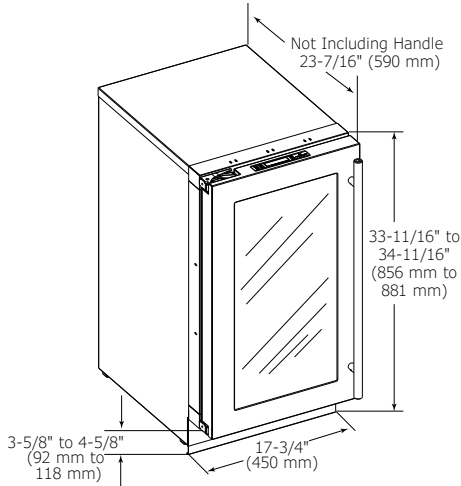
ACCESSORIES

| Model | Description | Finish | Shipping Weight |
|----------------------|---|-----------|-----------------|
| 23074 | Professional Door Handle, 1 ¼" Diameter | Stainless | 2 lbs |
| 23073 | Commercial Door Handle, 7/8" Diameter | Stainless | 2 lbs |
| U-3000FLANGE-KIT | Flange Kit, 3000 Series | Black | 14 lbs |
| U-3000FLANGE-KIT-ICE | Flange Kit, 3000 Series, Ice** | Black | 17 lbs |

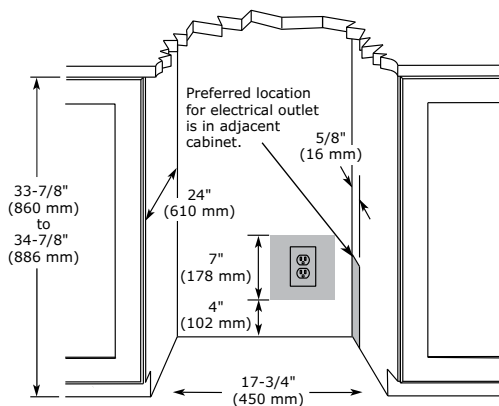
Modular 3000 Series • 18" Wine Captain® Model • **3018WC**

DIMENSIONS

Dimensions shown apply to all finishes, including Integrated (INT) models with 3/4" overlay panel/frame installed.



CABINET CUT-OUT



INSTALLATION NOTES

When installing adjacent to wall, ensure 2 1/2" clearance on hinged side for 90° door opening, allowing ample room for door handle.

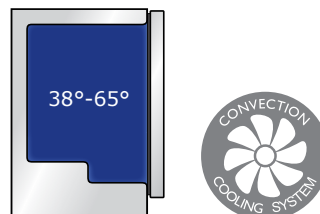
No additional clearance around sides, top or rear of unit is needed for ventilation.

Do not obstruct front grille air flow.

SPECIFICATIONS

| | |
|-----------------------------------|--------------------|
| Model | 3018WC |
| Amps: Running | 1.2 |
| Capacity: Volume (cu ft) | 3.6 |
| Capacity: Wine Bottle (750 ml) | 31 |
| Control Type | U-Select® |
| Dimensions: Product Depth | 23 7/16" / 590 mm |
| Dimensions: Product Height | 33 11/16" / 856 mm |
| Dimensions: Product Width | 17 3/4" / 450 mm |
| Energy Consumption: Avg. Per Year | 250 kWh |
| ENERGY STAR | na |
| Product Weight: Max | 125 lbs |
| Refrigerant Type | R600a |
| Sabbath (Star K Certified) | Yes |
| Temperature Range | 38°F - 65°F |

COOLING SYSTEM



ELECTRICAL REQUIREMENTS

This unit requires a grounded a polarized 115 VAC, 60 Hz, 15 A power supply (normal household current).

Please visit u-line.com to view this model's User Guide. All specifications are subject to change without notice.

