

# 24" Marvel High Efficiency Single Zone Wine Cellar

Model # ML24WS\*\*\*\*

- Dynamic Cooling Technology™ delivers rapid cooldown and the industry's best temperature stability
- MARVEL Intuit™ Integrated Controls provide precise temperature management from 40°F to 65°F
- Vibration Neutralization System™ protects wine from vibration
- Thermal-efficient cabinet ensures optimum wine preservation and energy efficiency while maximizing capacity
- Tinted, UV-resistant dual pane glass door protects wine from damaging ultra-violet light
- Two-stage, soft white theatre-style LED lighting and midnight black interior
- Natural maple shelf fronts are stainable to match cabinetry
- Three-quarter extension roller-glide shelf system prevents jarring
- Close Door Assist System™ gently and automatically closes door
- Panel overlay option features soft-close integrated hinge for a truly flush fit with cabinetry
- Audible and visual alarms signal when door is left ajar to protect wine integrity and energy use
- Vacation/Sabbath mode conserves energy during times when the unit is not in use and complies with Star-K requirements
- Sleek stainless steel door, designer handle and adjustable black toe grill
- Height adjustment up to 1" with leveling legs
- Up to 2x more efficient than leading competitors
- 4" black adjustable toe kick
- 1-year warranty



| Ordering Details                                       |            |
|--------------------------------------------------------|------------|
| Stainless Frame Glass Door, Right Hinge                | ML24WSG2RS |
| Stainless Frame Glass Door, Left Hinge                 | ML24WSG2LS |
| Smooth Black Frame Glass Door, Right Hinge             | ML24WSG2RB |
| Smooth Black Frame Glass Door, Left Hinge              | ML24WSG2LB |
| Panel Overlay Frame Glass Door, Integrated Right Hinge | ML24WSF3RP |
| Panel Overlay Frame Glass Door, Integrated Left Hinge  | ML24WSF3LP |
| Solid Panel Overlay Ready Door, Integrated Right Hinge | ML24WSP3RP |
| Solid Panel Overlay Ready Door, Integrated Left Hinge  | ML24WSP3LP |

No panel installation kit required.

## Storage Capacity

Up to 45 bottles total

## Storage Configuration

- (1) 5-bottle gallery display wine rack
- (5) 8-bottle roller-glide wine racks

## Product Dimensions

23<sup>7</sup>/<sub>8</sub>" W x 33<sup>3</sup>/<sub>4</sub>" minimum H x 24<sup>1</sup>/<sub>6</sub>" D  
(including handle)

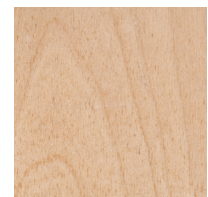
## Finish/Door Options



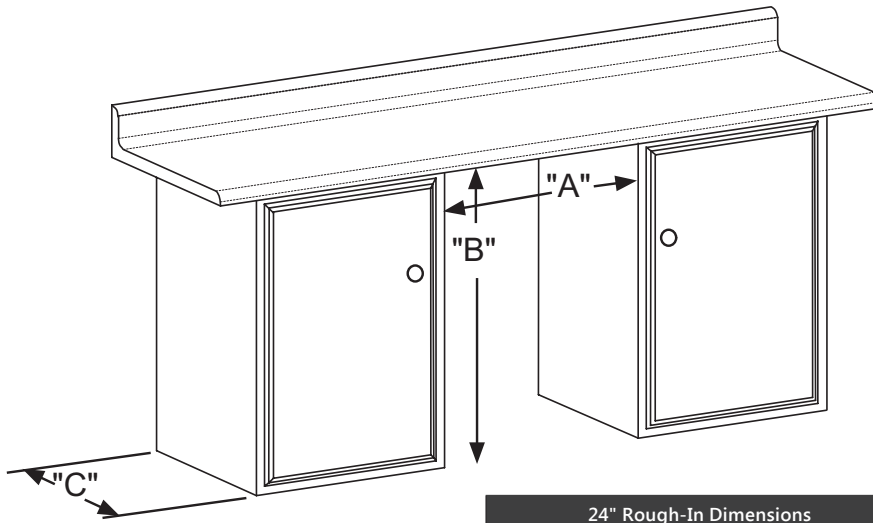
Stainless Steel



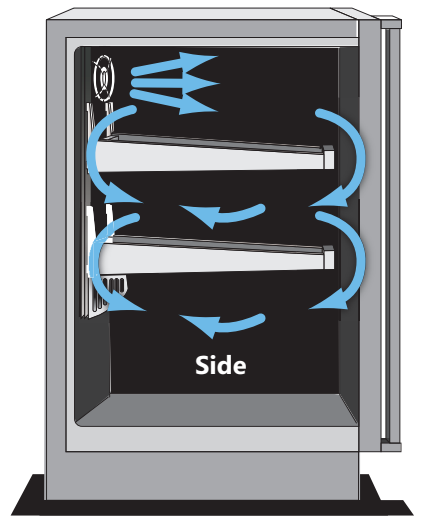
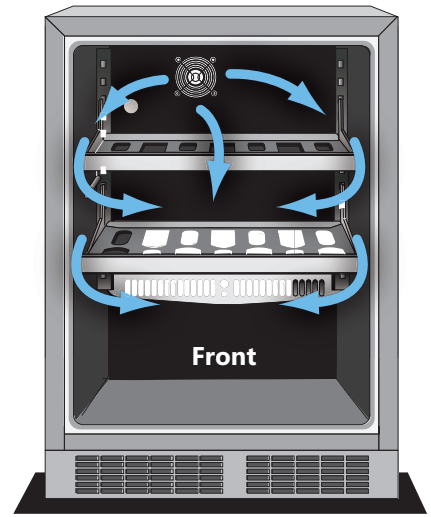
Black



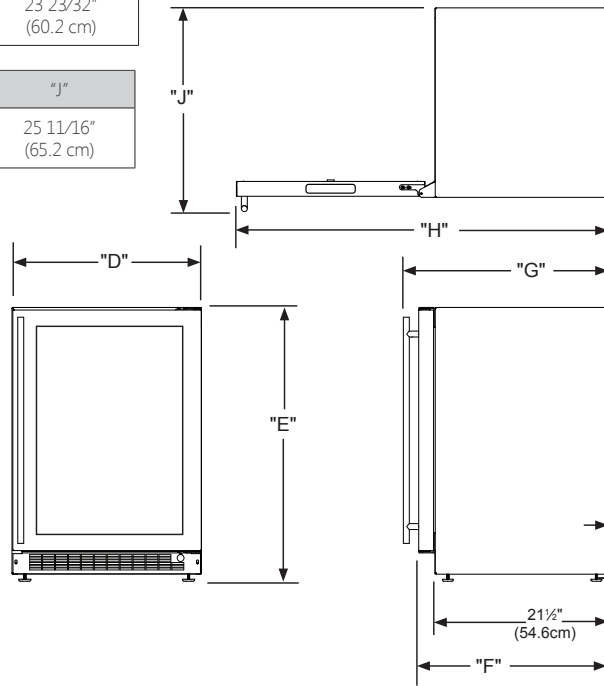
Wood Overlay  
(Panel Ready)



| 24" Rough-In Dimensions |                                   |                |
|-------------------------|-----------------------------------|----------------|
| "A"                     | "B"                               | "C"            |
| 24"<br>(61 cm)          | **34" to 35"<br>(86.4 to 88.9 cm) | 24"<br>(61 cm) |



| Cabinet Dimensions     |                                         |                        |
|------------------------|-----------------------------------------|------------------------|
| "D"                    | "E"                                     | "F"                    |
| 23 7/8"<br>(60.7 cm)   | 33 3/4" to 34 3/4"<br>(85.7 to 88.3 cm) | 23 23/32"<br>(60.2 cm) |
| "G"                    | "H"                                     | "J"                    |
| 25 21/32"<br>(65.2 cm) | 46 13/32"<br>(117.9 cm)                 | 25 11/16"<br>(65.2 cm) |



### Dynamic Cooling Technology™ delivers rapid cool down and the industry's best temperature stability

The distinctive Marvel design features a thermal-efficient cabinet and door combined with Dynamic Cooling Technology™ for superior temperature stability, faster cooling times and speedy temperature recovery even with high frequency.

|                          |                                  |
|--------------------------|----------------------------------|
| <b>Width</b>             | 23 7/8"                          |
| <b>Interior Finish</b>   | Black                            |
| <b>Capacity</b>          | Up to 45 wine bottles            |
| <b>Shelving System</b>   | Side mount - tray                |
| <b>Shelf Fronts</b>      | Black painted maple              |
| <b>Other Storage</b>     | 1 roll-out 5 bottle display rack |
| <b>Interior Lighting</b> | 2 White LED Pods                 |
| <b>Toe Grill Finish</b>  | Black                            |
| <b>Hinge</b>             | Classic Hinge                    |
| <b>Handle</b>            | Designer                         |

|                                |                                   |
|--------------------------------|-----------------------------------|
| <b>Control Type</b>            | Intuit™                           |
| <b>Temperature Range</b>       | 40° - 65° F                       |
| <b>Lock</b>                    | NA                                |
| <b>Electrical Requirements</b> | 120V / 60Hz / 15A                 |
| <b>Length of Power Cord</b>    | 5'                                |
| <b>Product Dimensions</b>      | 23 7/8" W x 33 3/4" H x 21 1/2" D |
| <b>Depth to Front of Door</b>  | 23 23/32"                         |
| <b>Depth to Handle</b>         | 25 21/32"                         |
| <b>Depth with door at 90°</b>  | 46 13/32"                         |
| <b>Shipping Weight</b>         | 160 lbs                           |

|                                |          |
|--------------------------------|----------|
| <b>Finishes</b>                | SS, B, O |
| <b>Vacation / Sabbath Mode</b> | Yes      |
| <b>Agency Approvals</b>        | CSA      |
| <b>Energy Star Certified</b>   | NA       |

### Finishes Key

SS = Stainless Steel  
 B = Black  
 O = Overlay

# Overlay Panels

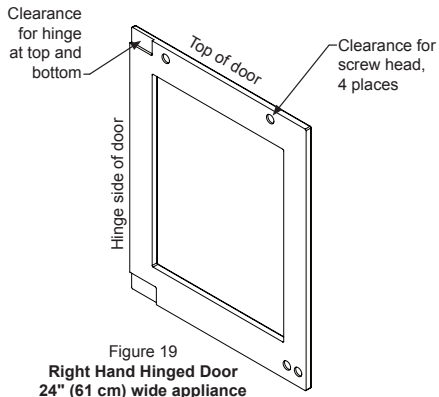


Figure 19  
Right Hand Hinged Door  
24" (61 cm) wide appliance

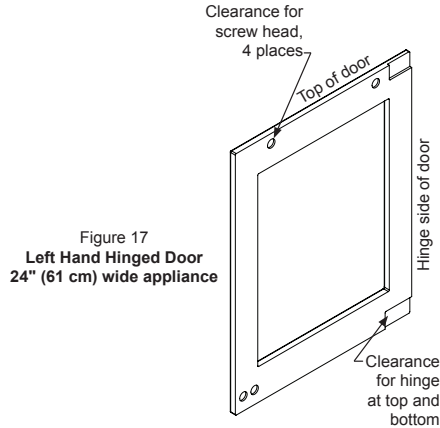


Figure 17  
Left Hand Hinged Door  
24" (61 cm) wide appliance

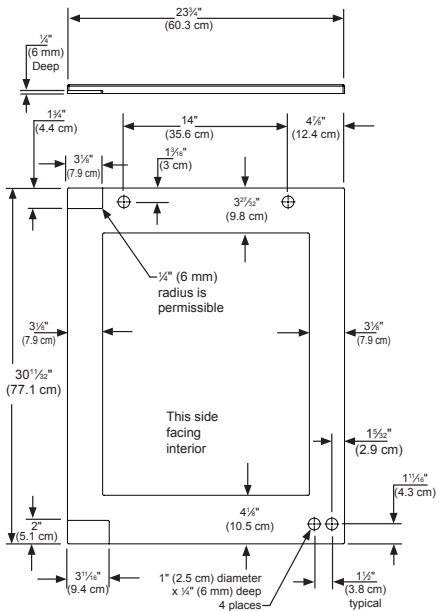


Figure 20  
Right Hand Hinged Door  
24" (61 cm) wide appliance

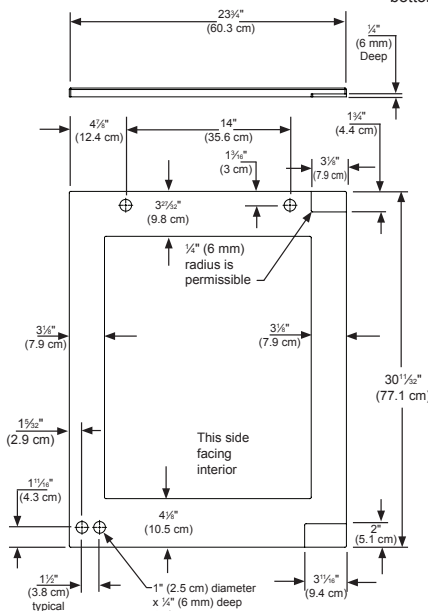


Figure 18  
Left Hand Hinged Door  
24" (61 cm) wide appliance

The preferred method of attaching the panel to the door is to clamp the panel to the door so it cannot move while drilling the screw pilot holes. Use bar clamps or "C" clamps with pads on the clamping surfaces that will not mar the panel or the door. The custom overlay panel should be flush with the top of the door and centered along the width of the door. See Figure 12a. Drill holes through the gasket extrusion using the 10 holes as pilot holes. Use the drill size from the chart in Table "C", being careful not to drill through the front surface of the panel, drill no deeper than 1/2" (12.7 mm) deep. If the overlay panel is thinner than 5/8" (16 mm) thick shorter screws will have to be obtained. Fasten the panel to the door with the 10 screws provided in the literature pack. (See Figure 21). Remove the clamps and replace the gasket in the gasket extrusion channels of the door. Some force may be required to seat the gasket into the channels. Be sure the gasket corners are seated properly.

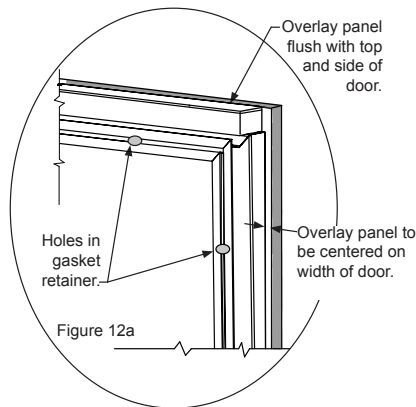


Figure 12a

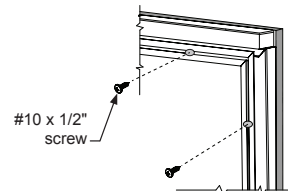


Figure 21

| Material Type | #10 Wood Screw                     |
|---------------|------------------------------------|
| Hardwood      | 5/8" (3.2 mm) Diameter. Pilot Hole |
| Softwood      | 7/8" (2.8 mm) Diameter. Pilot Hole |

Table C