

15" Marvel Professional Beverage Center

Model # MP15BC****



Certified to meet ENERGY STAR® requirements

- Dynamic Cooling Technology™ delivers rapid cooldown and the industry's best temperature stability
- Soft-close integrated hinge provides a seamless zero clearance installation and a smooth, gentle close
- MARVEL Intuit™ Integrated Controls ensure precise temperature management from 34°F to 42°F
- Two-stage, soft blue theatre-style LED lighting and sophisticated midnight black interior
- Cantilevered, fully adjustable shelving system with stainless fronts
- Thermal-efficient cabinet ensures optimum food preservation and energy efficiency while maximizing capacity
- Tinted, UV-resistant dual pane glass door protects wine from damaging ultra-violet light
- Panel overlay option features soft-close integrated hinge for a truly flush fit with cabinetry
- Audible and visual alarms signal when door is left ajar to protect food integrity and energy use.
- Vacation/Sabbath mode conserves energy during times when the unit is not in use and complies with Star-K requirements
- Height adjustment up to 1" with leveling legs
- Filler kit available for 18" wide opening,
- 3-year warranty



Ordering Details	
Stainless Frame Glass Door, Right Hinge	MP15BCG1RS
Stainless Frame Glass Door, Left Hinge	MP15BCG1LS
Panel Overlay Frame Glass Door, Integrated Right Hinge	MP15BCF3RP
Panel Overlay Frame Glass Door, Integrated Left Hinge	MP15BCF3LP

No panel installation kit required.

Storage Capacity

Up to (35) 12-oz cans and (5) wine bottles

Storage Configuration

(2) cantilevered, full-width black steel-framed glass shelves

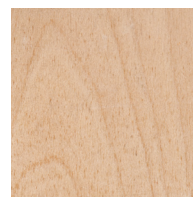
Product Dimensions

14⁷/₈" W x 33³/₄" minimum H x 25⁵/₈" D (including handle)

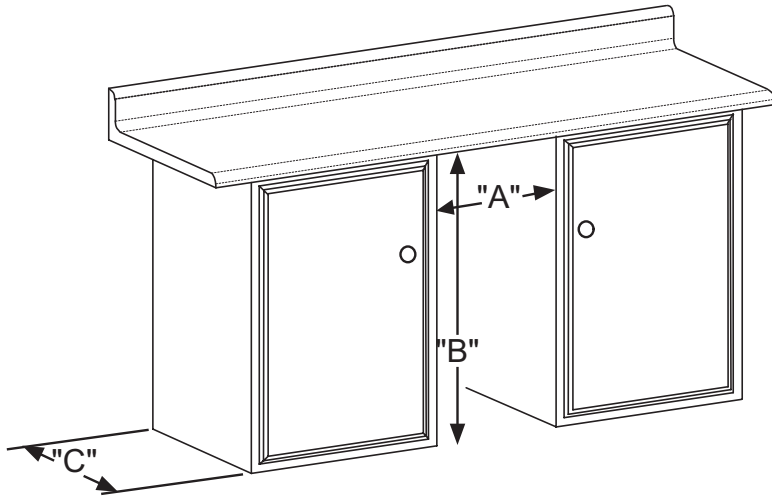
Finish/Door Options



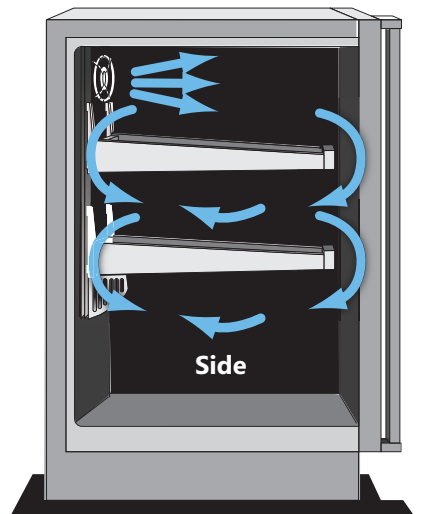
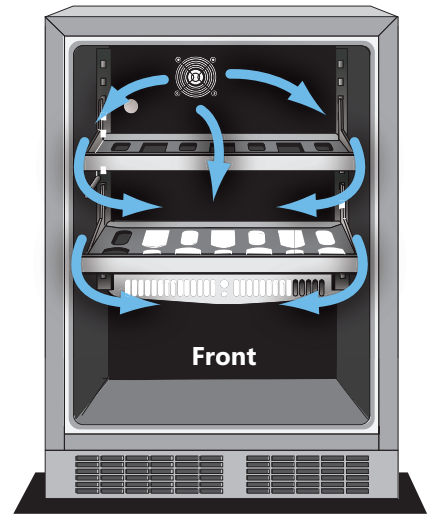
Stainless Steel



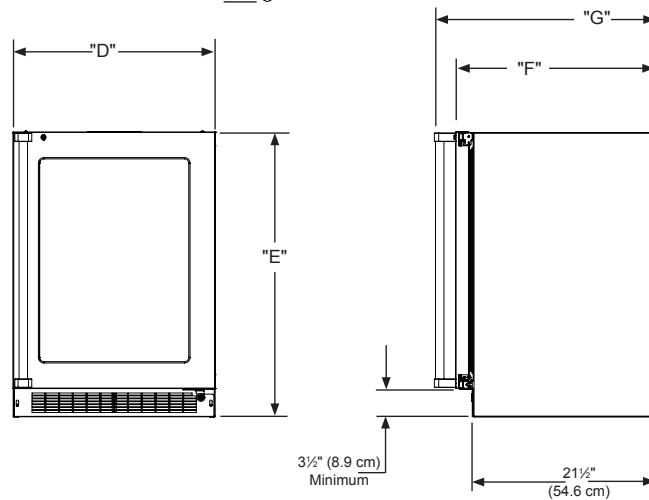
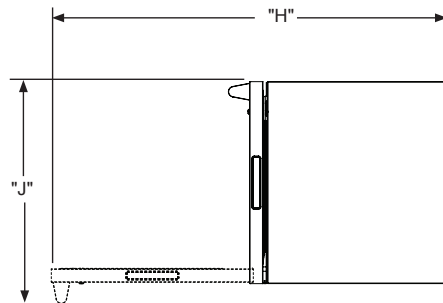
Wood Overlay (Panel Ready)



15" Rough-In Dimensions		
"A"	"B"	"C"
15" (38.1 cm)	**34" to 35" (86.4 to 88.9 cm)	24" (61 cm)



Cabinet Dimensions		
"D"	"E"	"F"
14 7/8" (37.8 cm)	33 3/4" to 34 3/4" (85.7 to 88.3 cm)	23 23/32" (60.2 cm)
"G"	"H"	"J"
26 7/32" (66.6 cm)	37 13/32" (95 cm)	17 7/16" (44.3 cm)



Dynamic Cooling Technology™ delivers rapid cool down and the industry's best temperature stability

The distinctive Marvel design features a thermal-efficient cabinet and door combined with Dynamic Cooling Technology™ for superior temperature stability, faster cooling times and speedy temperature recovery even with high frequency.

Width	14 7/8"
Interior Finish	Black
Capacity	Up to 5 wine bottles Up to 35 12-oz cans
Shelving System	Side Mount Bottle shape wire
Shelf Fronts	Stainless Steel
Other Storage	
Interior Lighting	2 LED Pods
Toe Grill Finish	Stainless Steel
Hinge	Soft Close Integrated Hinge
Handle	Professional

Control Type	Intuit™
Temperature Range	34° - 42° F
Lock	Yes
Electrical Requirements	120V / 60Hz / 15A
Length of Power Cord	5'
Product Dimensions	14 7/8" W x 33 3/4" H x 21 1/2" D
Depth to Front of Door	23 23/32"
Depth to Handle	26 7/32"
Depth with door at 90°	37 13/32"
Shipping Weight	125 lbs

Finishes	SS, O
Vacation / Sabbath Mode	Yes
Agency Approvals	CSA
Energy Star Certified	

Finishes Key

SS = Stainless Steel
O = Overlay

Overlay Panels

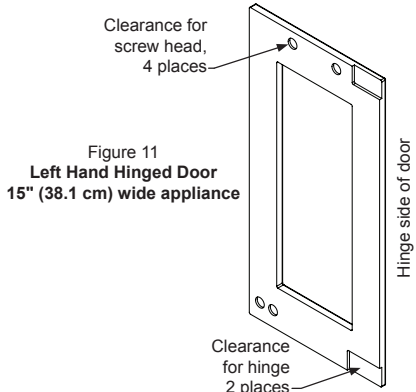


Figure 11
Left Hand Hinged Door
15" (38.1 cm) wide appliance

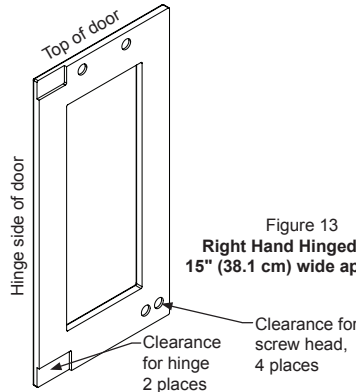


Figure 13
Right Hand Hinged Door
15" (38.1 cm) wide appliance

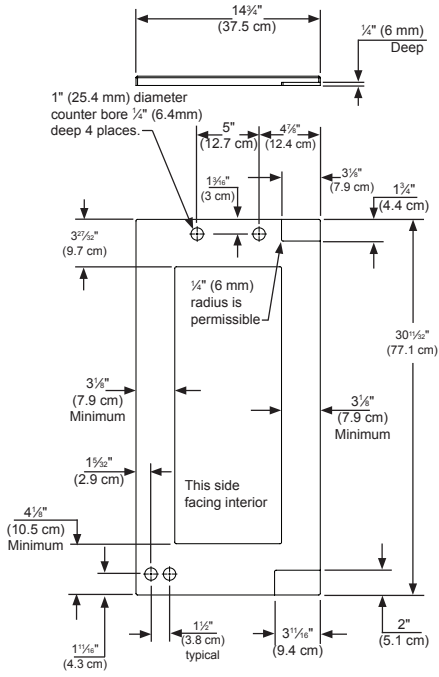


Figure 12
Left Hand Hinged Door
15" (38.1 cm) Wide Appliance

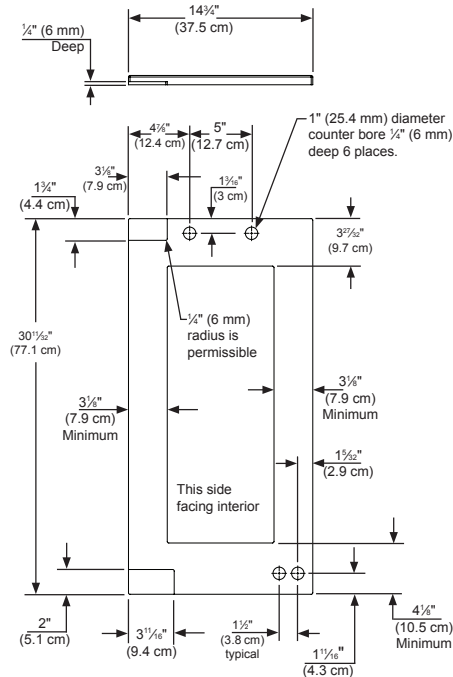
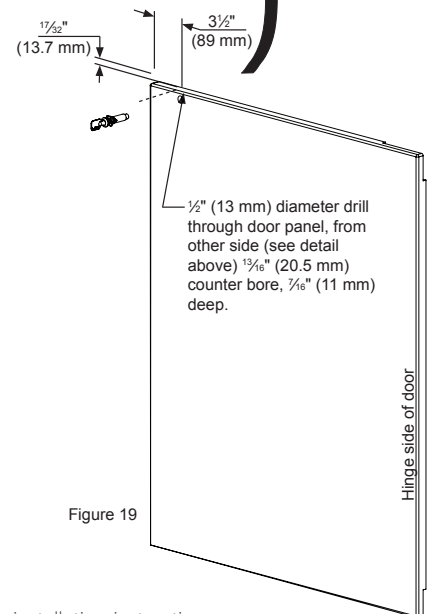
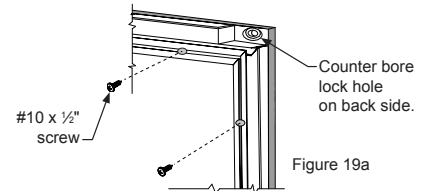


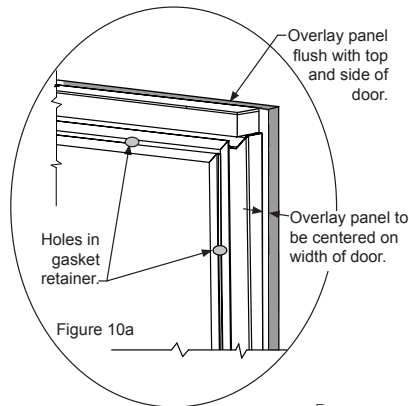
Figure 14
Right Hand Hinged Door
15" (38.1 cm) wide appliance



Material Type	#10 Wood Screw
Hardwood	1/8" (3.2 mm) Diameter. Pilot Hole
Softwood	3/64" (2.8 mm) Diameter. Pilot Hole

Table C

The preferred method of attaching the panel to the door is to clamp the panel to the door so it cannot move while drilling the screw pilot holes. Use bar clamps or "C" clamps with pads on the clamping surfaces that will not mar the panel or the door. The custom overlay panel should be flush with the top of the door and centered along the width of the door. See Figure 10a. Drill holes through the gasket extrusion using the 10 holes as pilot holes. Use the drill size from the chart in Table "C", being careful not to drill through the front surface of the panel, drill no deeper than 1/2" (12.7 mm) deep. If the overlay panel is thinner than 3/8" (16 mm) thick shorter screws will have to be obtained. Fasten the panel to the door with the 10 screws provided in the literature pack. (See Figure 19a). Remove the clamps and replace the gasket in the gasket extrusion channels of the door. Some force may be required to seat the gasket into the channels. Be sure the gasket corners are seated properly.



For comprehensive installation instructions, please visit www.marvelrefrigeration.com