

24" Marvel Professional Beverage Refrigerator with MaxStore™ Utility Bin

Model #MP24BR****



Certified to meet ENERGY STAR® requirements

- Dynamic Cooling Technology™ delivers rapid cooldown and the industry's best temperature stability
- Slide out convertible shelf—beverage storage or wine rack configurations with stainless shelf front
- Professional styling: framed stainless steel door, sturdy full-length handle, sleek stainless shelf fronts and 4" stainless steel toe kick
- MARVEL Intuit™ Integrated Controls provide precise temperature management from 34°F to 42°F
- Two-stage, soft blue theatre-style LED lighting and sophisticated midnight black interior
- MaxStore™ smooth-glide clear utility bin provides maximum volume to effectively store large, bulky or loose items
- Thermal-efficient cabinet ensures optimum food preservation and energy efficiency while maximizing capacity
- Tinted, UV-resistant dual pane glass door protects wine from damaging ultra-violet light
- Audible and visual alarms signal when door is left ajar to protect food integrity
- Vacation/Sabbath mode conserves energy during times when the unit is not in use and complies with Star-K requirements
- Door lock to protect your contents
- Height adjustment up to 1" with leveling legs
- 3-year warranty



Storage Capacity

Up to 20 wine bottles total (7 flat)
Up to (162) 12-oz cans

Storage Configuration

- (1) full-width and roll out
- (1) half-width cantilevered, fully adjustable black powder coated steel-framed glass shelf
- (1) fixed black steel-framed glass shelf
- (1) MaxStore™ Utility Bin

Product Dimensions

23⁷/₈" W x 33³/₄" minimum H x 25 ⁵/₈" D (including handle)

Finish/Door Options



Stainless Steel

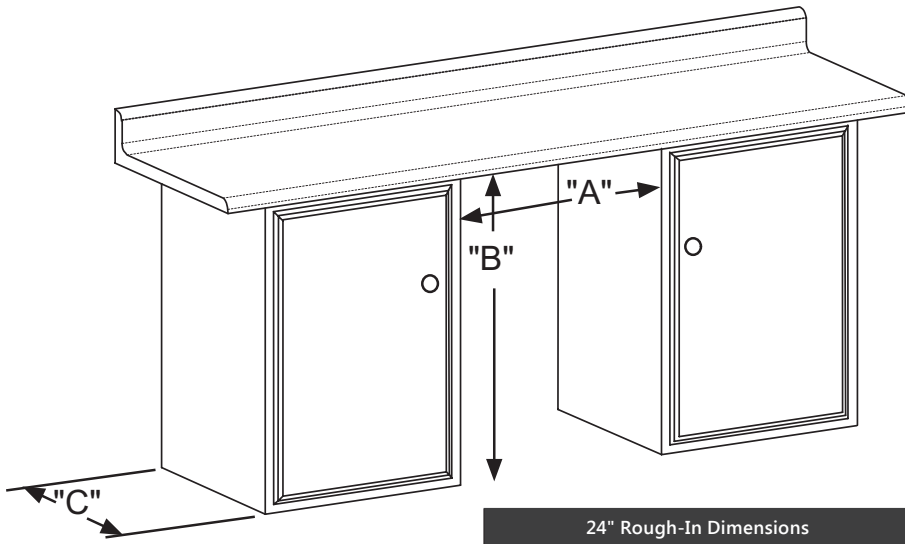


Wood Overlay
(Panel Ready)

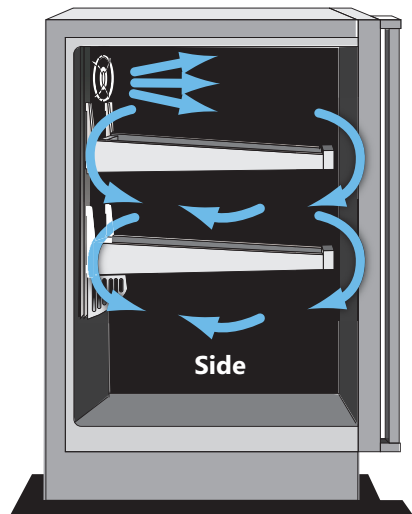
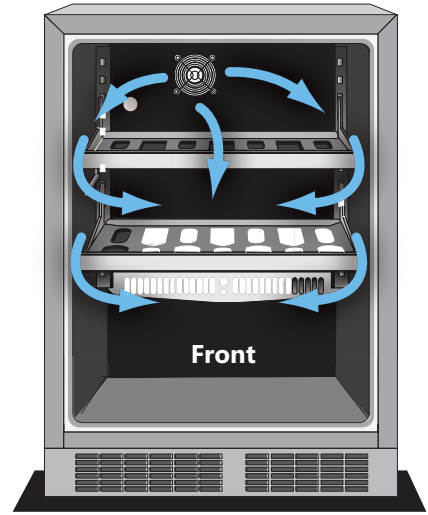
Ordering Details

Stainless Frame, Glass Door With Lock, Integrated Right Hinge	MP24BRG3RS
Stainless Frame, Glass Door With Lock, Integrated Left Hinge	MP24BRG3LS
Panel Overlay Frame Ready Glass Door with lock, Integrated Right Hinge	MP24BRF3RP
Panel Overlay Frame Ready Glass Door with lock, Integrated Left Hinge	MP24BRF3LP

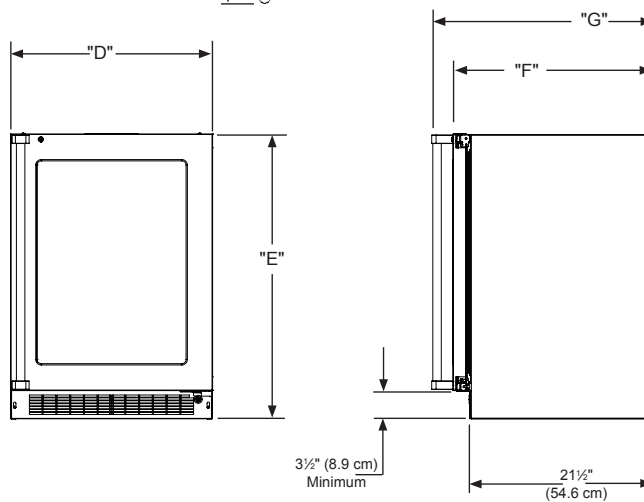
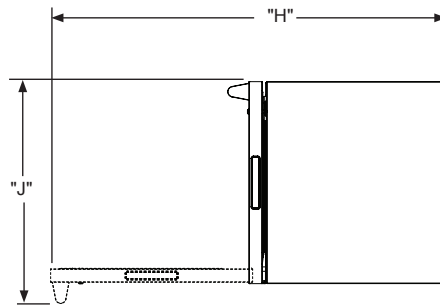
No panel installation kit required.



24" Rough-In Dimensions		
"A"	"B"	"C"
24" (61 cm)	34" to 35" (86.4 cm to 88.9 cm)	24" (61 cm)



Cabinet Dimensions		
"D"	"E"	"F"
23 7/8" (60.7 cm)	33 3/4" to 34 3/4" (85.7 to 88.3 cm)	23 23/32" (60.2 cm)
"G"	"H"	"J"
26 7/32" (66.6 cm)	46 1 3/32" (117.9 cm)	26 7/16" (67.2 cm)



Dynamic Cooling Technology™ delivers rapid cool down and the industry's best temperature stability

The distinctive Marvel design features a thermal-efficient cabinet and door combined with Dynamic Cooling Technology™ for superior temperature stability, faster cooling times and speedy temperature recovery even with high frequency.

Width	23 7/8"
Interior Finish	Black
Capacity	Up to 20 wine bottles Up to 162 12-oz cans
Shelving System	Side Mount Bottle shape wire
Shelf Fronts	Stainless Steel
Other Storage	MaxStore™ Utility Bin
Interior Lighting	2 LED Pods
Toe Grill Finish	Stainless Steel
Hinge	Soft Close Integrated Hinge
Handle	Professional

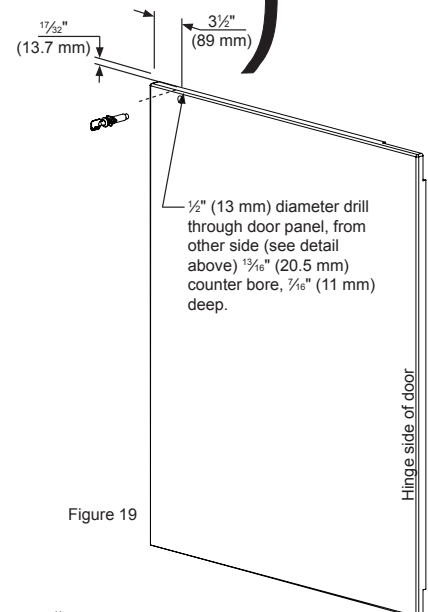
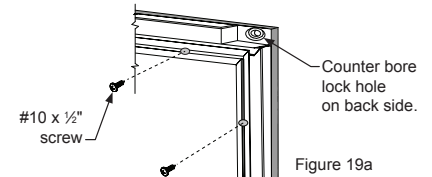
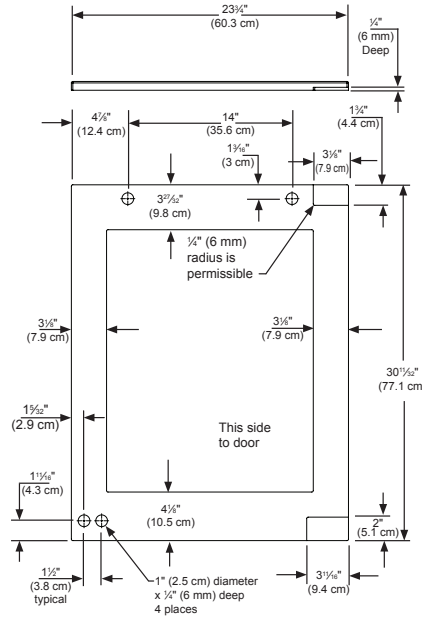
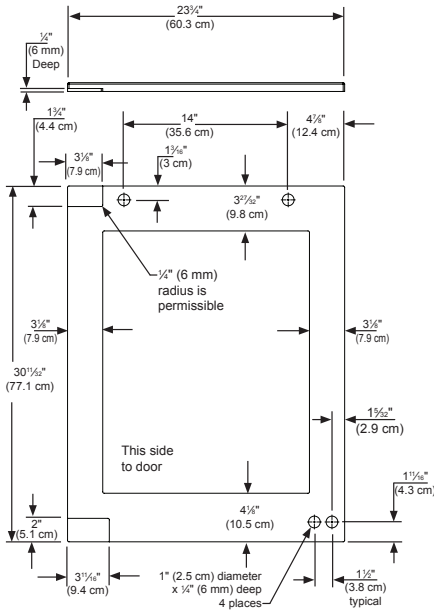
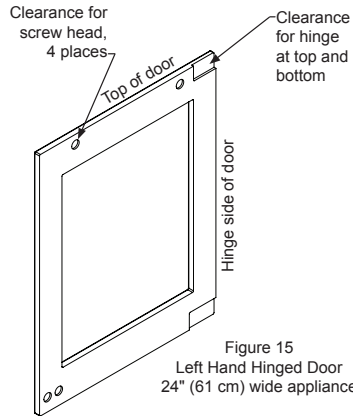
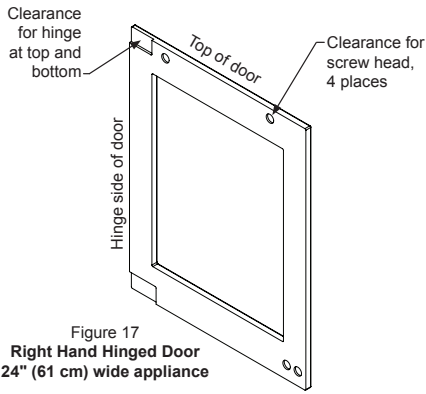
Control Type	Intuit™
Temperature Range	34° - 42° F
Lock	Yes
Electrical Requirements	120V / 60Hz / 15A
Length of Power Cord	5'
Product Dimensions	23 7/8" W x 33 3/4" H x 21 1/2" D
Depth to Front of Door	23 23/32"
Depth to Handle	26 7/32"
Depth with door at 90°	46 13/32"
Shipping Weight	160 lbs

Finishes	SS, O
Vacation / Sabbath Mode	Yes
Agency Approvals	CSA
ENERGY STAR Certified	

Finishes Key

SS = Stainless Steel
O = Overlay

Overlay Panels



Material Type	#10 Wood Screw
Hardwood	1/8" (3.2 mm) Diameter. Pilot Hole
Softwood	3/64" (2.8 mm) Diameter. Pilot Hole

Table C

The preferred method of attaching the panel to the door is to clamp the panel to the door so it cannot move while drilling the screw pilot holes. Use bar clamps or "C" clamps with pads on the clamping surfaces that will not mar the panel or the door. The custom overlay panel should be flush with the top of the door and centered along the width of the door. See Figure 10a. Drill holes through the gasket extrusion using the 10 holes as pilot holes. Use the drill size from the chart in Table "C", being careful not to drill through the front surface of the panel, drill no deeper than 1/2" (12.7 mm) deep. If the overlay panel is thinner than 5/8" (16 mm) thick shorter screws will have to be obtained. Fasten the panel to the door with the 10 screws provided in the literature pack. (See Figure 19a). Remove the clamps and replace the gasket in the gasket extrusion channels of the door. Some force may be required to seat the gasket into the channels. Be sure the gasket corners are seated properly.

