

24" Marvel Professional High-Efficiency Dual Zone Wine Cellar

Model # MP24WD****

- Dynamic Cooling Technology™ delivers rapid cooldown and the industry's best temperature stability
- Soft-close integrated hinge provides seamless zero clearance installation and a smooth, gentle close
- Professional styling: framed stainless steel door, sturdy full-length handle, sleek stainless shelf fronts and 4" adjustable stainless steel toe kick
- MARVEL Intuit™ Integrated Controls provide precise temperature management from 45°F to 62°F, allowing you to specifically set each cabinet temperature to your preference
- Two independently monitored zones to store your wine collection at separate temperatures
- Two-stage, soft blue theatre-style LED lighting and sophisticated midnight black interior
- Heavy-gauge wine racks are shaped to safely cradle each wine bottle
- Full-extension ball bearing smooth-glide shelf system prevents jarring
- Thermal-efficient cabinet ensures optimum preservation and energy efficiency while maximizing capacity
- Tinted, UV-resistant dual pane glass door protects wine from damaging ultra-violet light
- Audible and visual alarms signals when door is left ajar to protect wine integrity and energy use
- Vacation/Sabbath mode conserves energy during times when the unit is not in use and complies with Star-K requirements
- Door lock to protect your collection
- Height adjustment up to 1" with leveling legs
- Up to 2x more efficient than leading competitors
- 3-year warranty



Storage Capacity

Up to 40 bottles total

Storage Configuration

Upper zone: (3) 8-bottle smooth-glide full wine racks

Lower zone: (1) 8-bottle smooth-glide full wine rack and (2) 4-bottle smooth-glide half-depth wine racks

Product Dimensions

23 7/8" W x 33 3/4" H (minimum) x 25 5/8" D (including handle)

Finish/Door Options



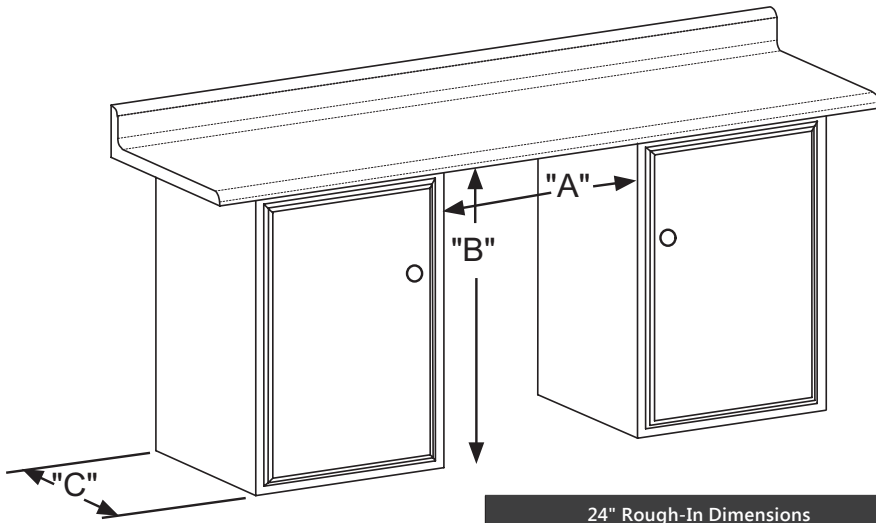
Stainless Steel



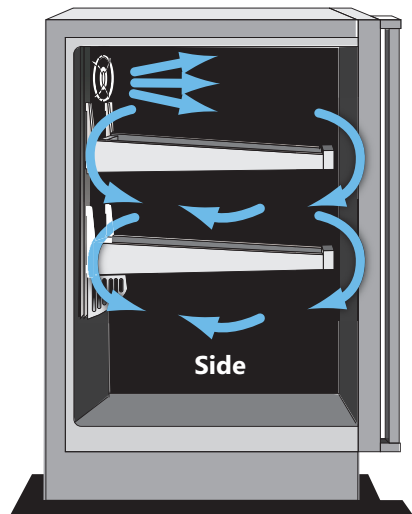
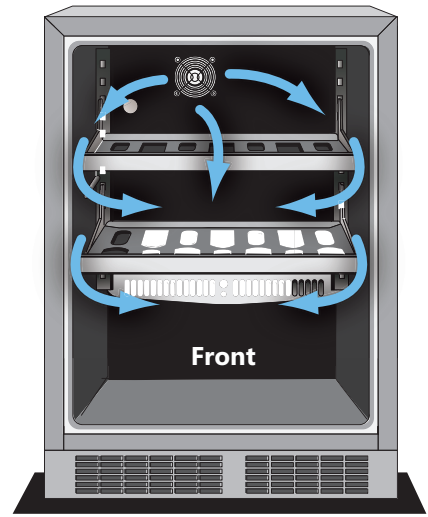
Wood Overlay (Panel Ready)

Ordering Details	
Stainless Frame, Glass Door With Lock, Integrated Right Hinge	MP24WDG4RS
Stainless Frame, Glass Door With Lock, Integrated Left Hinge	MP24WDG4LS
Panel Overlay Frame Ready Glass Door, Integrated Right Hinge With lock	MP24WDF4RP
Panel Overlay Frame Ready Glass Door, Integrated Left Hinge With lock	MP24WDF4LP

No panel installation kit required.



24" Rough-In Dimensions		
"A"	"B"	"C"
24" (61 cm)	**34" to 35" (86.4 to 88.9 cm)	24" (61 cm)



Cabinet Dimensions		
"D"	"E"	"F"
23 7/8" (60.7 cm)	33 3/4" to 34 3/4" (85.7 to 88.3 cm)	23 23/32" (60.2 cm)
"G"	"H"	"J"
26 7/32" (66.6 cm)	46 13/32" (117.9 cm)	26 7/16" (67.2 cm)

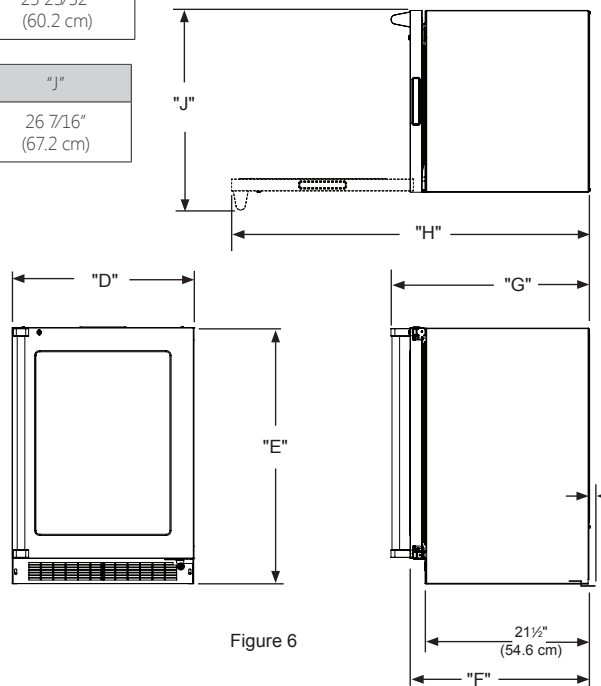


Figure 6

Dynamic Cooling Technology™ delivers rapid cool down and the industry's best temperature stability

The distinctive Marvel design features a thermal-efficient cabinet and door combined with Dynamic Cooling Technology™ for superior temperature stability, faster cooling times and speedy temperature recovery even with high frequency.

Width	23 7/8"
Interior Finish	Black
Capacity	Up to 20 wine bottles Up to 162 12-oz cans
Shelving System	Side Mount Bottle shape wire
Shelf Fronts	Stainless Steel
Other Storage	
Interior Lighting	2 LED Pods
Toe Grill Finish	Stainless Steel
Hinge	Soft Close Integrated Hinge
Handle	Professional

Control Type	Intuit™
Temperature Range	34° - 42° F
Lock	Yes
Electrical Requirements	120V / 60Hz / 15A
Length of Power Cord	5'
Product Dimensions	23 7/8" W x 33 3/4" H x 21 1/2" D
Depth to Front of Door	23 23/32"
Depth to Handle	26 7/32"
Depth with door at 90°	46 13/32"
Shipping Weight	160 lbs

Finishes	SS, O
Vacation / Sabbath Mode	Yes
Agency Approvals	CSA
Energy Star Certified	NA

Finishes Key

SS = Stainless Steel
O = Overlay

Overlay Panels

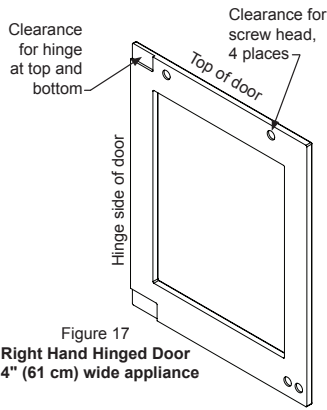


Figure 17
Right Hand Hinged Door
24" (61 cm) wide appliance

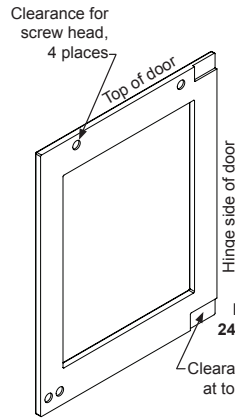


Figure 15
Left Hand Hinged Door
24" (61 cm) wide appliance

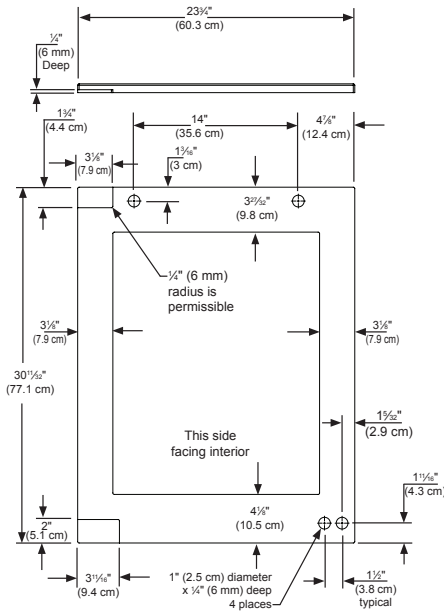


Figure 18
Right Hand Hinged Door
24" (61 cm) wide appliance

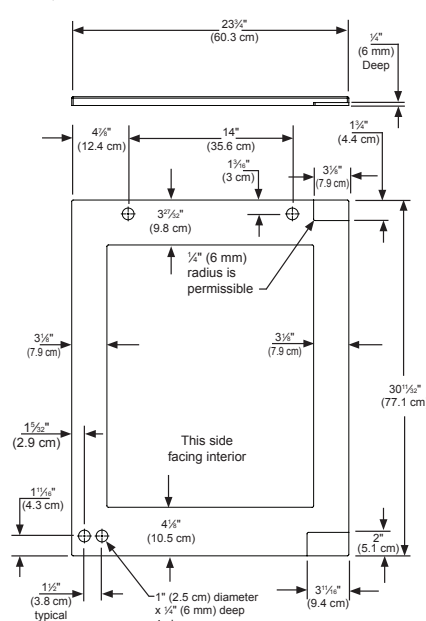


Figure 16
Left Hand Hinged Door
24" (61 cm) wide appliance

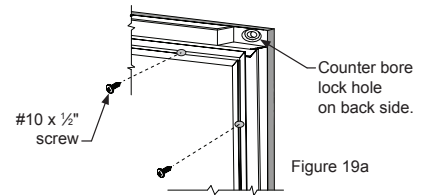


Figure 19a

Material Type	#10 Wood Screw
Hardwood	1/8" (3.2 mm) Diameter. Pilot Hole
Softwood	3/16" (2.8 mm) Diameter. Pilot Hole

Table C

The preferred method of attaching the panel to the door is to clamp the panel to the door so it cannot move while drilling the screw pilot holes. Use bar clamps or "C" clamps with pads on the clamping surfaces that will not mar the panel or the door. The custom overlay panel should be flush with the top of the door and centered along the width of the door. See Figure 10a. Drill holes through the gasket extrusion using the 10 holes as pilot holes. Use the drill size from the chart in Table "C", being careful not to drill through the front surface of the panel, drill no deeper than 1/2" (12.7 mm) deep. If the overlay panel is thinner than 1/2" (16 mm) thick shorter screws will have to be obtained. Fasten the panel to the door with the 10 screws provided in the literature pack. (See Figure 19a). Remove the clamps and replace the gasket in the gasket extrusion channels of the door. Some force may be required to seat the gasket into the channels. Be sure the gasket corners are seated properly.

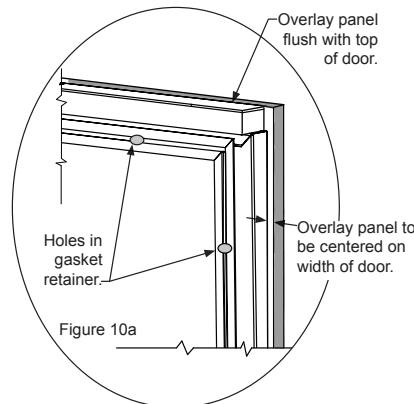


Figure 10a

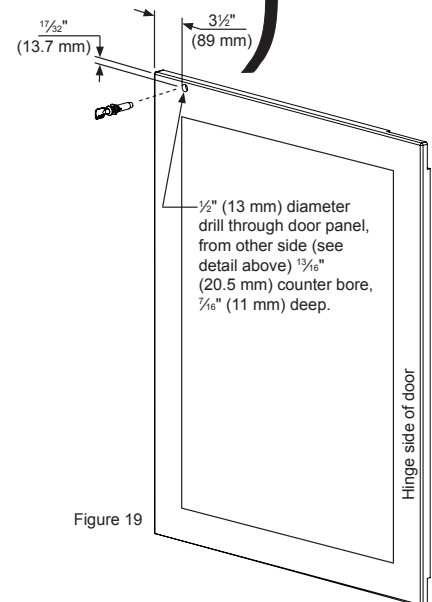


Figure 19