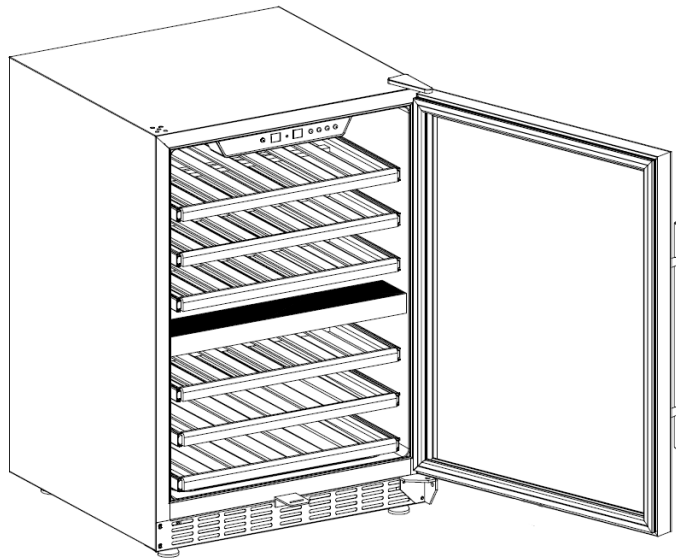




BUILT-IN TWO-ZONE WINE COOLER

Model SWC532LBIST



Owner's Manual

**BEFORE USE, PLEASE READ AND FOLLOW
ALL SAFETY RULES AND OPERATING INSTRUCTIONS**

Write the Serial Number here:

**Felix Storch, Inc.
Summit Appliance Division
770 Garrison Avenue
Bronx, NY 10474
www.summitappliance.com**

TABLE OF CONTENTS

Important Safety Instructions	2 – 3
Location of Parts	4
Installation Instructions	5 – 7
<i>Before Using Your Wine Cooler</i>	5
<i>Installation of Your Wine Cooler</i>	5 - 6
<i>Reversing the Door Swing</i>	6 - 7
Operating Your Wine Cooler	8 – 10
<i>Recommended Temperatures for Chilling Wine</i>	8
<i>Control Panel</i>	8
<i>ON/OFF Power</i>	8
<i>RUN Light</i>	8
<i>Setting the Temperature Control</i>	8 - 9
<i>Interior Light</i>	9
<i>Door Lock</i>	9
<i>Defrosting</i>	9
<i>Storage of Wine Bottles</i>	10
Care and Maintenance	10 – 12
<i>Cleaning Your Wine Cooler</i>	10
<i>To Remove a Sliding Shelf</i>	11
<i>Replacement of the LED Light</i>	11
<i>Power Failure</i>	11
<i>Vacation Time</i>	11
<i>Transporting Your Wine Cooler</i>	11 - 12
<i>Energy-Saving Tip</i>	12
Technical Information	12
Problems with Your Wine Cooler	13
Limited Warranty	15

IMPORTANT SAFETY INSTRUCTIONS

⚡WARNING⚡ To reduce the risk of fire, electrical shock or injury when using your appliance, follow these basic precautions

- Read all instructions before using the wine cooler.
- Plug into a grounded 3-prong outlet. Do not remove grounding prong, do not use an adapter, and do not use an extension cord.
- It is recommended that a separate circuit, serving only your wine cooler, be provided. Use receptacles that cannot be turned off by a switch or pull chain.
- Never clean wine cooler parts with flammable fluids. These fumes can create a fire hazard or explosion.
- Before proceeding with cleaning and maintenance operations, make sure the power line of the unit is disconnected.
- Do not connect or disconnect the electric plug when your hands are wet.
- Unplug the wine cooler or disconnect the power before cleaning or servicing. Failure to do so can result in electrical shock or death.
- Do not attempt to repair or replace any part of your appliance unless it is specifically recommended in this manual. All other servicing should be referred to a qualified technician.
- Do not store or use gasoline or any other flammable vapors and liquids in the vicinity of this or any other appliance. The fumes can create a fire hazard or explosion.
- Use two or more people to move and install the wine cooler. Failure to do so can result in back or other injury.
- To ensure proper ventilation for your appliance, the front of the unit must be completely unobstructed. Choose a well-ventilated area with temperatures above 61°F (16°C) and below 95°F (35°C). This unit must be installed in an area protected from the elements, such as wind, rain, water spray or drips.
- The wine cooler should not be located next to ovens, grills or other sources of high heat.
- For optimum energy conservation, locate the wine cooler in the coolest area of the room, away from heat-producing appliances and out of direct sunlight.
- The wine cooler must be installed with all electrical connections in accordance with state and local codes. A standard electrical supply (115V AC only, 60 Hz), properly grounded in accordance with the National Electrical Code and local codes and ordinances, is required.
- Do not kink or pinch the power supply cord of the appliance.
- The fuse (or circuit breaker) size should be 15 amps.
- It is important for the wine cooler to be leveled in order to work properly. You may need to make several adjustments to level it.
- Although the unit has been tested at the factory, due to transit and storage, you should clean

the appliance before use.

- Do not use solvent-based cleaning agents or abrasives on the interior. These cleaners may damage or discolor the interior.
- Do not use this apparatus for other than residential purposes.
- This appliance is CFC- and HFC-free and contains small quantities of Isobutane (R600a) which is environmentally friendly, but flammable. It does not damage the ozone layer, nor does it increase the greenhouse effect. Care must be taken during transportation and setting up of the appliance that no parts of the cooling system are damaged. Leaking coolant can ignite and may damage the eyes.

In the event of any damage:

- Avoid open flames and anything that creates a spark,
 - Disconnect from the electrical power line,
 - Air the room in which the appliance is located for several minutes, and
 - Contact the Service Department for advice.
- The more coolant there is in an appliance, the larger the room it should be installed in. In the event of a leakage, if the appliance is in a small room, there is the danger of combustible gases building up. For every ounce of coolant at least 325 cubic feet of room space is required. The amount of coolant in the appliance is stated on the data plate on the back of the appliance. It is hazardous for anyone other than an Authorized Service Person to carry out servicing or repairs to this appliance.
 - Take serious care when handling, moving, and using the appliance to avoid either damaging the refrigerant tubing or increasing the risk of a leak.
 - Replacing component parts and servicing shall be done by factory-authorized service personnel so as to minimize the risk of possible ignition due to incorrect parts or improper service.
 - This appliance is designed to be used in household and similar non-retail applications. Do not use this appliance for any but its intended purpose.

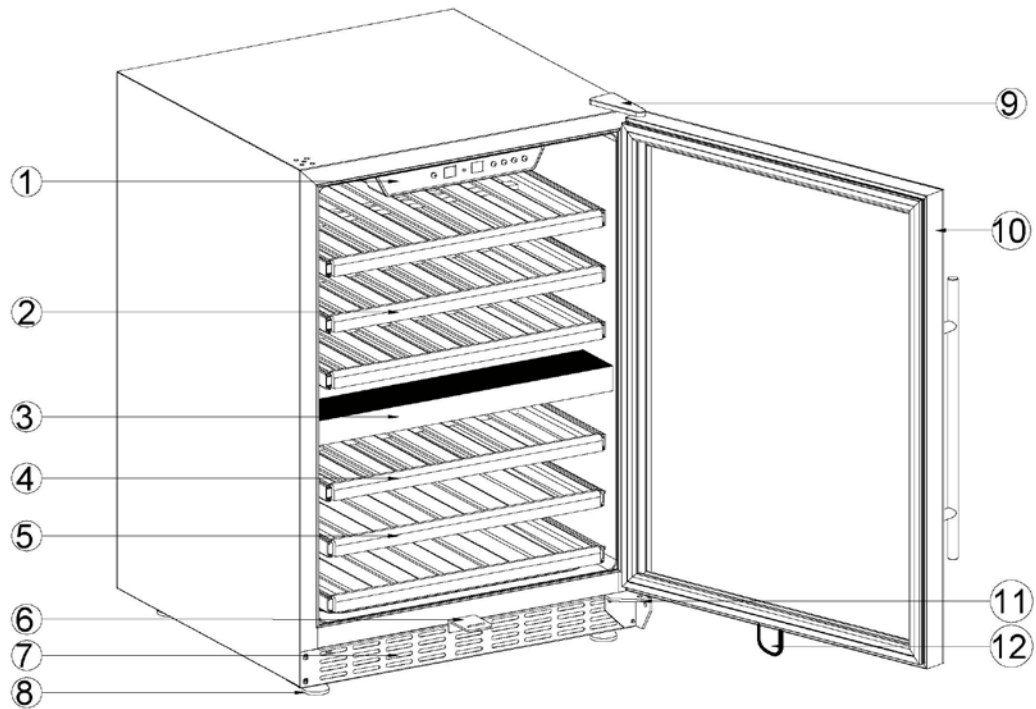
DANGER! *Risk of child entrapment*

Child entrapment and suffocation are not problems of the past. Junked or abandoned appliances are still dangerous, even if they will “just sit for a few days”.

- **Before you throw away your old wine cooler or any appliance:** Remove the door. Leave the shelves in place so that children may not easily climb inside.
- Never allow children to operate, play with, or crawl inside the appliance.

- SAVE THESE INSTRUCTIONS -

LOCATION OF PARTS



- | | |
|------------------------------|-----------------------------------|
| 1. Control panel | 7. Front vent |
| 2. Large shelf in upper zone | 8. Adjustable feet |
| 3. Air-duct board | 9. Upper hinge |
| 4. Large shelf in lower zone | 10. Door (with handle and gasket) |
| 5. Small shelf in lower zone | 11. Lower hinge |
| 6. Lock hook | 12. Lock |

INSTALLATION INSTRUCTIONS

Before Using Your Wine Cooler

Remove the exterior and interior packing.

Before connecting the wine cooler to the power source, let it stand upright for approximately 2 hours. This will reduce the possibility of a malfunction in the cooling system from handling during transportation.

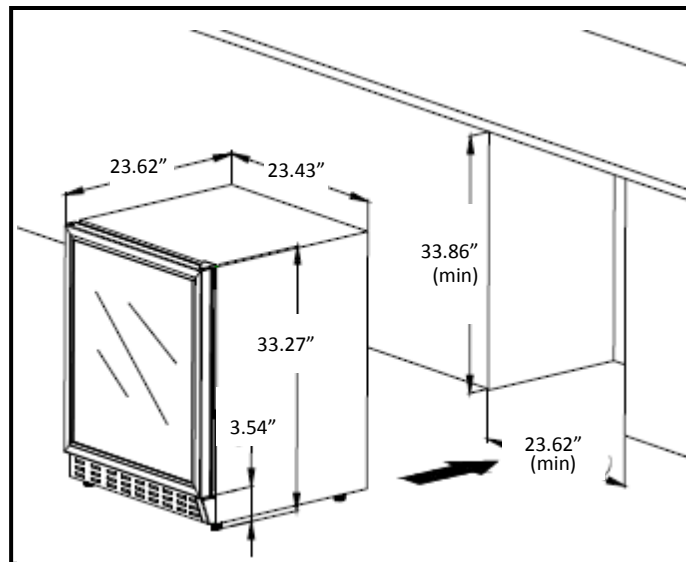
Clean the interior surface with lukewarm water using a soft cloth.

This appliance is especially designed for the storage of wine; do not use it for other purposes.

Installation of Your Wine Cooler

This appliance is designed for free standing or built-in (fully recessed) installation. If free standing, the unit should have at least 4" of clearance at both sides, at the top and at the back to allow for adequate ventilation.

If the appliance is to be built-in, leave at least 3/16" at both sides, 1/16" at the top and 2" at the rear. Be sure that airflow under the appliance is not blocked. The diagram below shows the correct dimensions for under-counter installation:



Place your wine cooler on a floor that is strong enough to support it when it is fully loaded. To level your wine cooler, adjust the leveling legs at the bottom of the unit.

Locate the wine cooler away from direct sunlight and sources of heat (stove, heater, radiator, etc.). Direct sunlight may affect the exterior surface and heat sources may increase electrical consumption. Extremely cold or warm ambient

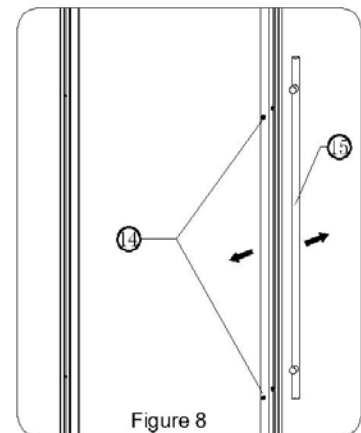
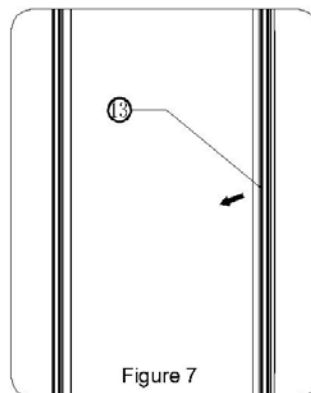
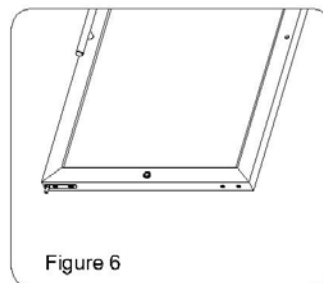
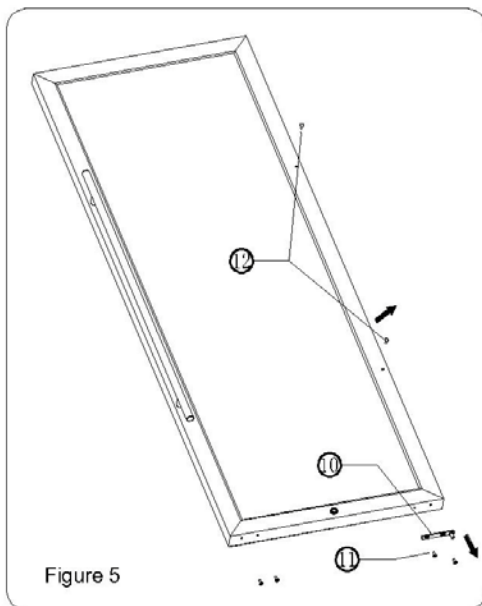
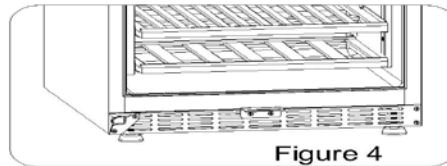
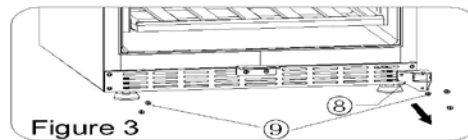
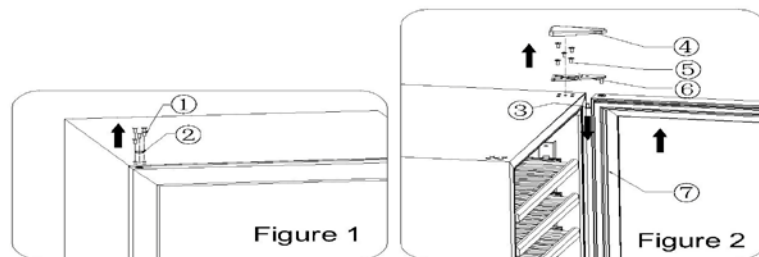
temperatures may also cause the unit to perform improperly.

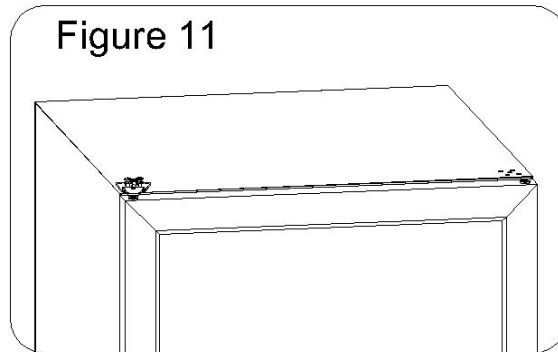
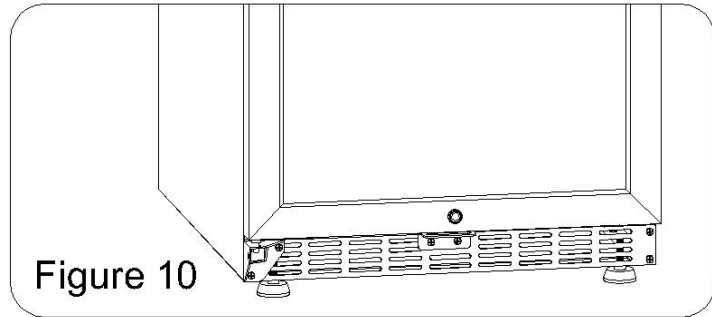
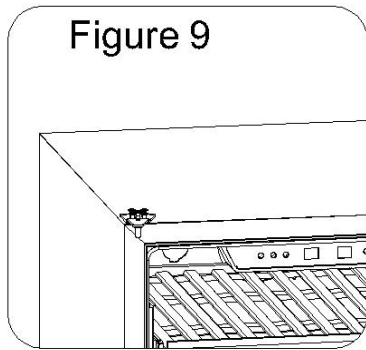
Avoid locating the unit in moist areas. Do not use an extension cord.

Plug the wine cooler into an exclusive, properly installed and grounded wall outlet. Do not under any circumstances cut or remove the third (ground) prong from the power cord. Any questions concerning power and/or grounding should be directed toward a certified or authorized products service center.

Reversing the Door Swing

This appliance has the capability of the door opening from either the left or right side. The unit is delivered to you with the door opening from the left side. Should you desire to reverse the opening direction, please follow these illustrations and instructions:





NOTE: All parts removed must be saved to allow the door swing to be reversed

1. Carefully use a sharp tool to pry up the decorative cap on the top of the cabinet and the cap of the door spindle. (Fig 1)
2. Open the door about 90°, unscrew the screw of the upper door hinge cover and remove the cover, then unscrew all the screws on the upper door hinge. Be sure to hold the door firmly after removing the screws, and take off the door. (Fig 2)
3. Remove the screw of the lower door hinge and the left side screw of the front vent (Fig 3), then install the lower door hinge at the designated position on the opposite side. (Fig 4)
4. Remove the screw of the door handle, then remove the bottom screw on the left side of the door and remove the lower support of the door (Fig 5). Install the lower support of the door on the opposite side. (Fig 6).
5. Gently pull open the middle section of the door gasket; you will see the handle screw hole (Fig 7). Remove the handle and install it on the opposite side.(Fig 8)
6. Loosely install the upper door hinge on the opposite side. (Fig 9)
7. Set the door onto the shaft of the lower door hinge (Fig 10), then fit the shaft of the upper door hinge into the top of the door (Fig 11) and tighten the screws. Adjust the door so it is aligned with the cabinet. Level the cabinet and tighten all the lock screws.

You also can call customer service for door reversal instructions if necessary.

OPERATING YOUR WINE COOLER

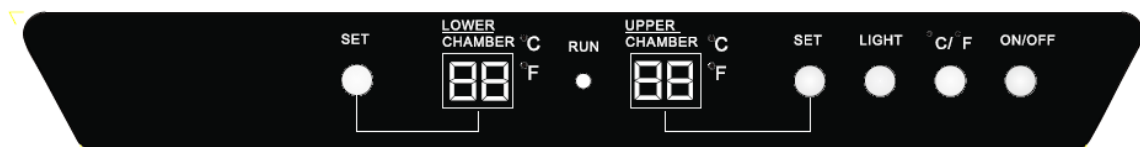
The wine cooler should be placed where the ambient temperature is between 61 and 95 degrees Fahrenheit (16-35°C). If the ambient temperature is above or below this range, the performance of the unit may be affected. For example, placing your unit in extremely cold or hot conditions may cause interior temperatures to fluctuate and the range of 41-72 degrees Fahrenheit (5-22°C) may not be reached.

Recommended Temperatures for Chilling Wine

Red Wines:	58-65°F (14-18°C)
Dry / White Wines	48-57°F (9-14°C)
Sparkling Wine	40-47°F (4-8°C)

Temperatures inside the unit may vary slightly depending on whether or not the interior light is ON or OFF or whether the bottles are located on the upper/middle or lower section.

Control Panel



ON/OFF Power

Connect the power cord to a properly grounded outlet. To turn the appliance on or off, press the ON/OFF button.

NOTE: This wine cooler has a protective delay function. The compressor will start to work about 3 to 5 minutes after it is powered on.

RUN Light

This light indicates when the compressor is working. While the compressor is operating, the red light is on. During down time in the operating cycle, this light is off.

Setting the Temperature Control

Each cooling chamber of the wine cooler (upper and lower) is independently controlled.

Set the desired cooling temperature by pressing one of the SET buttons. Each depression of the button will scroll through the available temperature settings (for each chamber) in increments of 1 degree. The temperature selected will flash in the LED display for approximately 5 seconds, then the display will revert back to

the internal cabinet temperature. The SET temperature is automatically saved.

Upper chamber: Temperature setting can be adjusted from 41 to 54°F (5 to 12°C).

Lower chamber: Temperature setting can be adjusted from 54 to 72°F (12 to 22°C).

To view the SET temperature of either chamber at any time, press the corresponding SET button. The SET temperature will show in the LED display for about 5 seconds, then the current internal temperature for that chamber will reappear.

In the event of a power interruption, all previous temperature settings are automatically saved and each chamber will keep the previous temperature setting. (The temperature preset at the factory is 41°F (5°C) for the upper chamber and 54°F (12°C) for the lower chamber.)

This unit has the option to display temperatures in either Fahrenheit or Celsius. To change the setting, press the °C/°F button. A green light will indicate whether Fahrenheit or Celsius temperatures are being displayed.

NOTES: If the unit is unplugged or turned off, or if there is a power failure, you must wait 3 to 5 minutes before restarting the unit. If you attempt to restart before this time delay, the wine cooler will not start.

When you use the wine cooler for the first time, or restart the wine cooler after it has been shut off for a long time, there could be a few degrees variation between the temperature you select and the one indicated on the LED readout. This is normal and is due to the length of the inactivation time. Once the wine cooler has been running for a few hours, it should operate normally.

Interior Light

You can turn the interior light on or off by pushing the button marked LIGHT. For best storage of wine, keep the light off except when viewing.

NOTE: The light goes off automatically after 10 minutes.

Door Lock

This unit can be secured with a lock and key. The keys are located inside the plastic bag that contains the *User's Manual*. Insert the key into the lock and turn it clockwise to lock the door, making sure the metal pin is engaged completely. To unlock the door, do the reverse. Remove the key and put it in a secure location.

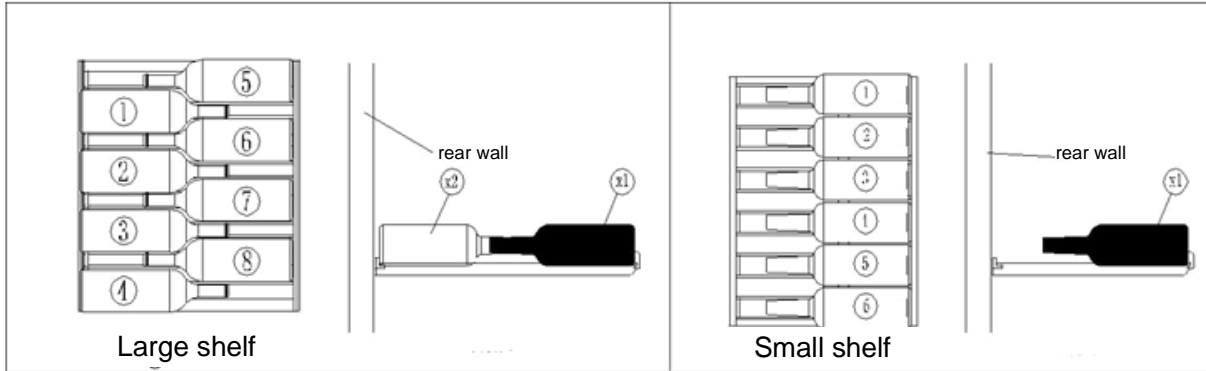
Defrosting

The wine cooler defrosts automatically during its operating cycle. The water resulting from the defrosting is collected in a drip tray near the compressor at the back where it is automatically evaporated. During the defrosting operation, the displayed temperature may be higher than the set temperature.

Storage of Wine Bottles

Your wine cooler was designed to store a maximum of 44 bottles in total security. We recommend that you observe the tips below to optimize loading:

- Each of the four large shelves can hold 8 bottles, and the two smaller shelves can each hold 6 bottles, arranged as shown here:



- Spread your bottles out as evenly as possible over the shelves, so that weight is not concentrated in one spot. Also make sure your bottles do not touch the back of the cabinet or the step at the bottom of the lower chamber.
- Make sure that bottles are not all grouped together at the top or bottom of the cabinet.
- Never stack more than one layer of bottles on a sliding shelf.
- Never try to pull out more than one sliding shelf at a time.

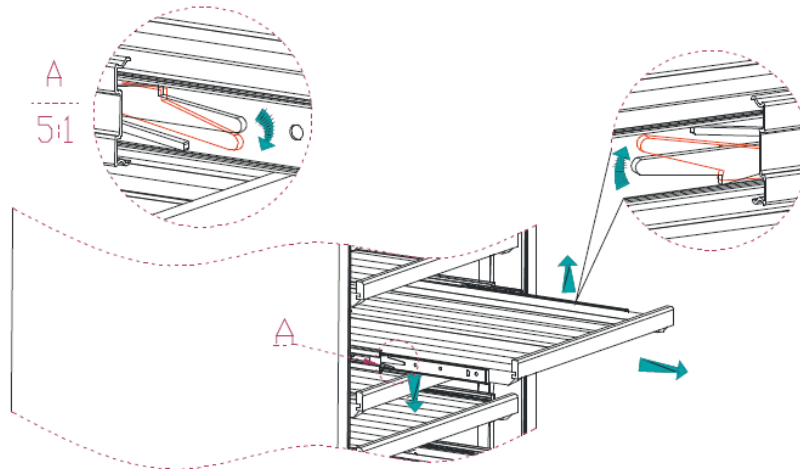
CARE AND MAINTENANCE

Cleaning Your Wine Cooler

1. Turn off the power, unplug the appliance, and remove all items including shelves. (See "To Remove a Sliding Shelf" below.).
2. Wash the inside surfaces with a warm water and baking soda solution. The solution should be about 2 tablespoons of baking soda to a quart of water.
3. Wash the shelves with a mild detergent solution.
4. Wring excess water out of the sponge or cloth when cleaning the area near the controls, or any electrical parts.
5. Wash the outside cabinet with warm water and a mild liquid detergent. Rinse well and wipe dry with a clean soft cloth. Clean the stainless steel trim with a product specifically designed for this use.

To Remove a Sliding Shelf

1. Remove all bottles from the shelf.
2. Pull the shelf out as far as it will go.
3. Adjust the lever on each side of the shelf, as shown below (down on the left, up on the right) and at the same time, pull the shelf out completely.



To raise or lower the position of the shelf, push up the sliding rails, making the front hook out of the shelf bracket, then pull the sliding rails outward to detach them from the shelf bracket. Reverse these steps to install rails in new location.

Replacement of the LED Light

Replacing the LED requires a qualified technician. First unscrew the 2 screws on the light cover, then remove the screw on the LED panel, and replace the light with one having the same specifications.

Power Failure

Most power failures are corrected within a few hours and should not affect the temperature of your appliance if you minimize the number of times the door is opened. If power is going to be off for a longer period of time, you need to take the proper steps to protect the contents of your wine cooler.

Vacation Time

Leave the wine cooler operating during vacations of less than three weeks. For periods longer than this, turn the wine cooler off and leave the door slightly ajar to prevent odor from building inside the appliance.

Transporting your Wine Cooler

If you need to move your wine cooler once the box has been discarded:

1. Securely tape down all loose items (shelves) inside your appliance.
2. Turn the adjustable legs up to the base to avoid damage.

3. Tape the door shut.
4. Be sure the appliance stays secure in the upright position during transportation. Also protect the outside of the appliance with a blanket or similar item.

Energy-Saving Tip

The wine cooler should be located in the coolest area of the room, away from heat producing appliances and out of direct sunlight.

TECHNICAL INFORMATION

Model Number	SWC532LBIST
Volume	5.43 cu.ft. (154 liters)
Bottle Capacity	44
Rated Voltage	110V AC
Rated Current	0.5A
Power Input	70W
Rated Frequency	60Hz
Refrigerant	R160a (30g, or 1 ounce)
Sound Level (db)	43
Climate Type	N
Net Weight	112 lbs (51kg)
Gross Weight	121 lbs (55kg)
Defrost Type	Automatic

PROBLEMS WITH YOUR WINE COOLER

You can solve many common wine cooler problems easily, saving you the cost of a possible service call. Try the suggestions below to see if you can solve the problem before calling a service technician.

TROUBLESHOOTING GUIDE

Problem	Possible Cause
Wine cooler does not operate.	Not plugged in. The appliance is turned off. The circuit breaker has tripped or a fuse has blown.
Wine cooler is not cold enough.	Check the temperature control settings. External environment may require higher settings. The door is opened too often. The door is not closed completely. The door gasket does not seal properly.
Turns on and off frequently.	The room temperature is hotter than normal. A large number of bottles has been added to the wine cooler. The door is opened too often. The door is not closed completely. The temperature controls are not set correctly. The door gasket does not seal properly.
The light does not work.	Not plugged in. The circuit breaker has tripped or fuse is blown. The bulb has burned out. The LIGHT button is off.
Vibrations	Check to be sure the wine cooler is level.
Wine cooler seems to be making too much noise.	Some noise may come from the flow of the refrigerant, which is normal. As each cycle ends, you may hear gurgling sounds caused by the flow of refrigerant in your wine cooler. Contraction and expansion of the inside walls may cause popping and crackling noises. The wine cooler is not level.
The door will not close properly.	The wine cooler is not level. The door was reversed and not properly installed. The gasket is dirty. The shelves are out of position.

This appliance is intended to be used exclusively for the storage of wine.

NOTES

LIMITED WARRANTY

ONE-YEAR LIMITED WARRANTY

Within the 48 contiguous United States, for one year from the date of purchase, when this appliance is operated and maintained according to instructions attached to or furnished with the product, warrantor will pay for factory-specified parts and repair labor to correct defects in materials or workmanship. Service must be provided by a designated service company. Outside the 48 states, all parts are warranted for one year from manufacturing defects. Plastic parts, shelves and cabinets are warranted to be manufactured to commercially acceptable standards, and are not covered from damage during handling or breakage.

5-YEAR COMPRESSOR WARRANTY

1. The compressor is covered for 5 years.
2. Replacement does not include labor.

ITEMS WARRANTOR WILL NOT PAY FOR:

1. Service calls to correct the installation of your appliance, to instruct you how to use your appliance, to replace or repair fuses or to correct wiring or plumbing.
2. Service calls to repair or replace appliance light bulbs or broken shelves. Consumable parts (such as filters) are excluded from warranty coverage.
3. Damage resulting from accident, alteration, misuse, abuse, fire, flood, acts of God, improper installation, installation not in accordance with electrical or plumbing codes, or use of products not approved by warrantor.
4. Replacement parts or repair labor costs for units operated outside the United States.
5. Repairs to parts or systems resulting from unauthorized modifications made to the appliance.
6. Expenses for travel and transportation for product service in remote locations.
7. The removal and reinstallation of your appliance if it is installed in an inaccessible location or is not installed in accordance with published installation instructions.

DISCLAIMER OF IMPLIED WARRANTIES - LIMITATION OF REMEDIES

CUSTOMER'S SOLE AND EXCLUSIVE REMEDY UNDER THIS LIMITED WARRANTY SHALL BE PRODUCT REPAIR AS PROVIDED HEREIN. IMPLIED WARRANTIES, INCLUDING WARRANTIES OF MERCHANTABILITY OR FITNESS FOR A PARTICULAR PURPOSE, ARE LIMITED TO ONE YEAR. WARRANTOR SHALL NOT BE LIABLE FOR INCIDENTAL OR CONSEQUENTIAL DAMAGES. SOME STATES DO NOT ALLOW THE EXCLUSION OR LIMITATION OF INCIDENTAL OR CONSEQUENTIAL DAMAGES, OR LIMITATIONS ON THE DURATION OF IMPLIED WARRANTIES OF MERCHANTABILITY OR FITNESS, SO THESE EXCLUSIONS OR LIMITATIONS MAY NOT APPLY TO YOU. THIS WARRANTY GIVES YOU SPECIFIC LEGAL RIGHTS AND YOU MAY ALSO HAVE OTHER RIGHTS, WHICH VARY FROM STATE TO STATE.

WARNING! This product may contain chemicals known to the state of California to cause cancer or birth defects or other reproductive harm. For more information, visit: www.summitappliance.com/prop65

Chemicals known by the manufacturer to be present in this product in concentrations higher than threshold limits: NONE.

FELIX STORCH, INC.
770 Garrison Avenue
Bronx, NY 10474
Phone: (718) 893-3900
Fax: (844) 478-8799
www.summitappliance.com



For parts and accessory ordering,
troubleshooting and helpful hints, visit:
www.summitappliance.com/support