



INSTRUCTION MANUAL
FREESTANDING WINE COOLER
MODEL: YHWR172-2



BEFORE USE, PLEASE READ AND FOLLOW ALL SAFETY RULES AND OPERATING INSTRUCTIONS.

Allavino has a policy of continuous improvement on its products and reserves the right to change materials and specifications without notice

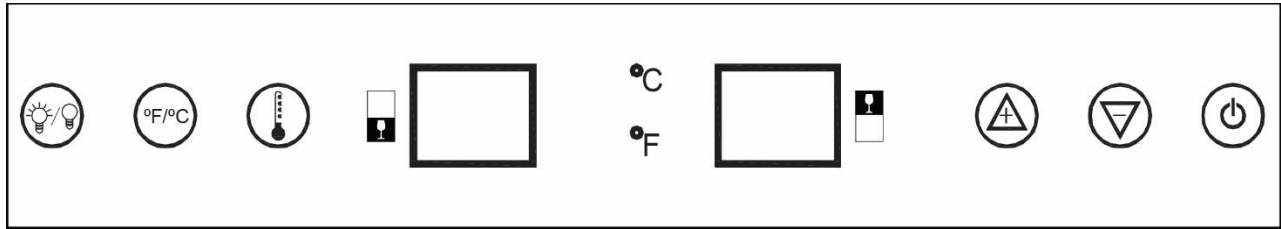
ALLAVINO

8520 Miralani Dr., San Diego, CA 92126

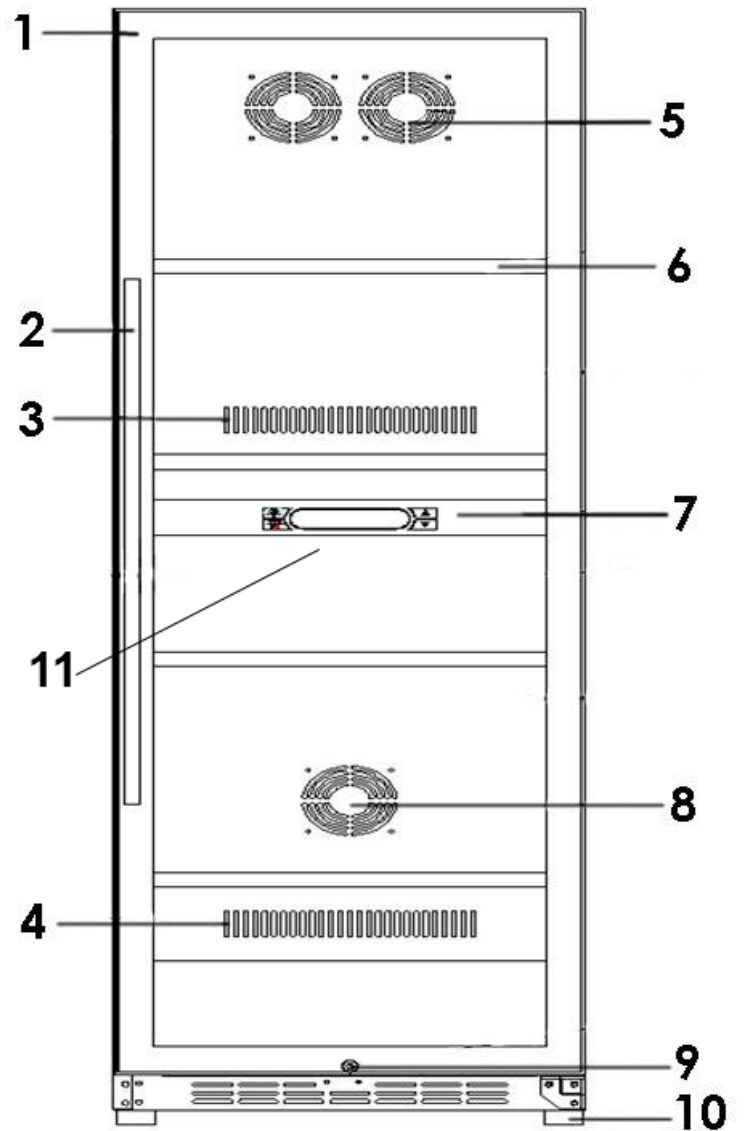
Table of Contents

Diagram and Description	3
Safety Tips	4
Installation Instructions	5
Anchoring to the Wall	6
Operation Instructions	7
Setting Temperature	7
Care and Maintenance	8
Racking Configuration	8
Troubleshooting	9
Technical Specifications	10-11
Rating Label	12
Energy Guide	13
Warranty Information	14

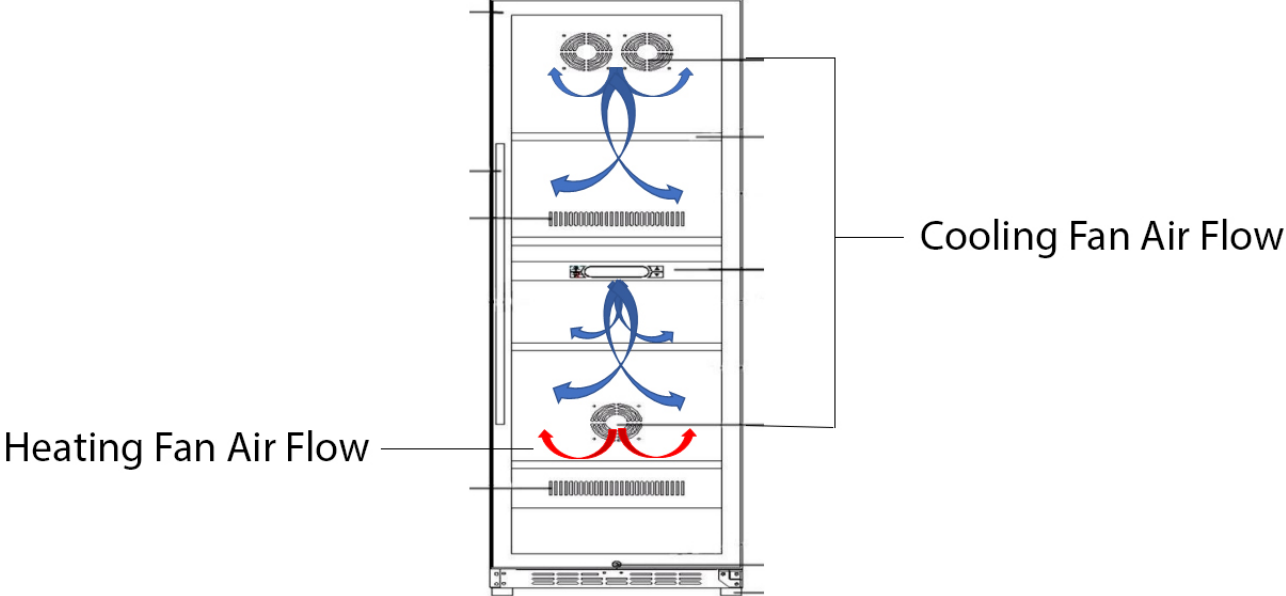
Diagram and Description



1. Glass Door Frame
2. Door Handle
3. Upper Zone Air Intake
4. Lower Zone Air Intake
5. Upper Zone Cooling Fans
6. Wooden Shelf
7. Digital Control Panel
8. Lower Zone Heating Fan
9. Security Lock
10. Adjustable Feet
11. Lower Zone Cooling Fans



Wine Refrigerator Temperature Control Air Flow



Safety Tips

Before using this appliance, it must be properly positioned and installed as described in this manual, so please read carefully. To reduce the risk of fire, electrical shock or injury when using the appliance, follow these basic precautions.

DANGER

- Plug into a grounded 3-prong outlet. Do not under any circumstances cut or remove the third ground prong from the power cord supplied, do not use an adapter, and do not use an extension cord.
- It is recommended that a separate circuit, serving only your appliance be used. Do not use outlets that can be turned off by a switch or pull chain.
- Never clean appliance parts with flammable fluids and do not store or use gasoline or other flammable vapors and liquids in the vicinity of this or any other appliance. The fumes can create a fire hazard or explosion.
- Unplug the appliance or disconnect power before cleaning or servicing. Failure to do so can result in electrical shock or death.
- Do not attempt to repair or replace any part of your appliance unless it is specifically recommended in this manual. All other servicing should be referred to a qualified technician.

WARNING

- Use two or more people to move and install appliance. Failure to do so can result in back or other injury.
- To ensure proper ventilation for your appliance, the front of the unit must be completely unobstructed. Choose a well-ventilated area with temperatures above 60°F (16°C) and below 90°F (32°C). This unit must be installed in an area protected from the element, such as wind, rain, water spray or drips.
- The appliance should not be located next to ovens, grills or other high heat sources or in areas of extreme cold.
- The appliance must be installed in accordance with state and local codes. A standard electrical supply (115 V AC only, 60 Hz), properly grounded in accordance with the National Electrical Code and local ordinances is required.
- Do not kink or pinch the power supply cord of appliance.
- The fuse (or circuit breaker) size should be 15 amperes.
- It is important for the appliance to be leveled in order to work properly. You may need to make several adjustments to level it.
- Never allow children to operate, play with or crawl inside the appliance. Child entrapment and suffocation are not just problems of the past, junked or abandoned appliances are still dangerous. When no longer using your old wine cellar, take off the door and leave the shelves in place so that children may not climb inside easily.
- Do not use solvent-based cleansers or abrasives on the interior as they may damage or discolor the interior.
- Because of potential safety hazards under certain conditions, it is strongly recommended that you do not use an extension cord with this appliance. However, if you must use an extension cord, it is absolutely necessary that it be a UL/CUL-Listed, 3-wire grounding type appliance extension cord having a grounding type plug and outlet and that the electrical rating of the cord be 115 volts and at least 10 amperes.
- If the appliance is going to be used in an area that is prone to power surges/outages, it is suggested that you use a power surge protector. The surge protector that you select must have a surge block high enough to protect the appliance it is connected to. Damages due to power surges are not considered a manufacturer covered defect and will void your product warranty.
- The cord should be secured behind the appliance and not left exposed or dangling to prevent accidental injury. Never unplug the appliance by pulling the power cord. Always grip the plug firmly and pull straight out from the receptacle. Repair or replace immediately all power cords that have become frayed or otherwise damaged. Do not use a cord with cracks or abrasion damage along its length or at either end. When moving the appliance, be careful not to damage the power cord.
- Do not use this apparatus for other than its intended purpose.
- **California Proposition 65 Warning:** This product contains a chemical or chemicals known to the State of California to cause cancer and birth defects or other reproductive harm.

Failure to heed these safety warnings may result in extensive product damage, serious personal injury, or death. www.allavino.com

Installation Instructions

BEFORE USE:

- Remove the exterior and interior packaging.
- Before connecting the unit to the power source, let it stand upright for approximately 8 hours. This will reduce the possibility of a malfunction in the cooling system from handling during transportation.
- Clean the interior surface with lukewarm water using a soft cloth.
- Place the unit on a flat, solid floor that is strong enough to support it when it is fully loaded. To level the appliance, adjust the front leveling leg at the bottom of the unit.
- When moving your wine cellar, please do not incline it more than 45 degrees.
- Locate the appliance away from direct sunlight and sources of heat (stove, heater, radiator, etc.). Direct sunlight may affect the acrylic coating and heat sources may increase electrical consumption.
- The wine cellar should be placed in an area where the ambient temperature is less than 90 degrees Fahrenheit and higher than the lowest temperature you want to store your wine at. If the ambient temperature is lower than the set temperature, the internal temperature will match the ambient temperature.
- Avoid locating the unit in damp areas.
- Plug the wine cellar into an exclusive, properly installed and grounded wall outlet. Do not under any circumstances cut or remove the third (ground) prong from the power cord. Any questions concerning power and/or electrical grounding should be directed to a certified electrician or authorized products service center.
- After plugging the appliance into a wall outlet, allow the unit to cool down for 3 to 4 hours before placing wine bottles or beverage cans in the appliance.

OPENING THE DOOR:

There is a rubber gasket installed at the bottom corner of the door opposite the hinge that protects the door from damage due to turbulence in transit. It is tightly inserted between the door frame and the door holder so it is recommended that the door be opened by grasping and pulling from that bottom corner.

INSTALLATION OF DOOR HANDLE:

The Stainless Steel version of this model has optional curved or towel bar handles. The screws are already installed in the door, so complete these easy steps to attach the handle to the door.

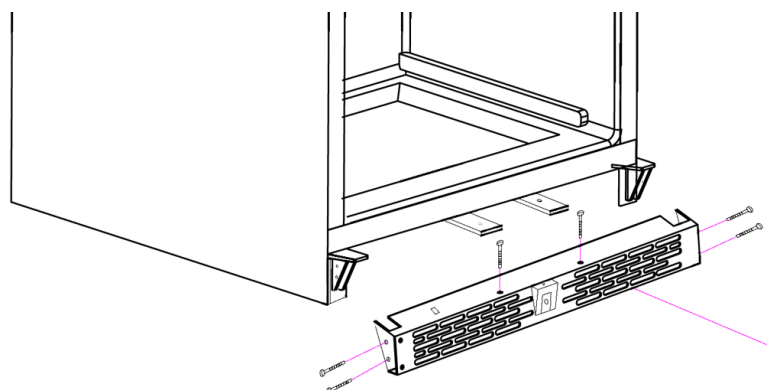
1. Pull back the door gasket from behind the handle screws.
2. Align the male threaded end of the top screw with the female thread of the door handle.
3. Using a Philips screwdriver, thread the top screw into the upper part of the handle first.
4. Then align the bottom screw with the lower part of the handle and tighten it into place.
5. Tighten both screws until snug. Do not over tighten.

Note: On some models, the screws for the curved handle are slightly smaller than the screws installed in the door. Remove existing screws by tapping the end of the screw through the hole from the outside of the door. If there is some resistance, gently tap the end of the screw with the handle of the screwdriver until screw is all the way out.

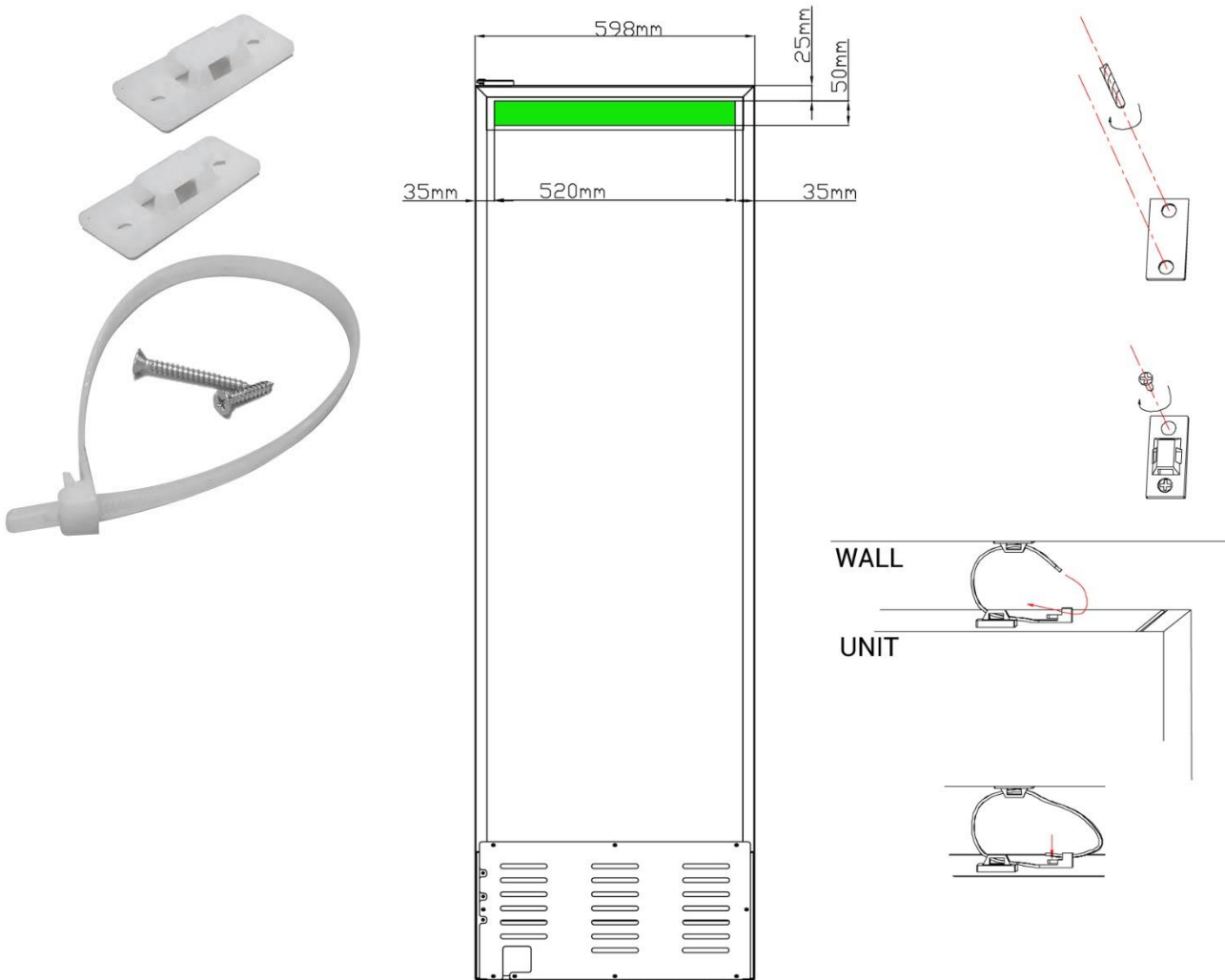
INSTALLATION OF GRILL:

The unit is shipped without the bottom grill installed to avoid damage during transit. The grill is attached to one of the shelves inside the unit.

To install the grill, use the six provided screws and attach it to the bottom of the cabinet. Two screws go on each side and two screws go on top of the grill as shown.



Anchoring to the Wall



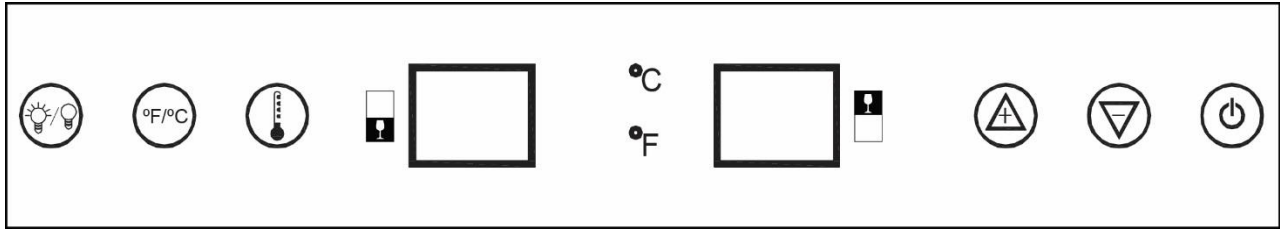
1. On the back of the appliance, attach brackets in the same zones shown using adhesive straps. Mark and drill pilot holes for the screws about 8mm into the appliance. Then use a screwdriver to tighten the screws all the way into the appliance.
2. Position the appliance in the desired location. Locate wall studs behind the appliance and mark the location where the bracket on the back of the appliance lines up with a stud. Move the appliance away from the wall and position bracket on the mark. Mark and drill pilot holes into the center of the stud with a 3/32" drill bit. Attach a bracket to the stud with the long screws provided.
3. Move the appliance into its final position, taking care to line up the wall bracket close enough to the bracket on the back of the appliance to strap them together. Thread a strap through the brackets as shown in the illustration. Tighten the straps until snug. Do not overtighten.

CAUTION: This product is not intended to be a substitute for proper supervision. Manufacturer assumes no liability for improper installation or excessive loads placed on screws, brackets, or straps.

Straps should be periodically adjusted, tested, and replaced.

Operation Instructions

The wine cellar should be placed in an area where the ambient temperature range is between 55-80 degrees Fahrenheit. If the ambient temperature is above or below this range, the performance of the unit may be affected. For example, placing your unit in extreme cold or hot conditions may cause interior temperatures to fluctuate.



Your Allavino Wine Cellar includes an operating panel on the front of the unit. The operating panel includes several features to operate and control the temperature of the wine refrigerator, including:

Light – Turns the interior light on or off

*The default factory setting for the lights is set to an automatic shut-off after 10 minutes. To change the automatic light shut off to continuous light, hold the light button down for three seconds.

°C / °F - Toggles the temperature display between Celsius and Fahrenheit

Thermometer Button – Press to toggle between adjusting the lower and upper zones

Lower/Upper Chamber – Adjust and display the temperature of each zone on individual LED displays

UP/DOWN Buttons – Adjusts the temperature in 1 degree increments (40°F - 65°F)

Power Button - Press to turn on/off the appliance

The unit has a locking door and two keys are provided. To lock the door, turn the key clockwise and turn it counterclockwise to unlock the door. Keep the keys in a safe place.

If you are going on vacation, you may leave the wine cellar operating during vacations of less than three weeks. If the appliance will not be used for several months, you should remove all items and turn off the appliance. Clean and dry the interior thoroughly. To prevent mold growth, leave the door open slightly, blocking it open if necessary.

Setting Temperature

This Allavino Wine Cellar has a wide enough temperature range to store either red or white wine, depending on your preference. Different varietals of wine require different temperature settings. Red wine is generally stored between 50 and 65 degrees Fahrenheit, while white wines are stored between 40 and 50 degrees Fahrenheit. White wine can be stored at red wine temperatures for a short period of time (less than three months), and flash chilled before serving.

You can set the temperature as you desire by touching the UP or DOWN button. When you touch the buttons for the first time, the LED readout will show the original temperature set at the manufacturing facility. Each push of the button will adjust the temperature by one degree in the desired direction. Please be aware that the desired temperatures may fluctuate depending on whether the interior light is ON or OFF and depending on the orientation of the bottles. It is normal for the air temperature in a zone to vary about 5-7 degrees from the set point and for the wine temperature in a zone to vary up to 5 degrees from the set point.

PLEASE NOTE:

- Lower Zone must be set at least 5 degrees warmer than the Upper Zone. We recommend at least a 10 degree difference between each zone to achieve accurate temperatures.
- The lower zone heating fan will only turn on if the zone's actual temperature reaches 6 degrees under the set point.
- In the event of a power interruption, all previous temperature settings will be automatically saved and each compartment will return to the previous temperature setting.
- If the unit is unplugged, loses power, or is turned off, you must wait 3 to 5 minutes before restarting. Attempting to restart the wine cellar before this time has elapsed may prevent it from starting.
- When you use the wine cellar for the first time or restart the wine cellar after having been shut off for a long time, there will be a few degrees variance between the temperature you select and the one indicated on the LED readout for the first few hours of operation. After a few hours of operation, the temperature will normalize to the displayed temperature.

Care and Maintenance

Cleaning your wine cellar:

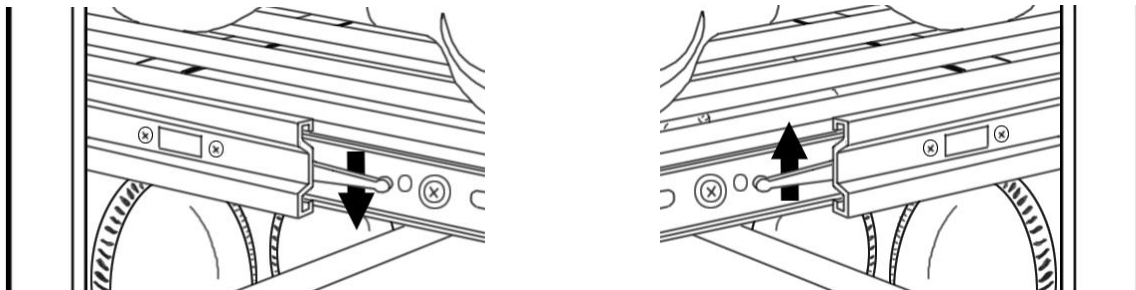
- Turn off the power, unplug the appliance, and remove all items including all shelves.
- Wash the inside surfaces with warm water and baking soda solution. The solution should be about 2 tablespoons of baking soda to a quart of water.
- Wash the shelves with a mild detergent solution.
- Wring excess water out of the sponge or cloth when cleaning area of the controls, or any electrical parts.
- Wash the outside cabinet with warm water and mild liquid detergent. Rinse and wipe dry with a clean soft cloth.
- Do not use steel wool or steel brush on the stainless steel. These will contaminate the stainless steel with steel particles and rusting may occur.
- Dust the front grill and back of the unit twice yearly. Make sure the power is off before cleaning.
- It is recommended to clean the unit completely inside and out yearly to maximize the longevity of the product.

Moving your wine cellar:

- Remove all bottles and any other items you may have inside the unit.
- Securely tape down all loose items (shelves) inside your appliance and tape the door shut.
- Turn the adjustable leg up to the base to avoid damage.
- Be sure the appliance stays secure in the upright position during transportation.
- Protect the outside of the appliance with a blanket or similar item.

Racking Configuration

Disperse your bottles evenly throughout the unit so as not to concentrate weight in any one area. This also helps to provide an even temperature range throughout the unit. Make sure that bottles are not all grouped together either at the top or bottom of the cabinet. The maximum capacity per shelf is 55 lbs. Never try to pull out more than one rolling shelf at a time as it can cause the appliance to tip forward. Also, be careful that your bottles do not touch either the back of the cabinet or the step at the bottom because contact with these cold surfaces can cause ice to form in the bottle.



You can remove a shelf to accommodate larger diameter bottles on the shelf below it. To remove a shelf, pull it out as far as you can. There are levers on each side of the shelf near the rollers. Left the lever on the left hand side and push down the lever on the right hand side to remove the shelf from the tracks.

This Allavino Wine Cellar has 12 shelves that can hold up to 11 bottles each and 2 shelves that can hold up to 20 bottles each. It has a maximum capacity of 172 bottles, based on the standard Bordeaux size bottle. Your total bottle capacity may vary depending upon the size of the bottles in your collection; larger bottles will decrease the capacity.



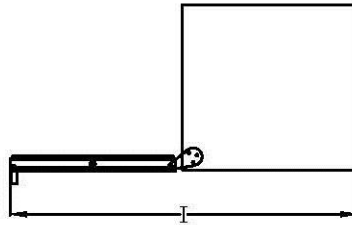
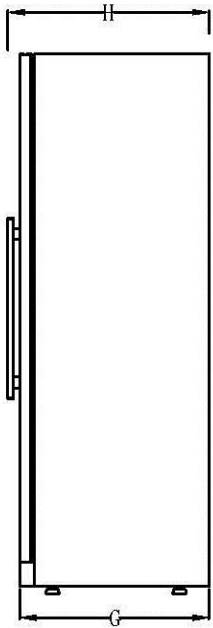
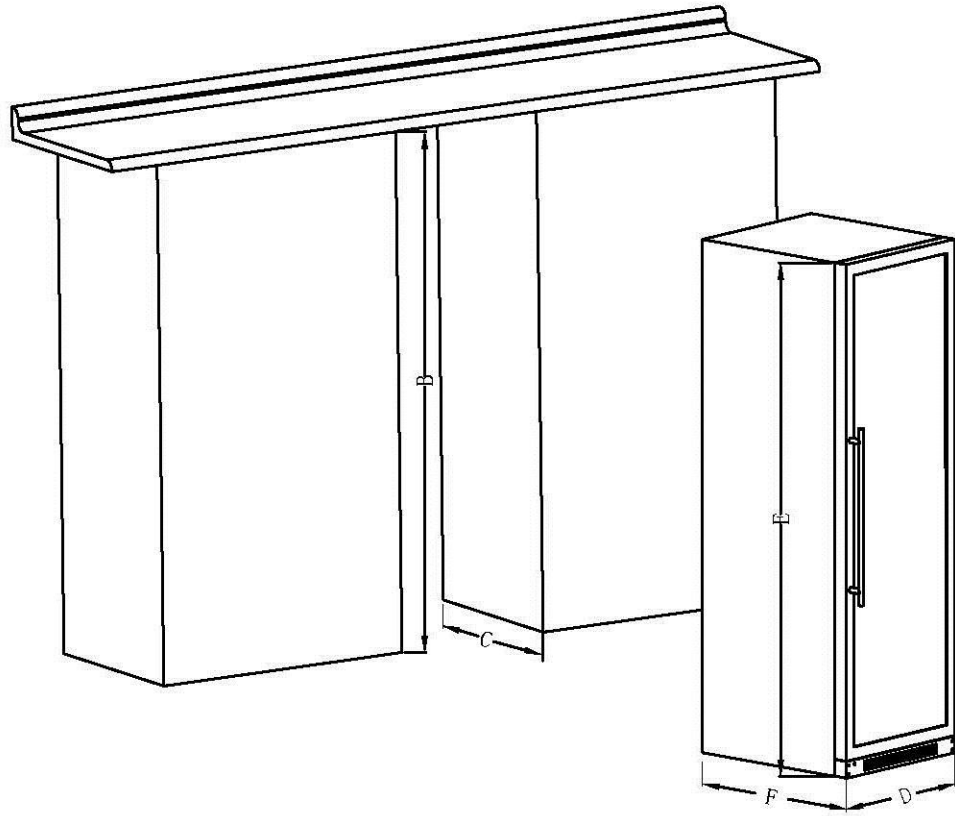
Troubleshooting

There are many common issues you may experience with your wine cellar that can be solved very easily, without the need of a service call. Try the tips below to troubleshoot your unit should you experience any problems:

PROBLEM		POSSIBLE CAUSE	
Wine cellar does not operate		Not plugged in or the appliance is turned off The circuit breaker tripped or a fuse has blown out	
Wine cellar is not cold enough		Check the temperature control setting External environment may require a higher setting The door is opened too often The door is not closed completely The door gasket is not sealing properly	
Wine cellar is turning on and off frequently		The room temperature is hotter than normal. The door is opened too often. The door is not closed completely. The temperature control is not set correctly. The door gasket does not seal properly.	
The light does not work		Not plugged in. The circuit breaker tripped or a fuse has blown. The light bulb has burned out. The light button is "OFF".	
Vibrations		Check to assure that the wine cellar is on a level surface.	
The wine cellar seems to make too much noise		A faint humming noise may come from the flow of the refrigerant, which is normal. As each cycle ends, you may hear gurgling sounds caused by the flow of refrigerator in your wine cellar. Contraction and expansion of the inside walls may cause popping and crackling noises. The wine cellar is not on a level surface.	
Dew on surface of the cabinet or condensation forming inside the cabinet		Room is damp or humid. Door has been left open or opened too frequently. Wipe off door and walls and leave door closed as long as possible.	
The door will not close properly		The wine cellar is not on a level surface. The gasket is dirty. The shelves are out of position.	
An error code is being displayed	Single Zone	E1	Temperature sensor fail
		E2/E3	Evaporator temperature sensor fail
	Dual Zone	E1	Upper zone temperature sensor fail
		E2	Lower zone temperature sensor fail
		E3	Evaporator temperature sensor fail
The temperature inside the cellar is more than 7 degrees off from the set temperature		The set temperature difference between the 2 zones is less than 5 degrees. The cellar is still cooling/heating to the set temperature and needs more time.	

Technical Specifications

Bottle Capacity	Up to 172 Bottles
Dimensions	76.5" H x 23.75" W x 27" D (28.75" w/ handle)
Weight	287 lbs.
Voltage / Frequency	115v / 60 Hz
Running Amps	1.6A
Operating Temperature	Upper Zone: 40°F - 56°F Lower Zone: 54°F - 65°F
Maximum Ambient Temperature	90°F



Rough-In Dimensions

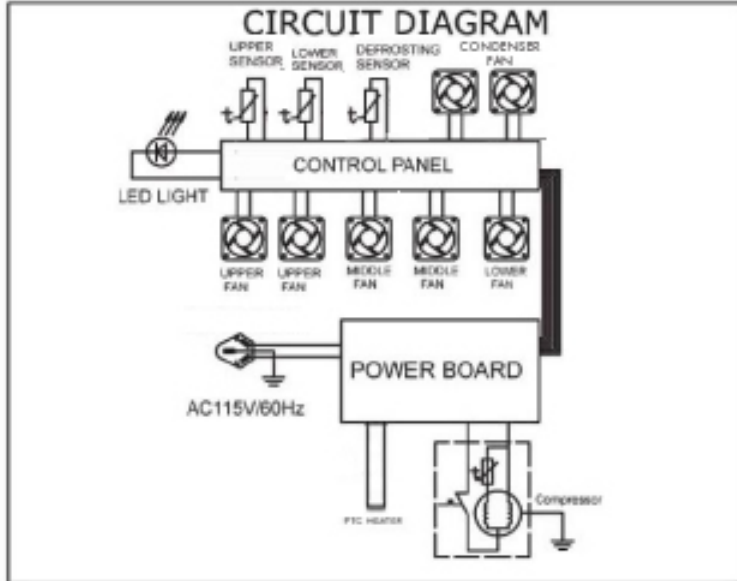
A. Rough-In Width	608mm	
B. Rough-In Height	Solid Door	1922mm/1951mm
C. Rough-In Depth	688.5mm	

Product Dimensions

D. Width	598mm	
E. Height	Solid Door	1916mm/1945mm
G. Depth to		
Front of Door	Solid Door	681.5mm (Without Handle)
H. Depth to Handle	725.3mm (Stainless Steel)	
I. Depth with door at 90°	Solid Door	1251.1mm



MODEL:YHWR172-2SL20
WINE COOLER



Free-Standing Installation Only
Installation seulement à pose libre



Intertek
3155528

CONFORMS TO
UL STD.250
CERTIFIED TO
CSA STD.C22.2
NO:63



SPECIFICATIONS	
DESIGN PRESSURE	
HIGH SIDE	75PSIG
LOW SIDE	7inHg
REFRIGERANT AMOUNT	R600a 2.05Oz
RATED VOLTAGE	115VAC
RATED FREQUENCY	60Hz
RATED CURRENT	1.6A
GROSS WEIGHT	291Lbs
NET WEIGHT	258 Lbs

MADE IN CHINA

Manufactured in:

ENERGYGUIDE

Wine Refrigerator
• Automatic Defrost

Allavino
Model: YHWR172-2
Capacity: 16.46 Cubic Feet



Compare ONLY to other labels with yellow numbers.
Labels with yellow numbers are based on the same test procedures.

Estimated Yearly Energy Cost

\$32



Cost range not available

269 kWh

Estimated Yearly Electricity Use

- Your cost will depend on your utility rates and use.
- Both cost ranges based on models of similar size capacity.
- Estimated energy cost based on a national average electricity cost of 12 cents per kWh.

ftc.gov/energy

Warranty Information

WHAT IS COVERED LIMITED ONE-YEAR WARRANTY:

For one year from the date of purchase by the original owner, Allavino will, at its option, repair or replace any part of the unit, which proves to be defective in material or workmanship under normal use. During this period Allavino will provide all parts and labor necessary to correct such defects free of charge, so long as the unit has been installed and operated in accordance with the written instructions in this manual. Allavino will provide you with a reasonably similar replacement product that is either new or factory refurbished. In rental or commercial use, the warranty period is 90 days. All Allavino Appliances of 3.5 cubic feet capacity or less must be brought/sent to the appliance service shop for repair.

LIMITED SECOND THROUGH FIFTH YEAR WARRANTY:

For the second through the fifth year from date of original purchase, Allavino Products will provide a replacement compressor free of charge due to a failure. You are responsible for the service labor and freight charges. In rental or commercial use, the limited compressor warranty is one year and nine months. Cost to move the appliance to the servicers' shop and back to the user's home, as may be required, are the user's responsibility.

WHAT IS NOT COVERED:

- Content losses of food or other, due to spoilage.
- Incidental or consequential damages.
- Parts and labor costs for the following will not be considered as warranty:
 - Door springs, and/or frames.
 - Inner door panels, door rails and/or door supports.
 - Light bulbs and/or plastic housing.
 - Plastic cabinet liners.
 - Punctured evaporator that voids the warranty on the complete sealed system.
 - Repairs performed by unauthorized servicers.
 - Shipping and handling costs associated with the replacement of the unit.
 - Service calls that do not involve defects in material or workmanship such as customer education, door reversal, or proper installation.
 - Surcharges including, but not limited to, any after hour, weekend, or holiday service calls, tolls, ferry trip charges, or mileage expense for service call to remote areas, including the State of Alaska.
 - Service calls that are related to external problems, such as abuse, misuse, inadequate electrical power, accidents, fire, floods, or acts of God.
 - Replacement of house fuses or resetting circuit breakers.
- Failure of the product if it is used for other than its intended purpose.
- This warranty does not apply outside the Continental USA.

SERVICE FOR YOUR WINE CHILLER:

With the purchase of your Allavino appliance, you can have the confidence that if you ever need additional information or assistance, the Allavino Customer Service team will be here for you. Whatever your questions are about our products, help is available. Just call us toll-free.

ALLAVINO PRODUCT CUSTOMER SERVICES:

Product Information, Part Orders and In-Home Repair Service: **888-980-4809**