



Echelon Series

**Full Overlay Door Panel
Preparation and Installation
Instructions for
2175, 2115 & CLR2160 Models**

www.U-LineService.com

**Phone (414) 354-0300 • FAX (414) 354-7905
Service & Parts Tech Lines Phone (800) 779-2547 • FAX (414) 354-5696
OnlineService@U-Line.com**

©2006 U-Line Corporation
08/2006

Full Overlay Door Panel

Door Panel Preparation

A full overlay door panel completely covers the doorframe and handle to give a built-in appearance. See your U-Line dealer for the optional Full Overlay Door Panel Kit.

2175 Models:

P/N U-OL2175B -- Black
P/N U-OL2175W -- White

2115 & CLR2160 Models:

P/N U-OL2115B -- Black
P/N U-OL2115W --White

Appropriate hardware, Modified Handle, Replacement Hinges and a copy of these instructions will be included in the kit.

1. Cut the overlay to the following dimensions (see **Figure 1**).

Full Overlay Dimensions:

2175 Models:
Width: 23-3/4"
Height: 29-3/4"

2115 & CLR2160 Models:
Width: 14-3/4"
Height: 29-3/4"

The door panel must not weigh more than 20 lbs.

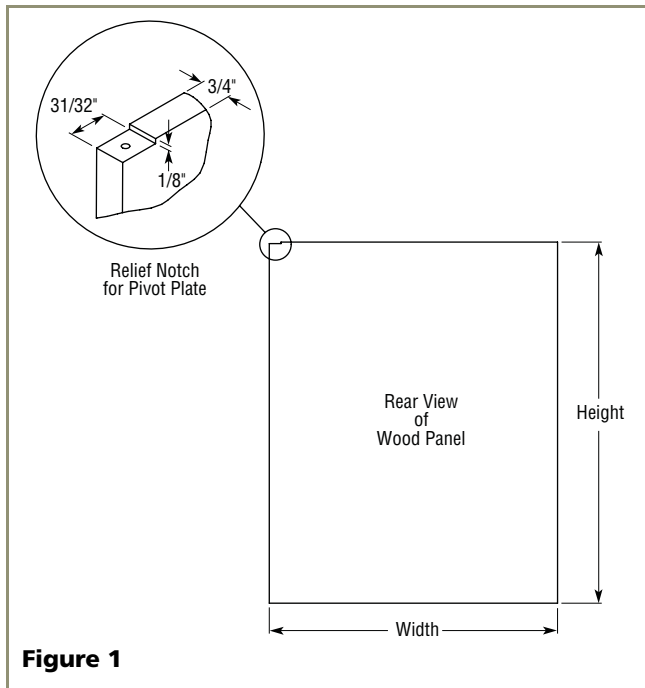


Figure 1

IMPORTANT

Rear View of wood panel for right-hand hinge shown. Use mirror image for left-hand hinges.

2. Create a relief (**Figure 1**) for pivot plate by cutting notch in top corner of overlay panel. Refer to **Figure 2** for exact specifications.

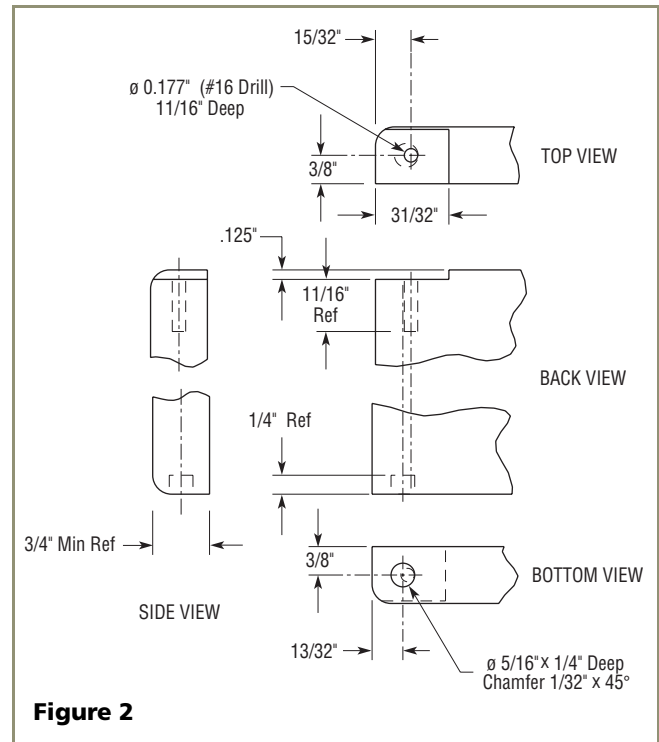


Figure 2

Route notch in top corner of overlay panel as shown (see Top and Side Views). Top of notch is entire depth of panel, front to back.

Width: 31/32"
Depth: 1/8"

CAUTION

Be careful not to drill too deep! Drilling holes too deep may destroy your door panel.

3. Drill hole for upper door hinge (top of panel) (see **Figure 2**, Top View).
0.177" diameter
(#16 drill) x 11/16" deep
4. Drill hole for lower door hinge (see **Figure 2**, Bottom View).
5/16" diameter x 1/4" deep

CAUTION

It is important to ensure that all drilled holes are drilled to the correct depth in order to avoid splits in the wood when hardware is installed.

Installation Instructions

Removing Existing Door

1. Remove the door shelves by first pulling shelves up at a 45° angle, then straight out.
2. Remove top hinge screw pin (Phillips screwdriver). Remove the door by tilting forward and lifting off the bottom hinge pin.
3. Pull door gasket out of the groove (top edge of door only). Start in the middle and pull outward, moving toward the edge (see **Figure 3**). This may take some force.

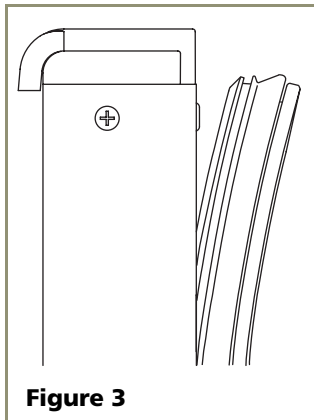


Figure 3

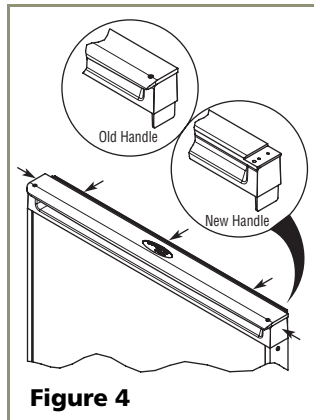


Figure 4

4. Remove the two screws located on both sides of the handle.
5. Remove the handle and discard. (This handle will be replaced with the Overlay Handle included in the Full Overlay Door Panel Kit.)
6. Slide the existing door panel out of the doorframe.

Attaching the Full Overlay Panel

1. Place and tape the existing door panel on the back of the overlay panel (see **Figure 5**) and drill holes through both panels according to **Figure 6**. Remove tape adjoining the panels and enlarge the six holes in the steel (black/white vinyl color) panel using a 0.201" (#7) drill.
2. If a user-supplied cabinet handle will be used, attach its hardware to the overlay panel at this time.

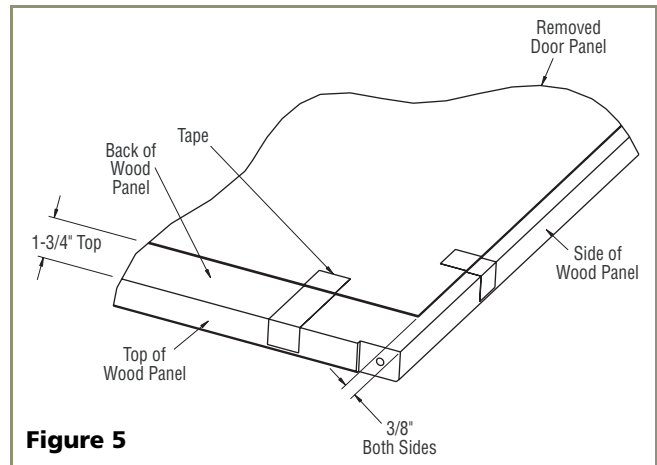


Figure 5

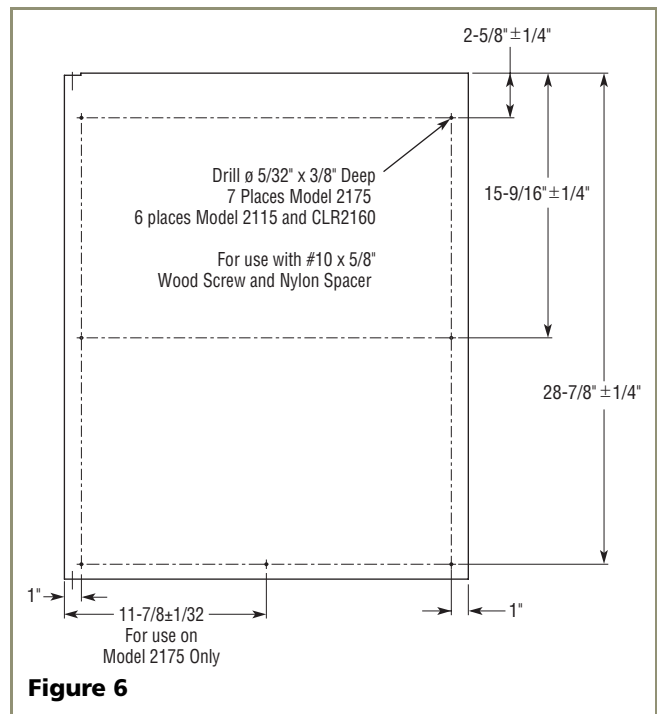


Figure 6

3. Attach the door panel to the overlay panel using #10 x 5/8" wood screws and nylon spacers. The nylon spacers fit between the overlay panel and the door panel as shown in **Figure 7**. The spacers allow the original door panel to slide back into the 1/4"-thick door reveal (channel).

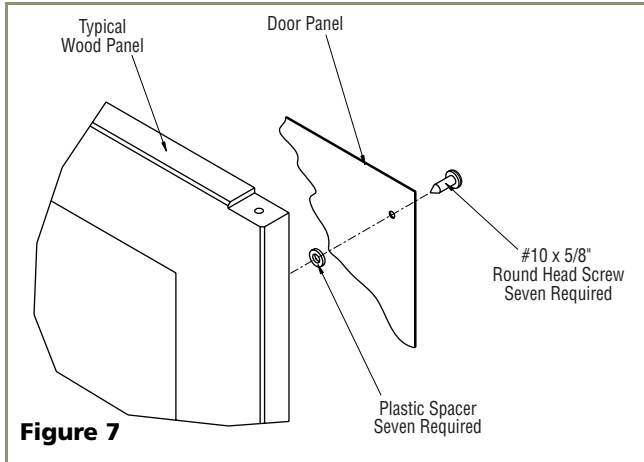


Figure 7

4. Remove the existing bottom pivot plate and replace with the Full Overlay pivot plate (see **Figure 8**).

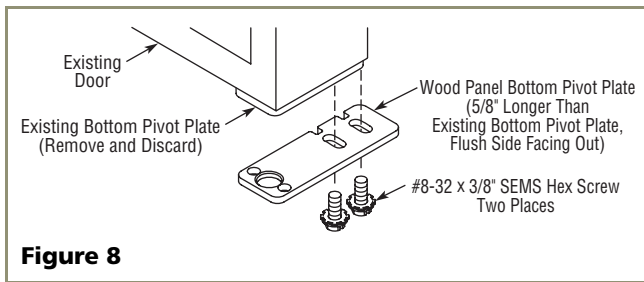


Figure 8

IMPORTANT

Door panel and overlay panel must be aligned properly or the door will not operate correctly.

Assembling the Door

1. Install the assembled panel by sliding the original door panel back into the doorframe.
2. Replace the Overlay Handle and secure with the two screws removed in Step 4 under *Removing Existing Door*.
3. Attach Overlay cap to door, opposite side of where hinges will be (see **Figure 9**).

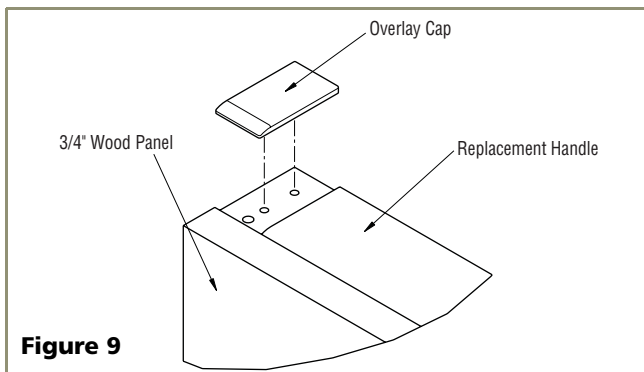


Figure 9

4. Attach Top Pivot Plate to door handle, on side where hinges will be. Use the two #8-32 x 1/2" Flat Head Phillips screws (Black) supplied with kit (see **Figure 10**).

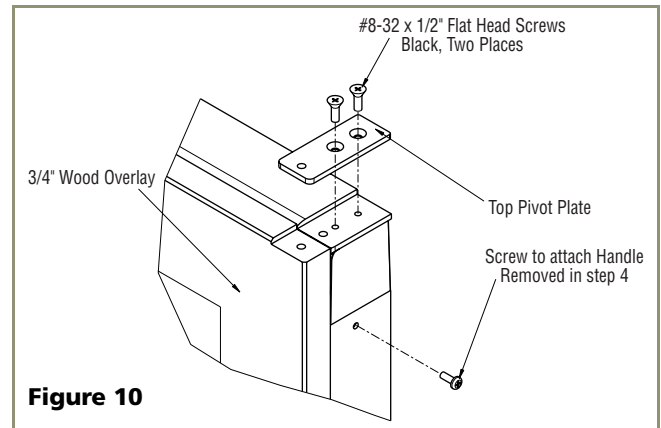


Figure 10

5. Starting at the corners and working toward the center, push the door gasket back into place.

Installing the Door

1. Remove the existing hinges from the unit, saving the door closure assembly.
2. Install the new Replacement Top Hinge onto the unit (see **Figure 11**).

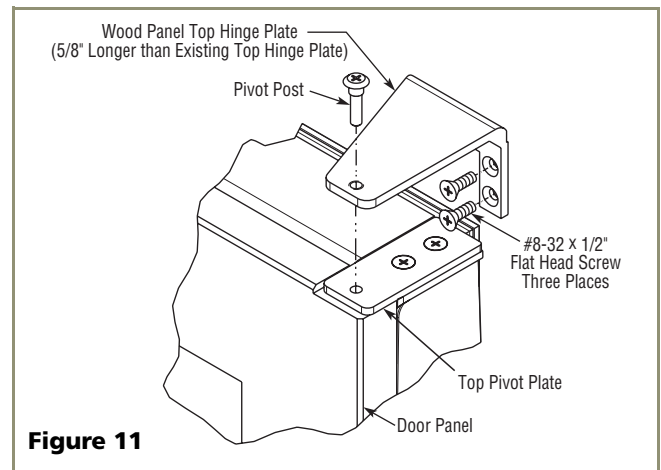


Figure 11

3. Install the pivot post into the new Replacement Bottom Hinge (using the Phillips screwdriver) and install the hinge onto the unit.
4. Replace the door closure assembly onto the bottom pivot post (see **Figure 12**). Be sure that bosses on closers align with holes in hinge and hinge plate.

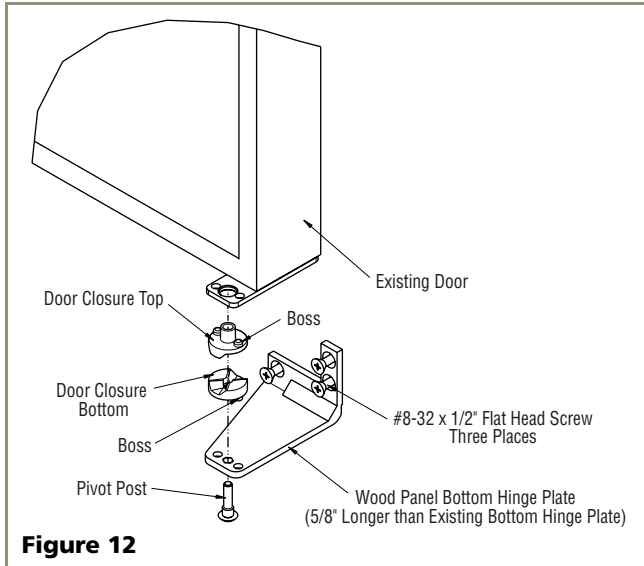


Figure 12

IMPORTANT

Pivot posts must be cleaned. Closers must also be clean and greased to ensure proper operation.

5. Place the modified door onto the pivot post.
6. Position door and install the pivot post into the top hinge (using the Phillips screwdriver).
7. Adjust door as needed for proper closure.
8. Check to see that light goes off when the door closes.
9. Reinstall the door shelves by lining up the bosses and first pushing straight in, then down at a 45° angle.

Checking Door Alignment

The unit's door is aligned at the factory before shipment. However, its alignment could have been disturbed during shipment or during door panel installation.

IMPORTANT

Properly aligned, the door should be 1/8" below the top of the unit's cabinet, NOT flush with the top (see **Figure 13**).

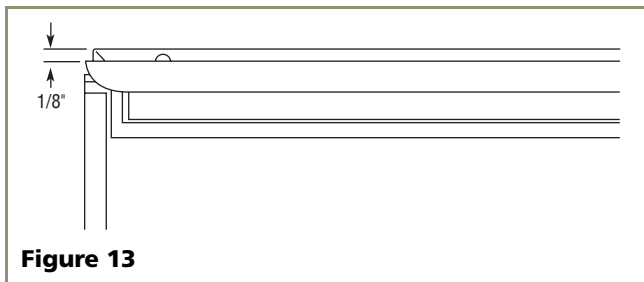


Figure 13

1. Compare the top edge of the door to the top edge of the cabinet.

2. If the door edge is 1/8" below and parallel to the top of the cabinet, the door is aligned. If it is not, note whether the side opposite the hinge needs to be moved UP or DOWN, and use the following procedure.

Note: If door is adjusted correctly, but panel is not square with the adjacent cabinets, slight adjustments can be made by drilling the holes in the vinyl coated steel panel slightly oversized. See **Figure 6** on **Page 3**.

Adjusting Door Alignment

1. Remove top hinge screw pin (Phillips screwdriver, see **Figure 14**). Remove door by tilting forward and lifting off bottom hinge pin.
2. With door upside-down, loosen but do not remove the two screws on the door's bottom hinge plate.

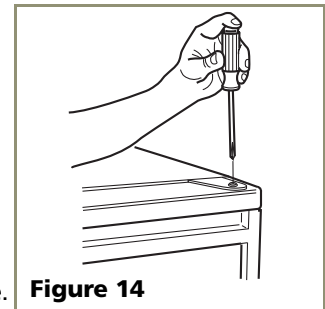


Figure 14

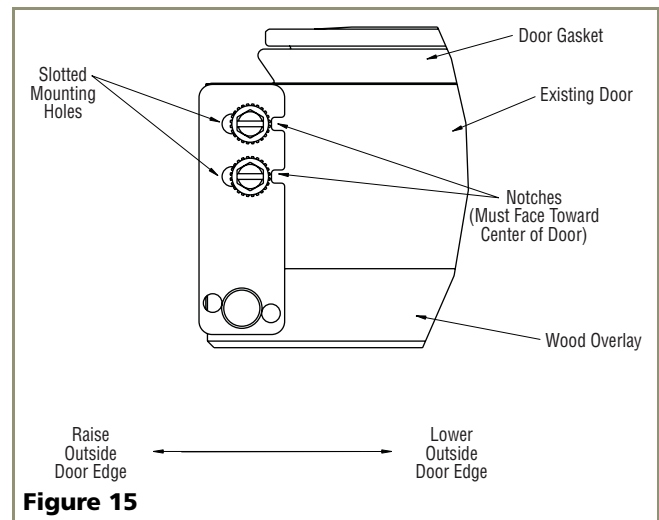
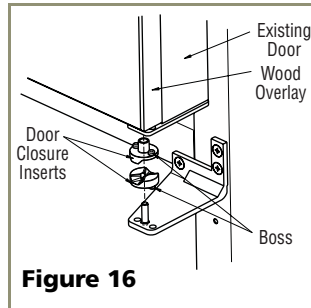


Figure 15

3. See **Figure 15**. If the top far edge of the door needs to move UP, move the hinge plate toward the outside of the door and retighten screws. If the top far edge of the door needs to move DOWN, move the hinge plate toward the inside of the door and retighten screws.
4. Mount the door to recheck alignment and repeat Steps 2 and 3 if further adjustment is necessary.
5. When top edge of door is parallel to top edge of cabinet, remove the door and ensure the two screws are secure.
6. Remove the door closers from the bottom hinge, clean thoroughly and lubricate the mating surfaces with petroleum jelly.

Echelon Series

7. Reinstall the closers, lining up the bosses with holes in hinge and hinge plate (see **Figure 16**).
8. Mount the door and install top hinge pivot pin.



Who to Call

Service Information

If the need for service arises, call the U-Line Customer Care Center directly @ **800-779-2547**. To ensure accurate assistance, please have your Model Number and Serial Number and an explanation of the problem. The Model and Serial Number plate is located inside unit at upper right hand corner.

If you need to locate a service company, you can go online at **www.U-LineService.com** and search for a service company by zip code.

For more than four decades, U-Line has distinguished itself as the leader in built-in undercounter ice making, refrigeration and wine storage appliances.

U-Line Corporation, located in Milwaukee, WI, is a family operated manufacturer of built-in undercounter icemakers, Combo® icemaker/refrigerators, Wine Captain® wine storage units, refrigerators, refrigerated drawers and refrigerator/freezers.