

- ✓ Produces up to 528 lbs. (240 Kgs.)* of ICE per day
- ✓ Constructed from sturdy, corrosion-resistant 300 series stainless steel
- ✓ Ultra-low profile - 20 inches (508 mm) tall
- ✓ Available with an air- or water-cooled condenser



ICE 0400 on a B55 Bin

ICE-O-Matic® is the Best ICE Making Solution for: Hard Water, Food Safety and Tight Spaces

Problem

Food Safety

Food safety concerns about slime- and odor-causing bacteria

Hard Water

Scaling due to hard water slows Ice production

Tight-Fitting Spaces

Inadequate air flow due to tight-fitting spaces reduces Ice production

Dirty Air Filter

Forget to change the air filter?

Solution

PURE ICE™ - Exclusively by ICE-O-Matic®

Built-in antimicrobial protection for the life of the machine prevents bacteria and slime fungus growth. ICE-O-Matic's® optional water filtration system provides protection against unpleasant tastes, odors, and scale formation.

Harvest Assist

Consistent ICE production 24/7 by pushing the ICE into the bin rather than waiting for gravity to overpower the scale

Top Air Discharge

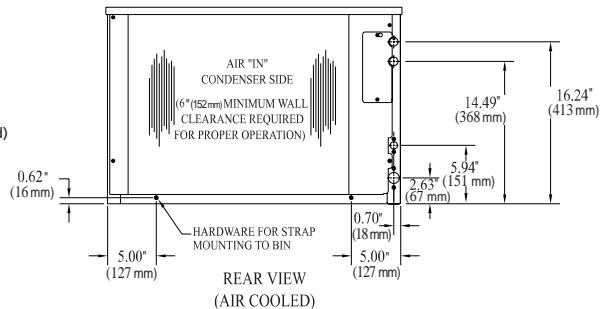
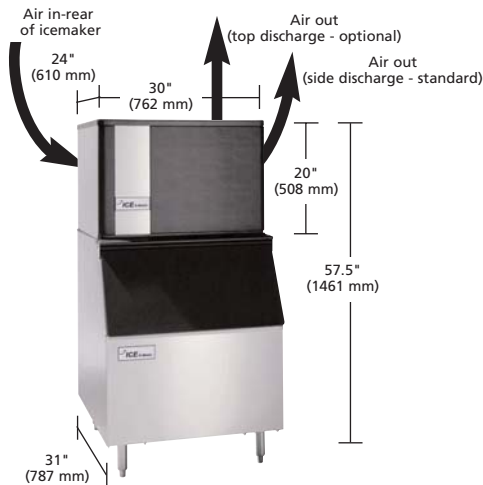
Maximum ICE production in a minimum amount of space with an ultra-low profile - no side clearance required

Filter-Free Air

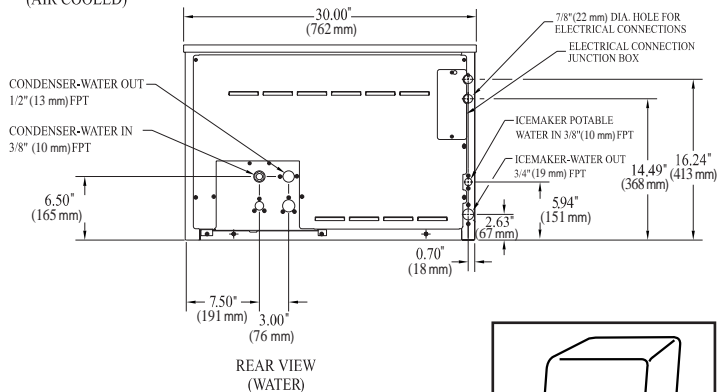
No air filter to change

ICE 0400 Series Cube ICE Maker

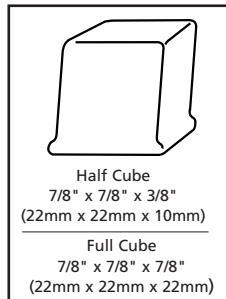
Dimensions and Air Flow



REAR VIEW (AIR COOLED)



REAR VIEW (WATER)



OPERATING LIMITS

Ambient Temp. Range	
Air & Water	50° - 110°F (10° - 43°C)
Water Temp. Range	40° - 100°F (4.5° - 38°C)
Water Pressure Ice Maker	Min. 20 psi (1.4 bar)
Water in	Max. 60 psi (6.9 bar)
Condenser Inlet Water (Water cooled only)	Min. 20 psi (1.4 bar) Max. 60 psi (6.9 bar)

ICE PRODUCTION CHART POUNDS (KILOGRAMS) PER 24 HOURS

		ICE 0400			ICE 0406			ICE 0405				
Conds. Unit	Air Temp. °F (°C)	Water Temp. °F (°C)			Air Temp. °F (°C)	Water Temp. °F (°C)			Air Temp. °F (°C)	Water Temp. °F (°C)		
		80°(27°)	70°(21°)	50°(10°)		80°(27°)	70°(21°)	50°(10°)		80°(27°)	70°(21°)	50°(10°)
Air Cooled	90° (32°)	340 (155)	366 (166)	422 (192)	90° (32°)	300 (137)	323 (147)	381 (173)	90° (32°)	344 (156)	370 (168)	429 (195)
	80° (27°)	392 (178)	422 (192)	464 (211)	80° (32°)	359 (163)	386 (175)	425 (193)	80° (27°)	400 (182)	431 (196)	474 (215)
	70° (21°)	428 (194)	460 (209)	506 (230)	70° (21°)	396 (180)	425 (193)	468 (213)	70° (21°)	438 (199)	471 (214)	518 (235)
Water Cooled	90° (32°)	418 (190)	449 (204)	481 (218)	90° (32°)	354 (161)	381 (173)	414 (188)	90° (32°)	437 (199)	470 (214)	508 (231)
	80° (27°)	426 (194)	458 (208)	504 (229)	80° (27°)	371 (169)	399 (181)	439 (200)	80° (27°)	454 (206)	488 (222)	537 (244)
	70° (21°)	446 (203)	480 (218)	528 (240)	70° (21°)	392 (178)	422 (192)	464 (211)	70° (21°)	478 (217)	514 (234)	566 (257)

- 90°/70° figures are rated in accordance with ARI Standard 810. All remaining points are mathematical estimates.
- All specifications and performance data are subject to normal manufacturing variances.

ORDERING AND SPECIFICATION INFORMATION

Model No.	Cond. Unit	Ice Production per 24 hrs. at 70° Air/50° Water lbs. (Kgs.)	Ice Production per 24 hrs. at 90° Air/70° Water lbs. (Kgs.)	Water Used-Gals. (Lits.) per 100 lbs. of Ice 90° Air/70° Water		Kilowatts Used per 100 lbs. of Ice 90° Air 70° Water	Btuh	Voltage Characteristics	No. of Wires	Min. Circuit Amp.	Max. Fuse Size	Shipping Weight lbs. (Kgs.)
				Ice Prod. Use	Cond. Use							
ICE 0400•A	Air	506 (230)	366 (166)	24.5 (93)	n/a	6.5	8064	115/60/1	3	14.4	15	165 (75)
ICE 0400•W	Water	528 (240)	449 (204)	27.0 (102)	225 (852)	4.7	8388	115/60/1	3	13.4	20	165 (75)
ICE 0406•A	Air	468 (213)	323 (147)	24.1 (91)	n/a	7.5	7712	208-230/60/1	3	8.9	15	165 (75)
ICE 0406•W	Water	464 (211)	381 (173)	23.5 (89)	138 (522)	5.5	7664	208-230/60/1	3	7.7	15	165 (75)
ICE 0405•A	Air	518 (235)	370 (168)	21.7 (82)	n/a	8.3	9371	230/50/1	3	13.3	15	165 (75)
ICE 0405•W	Water	566 (257)	470 (214)	26.4 (100)	141 (534)	4.5	8562	230/50/1	3	10.1	15	165 (75)

See Bin specification sheet for information on ice storage bins

- represents cube size. For full cube substitute an "F", for half cube substitute an "H".
- Top discharge is available on ICE0400 air-cooled model, just substitute a "T" for the "A" in the model number.
- Please note: air-cooled units require 6" (152 mm) clearance for air intake and exhaust.

