



# SBC635MBISSTBTWIN



33.5" x 24" x 25.38" (H x W x D)

Built-in residential beer dispenser, auto defrost with digital thermostat, dual tap system, stainless steel door, towel bar handle, and black cabinet

## Highlights:

Full-sized capacity to hold half, quarter, 1/6 or mini kegs

Dual tap system allows you to serve beer from two 1/6 kegs

Designed for built-in installation under the counter

Stainless steel wrapped door with professional towel bar handle adds luxury to any setting

## Product Features:

Full-sized beer dispenser	Large 5.6 cu.ft. interior can accept a full half barrel keg, two 1/6 barrel kegs, or a pony keg
Built-in capable	Make the best use of space by installing your appliance under the counter; NOTE: if installing flush with wall or cabinets, unit will require extra space due to the door design. Width should be 25" to 25 1/4". For more information, see the user manual
Dual tap system	Twin taps let you serve two different types of beer from two 1/6 sized (sixtel) kegs
Tap Kit	Includes a 5 lb. CO2 tank and regulator, draft arm, Sankey American tap, and connection hardware
Stainless steel wrapped door	Durable design with lasting elegance
Professional towel bar handle	Curved handle in brushed stainless steel offers a sturdy grip with professional elegance
Digital thermostat	Electronic controls ensure easy temperature management, with an external readout in Celsius or Fahrenheit
Ideal beer temperature	Operates between 33° and 50°F to keep a variety of beers stored at just the right serving temperature
Automatic defrost	Reduced user maintenance with auto defrost operation



SUMMIT APPLIANCE DIVISION FELIX STORCH, INC.

770 Garrison Avenue, Bronx, NY 10474 USA TEL 718-893-3900 FAX 844-478-8799

info@summitappliance.com

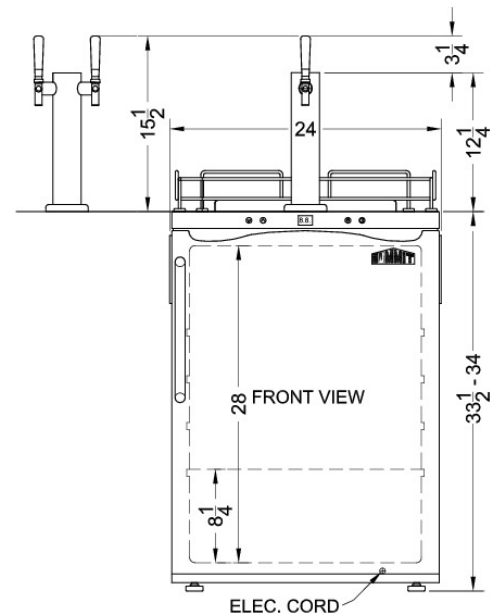
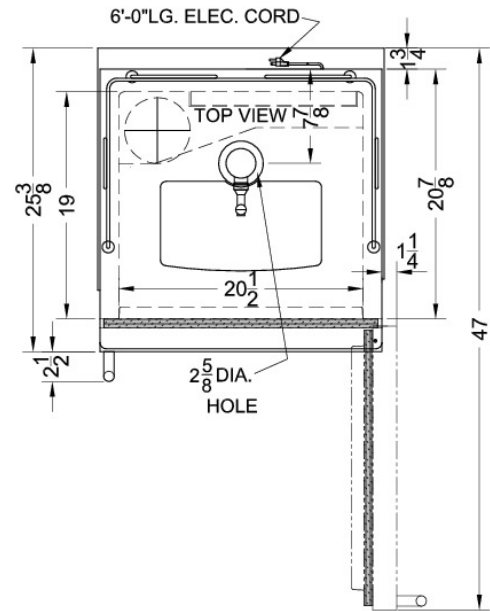


www.summitappliance.com



## SBC635MBISSTBTWIN Specifications:

Overview	
Height	33.5"
Width	24.0"
Width with Door Open	25.25"
Depth	25.38"
Depth with door at 90°	47.0"
Capacity	5.6 cu.ft.
Defrost Type	Automatic
Door	Stainless Steel
Cabinet	Black
US Electrical Safety	ETL
Canadian Electrical Safety	ETL-C
Energy Usage/Year	310.0kWh/year
Amps	0.86
Voltage/Frequency	115 V AC/60 Hz
Weight	110.0 lbs.
Shipping Weight	140.0 lbs.
Parts & Labor Warranty	1 Year
Compressor Warranty	5 Years
Beer Dispenser	
Door Swing	RHD
Reversible	Factory Reversible
Tap Kit	Yes
Number of Taps	2
Thermostat Type	Dial
Fan Type	Interior
Freon Type	R600a
Freon Amount	1.13
High Side PSI	250.0
Low Side PSI	110.0
Interior Height	28.0"
Interior Width	20.0"
Interior Depth	19.0"
Compressor Step Height	8.25"
Level Legs Qty	4
Wheel Qty	4
Temperature Range	33° to 50° F



SUMMIT APPLIANCE DIVISION FELIX STORCH, INC.

770 Garrison Avenue, Bronx, NY 10474 USA TEL 718-893-3900 FAX 844-478-8799

info@summitappliance.com



www.summitappliance.com