

**2218WC • 18" Wine Captain® Model • 2000 Series**

**FEATURES & BENEFITS**



STAINLESS FRAME



INTEGRATED FRAME

<b>PERFORMANCE</b>	<ul style="list-style-type: none"> <li>• Volume of 3.6 cu ft holds up to 31 wine bottles (750 ml)</li> <li>• Digital Touch Pad Control is conveniently located on upper face of unit</li> <li>• Temperature range: 38°F - 65°F</li> <li>• Convection cooling system rapidly and efficiently takes items to the set temperature</li> <li>• Maintains temperature to within 1°F of the set point to maximize preservation</li> <li>• Relative humidity inside the unit is approx. 50%</li> <li>• Rubber mounted compressor virtually eliminates vibration</li> </ul>
<b>INTERIOR/EXTERIOR</b>	<ul style="list-style-type: none"> <li>• Black interior is illuminated with LED lighting that automatically turns off when the door is closed, or can be set to stay on for 3 hours</li> <li>• Full extension black vinyl coated wine racks allow for easy access and prevent bottles from shifting</li> <li>• Wine racks accommodate a variety of bottle shapes and sizes, while the third and sixth racks allow for larger diameter wine and champagne bottles</li> <li>• LowE coated, argon gas filled thermopane glass door provides protection from harmful UV light</li> <li>• Standard commercial stainless steel handle is interchangeable with professional handle accessory</li> <li>• Must be ordered right-hand or left-hand hinged</li> </ul>
<b>INTEGRATION</b>	<ul style="list-style-type: none"> <li>• Solid natural beech wood fronts on wine racks can easily be stained to match surrounding cabinetry</li> <li>• Robust, concealed and covered hinges with built-in door stop and closer</li> <li>• Integrated model requires ¾" custom door panel (panels not supplied by U-Line)</li> <li>• Fixed grille can accept an integrated toe-kick</li> <li>• Four independently adjustable leveling legs provide a precise undercounter fit</li> </ul>

**MODEL DETAILS**

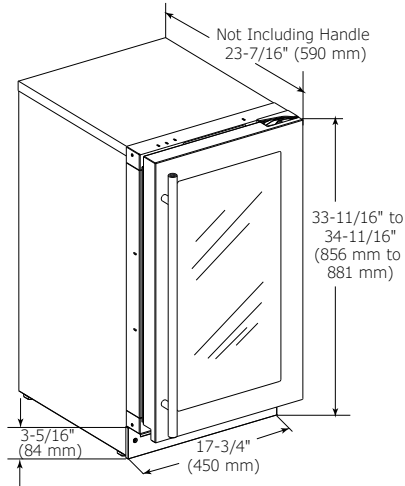
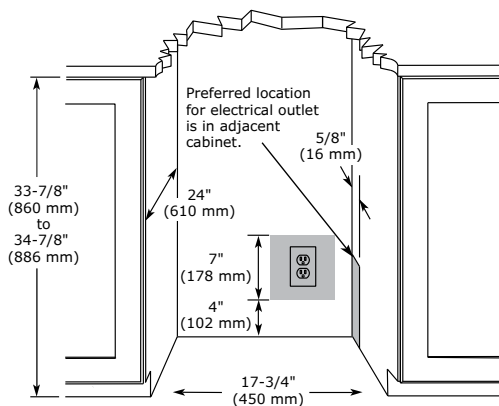
Model	Voltage/Hz	Door Swing	Finish	Shipping Weight
U-2218WCS-00A	115 / 60	Right-Hand Hinge	Stainless Frame	134 lbs
U-2218WCS-01A	115 / 60	Left-Hand Hinge	Stainless Frame	134 lbs
U-2218WCINT-00A	115 / 60	Right-Hand Hinge	Integrated Frame	132 lbs
U-2218WCINT-01A	115 / 60	Left-Hand Hinge	Integrated Frame	132 lbs

**ACCESSORIES**

Model	Description	Finish	Shipping Weight
23074	Professional Door Handle, 1 ¼" Diameter	Stainless	2 lbs
23073	Commercial Door Handle, 7/8" Diameter	Stainless	2 lbs

**2000 Series • 18" Wine Captain® Model • 2218WC**
**DIMENSIONS**

Dimensions shown apply to all finishes, including Integrated (INT) models with 3/4" integrated panel/frame installed.


**CABINET CUT-OUT**

**INSTALLATION NOTES**

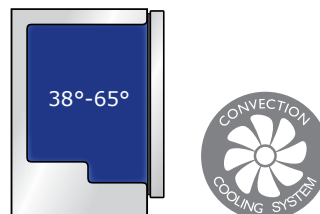
When installing adjacent to wall, ensure 2 1/2" clearance on hinged side for 90° door opening, allowing ample room for door handle.

No additional clearance around sides, top or rear of unit is needed for ventilation.

Do not obstruct front grille air flow.

**SPECIFICATIONS**

Model	2218WC
Amps: Running	1.2
Capacity: Average Volume (cu ft)	3.6
Capacity: Wine Bottle (750 ml)	31
Control Type	Digital Touch Pad
Dimensions: Product Depth	23 7/16" / 590 mm
Dimensions: Product Height	33 11/16" / 856 mm
Dimensions: Product Width	17 3/4" / 450 mm
Energy Consumption: Avg. Per Year	250 kWh
ENERGY STAR	na
Panel Height	30" / 762 mm
Panel Thickness	3/4" / 20 mm
Panel Type	2 3/4" / 70 mm Frame Panel
Panel Width	17 1/2" / 445 mm
Product Weight: Max	125 lbs
Refrigerant Type	R600a
Sabbath (Star K Certified)	Yes
Temperature Range	38°F - 65°F

**COOLING SYSTEM**

**ELECTRICAL REQUIREMENTS**

This unit requires a grounded a polarized 115 VAC, 60 Hz, 15 A power supply (normal household current).



Residential

Please visit [u-line.com](http://u-line.com) to view this model's User Guide. All specifications are subject to change without notice.