

2224BEV • 24" Beverage Center • 2000 Series

FEATURES & BENEFITS



STAINLESS FRAME



STAINLESS FRAME (LOCK)



INTEGRATED FRAME



INTEGRATED SOLID

| | |
|--------------------------|---|
| PERFORMANCE | <ul style="list-style-type: none"> • Volume of 4.9 cu ft holds up to 79 bottles (12 oz) or 123 cans (12 oz) and 10 wine bottles (750 ml) • Digital Touch Pad Control is conveniently located on upper face of unit • Temperature range: 34°F - 45°F • Convection cooling system rapidly and efficiently takes items to the set temperature • Maintains temperature to within 1°F of the set point to maximize preservation |
| INTERIOR/EXTERIOR | <ul style="list-style-type: none"> • Black interior is illuminated with LED lighting that automatically turns off when the door is closed, or can be set to stay on for 3 hours • Full extension black vinyl coated wine racks allow for easy access and prevent bottles from shifting • Wine racks accommodate a variety of bottle shapes and sizes • Three adjustable tempered glass shelves with 7 height positions • LowE coated, argon gas filled thermopane glass door provides protection from harmful UV light • Standard commercial stainless steel handle is interchangeable with professional handle accessory |
| INTEGRATION | <ul style="list-style-type: none"> • Solid natural beech wood fronts on wine racks can easily be stained to match surrounding cabinetry • Robust, concealed and covered hinges with built-in door stop and closer • Integrated model requires 3/4" custom door panel (panels not supplied by U-Line) • Fixed grille can accept a 1/4" custom integrated toe-kick • Four independently adjustable leveling legs provide a precise undercounter fit |

MODEL DETAILS

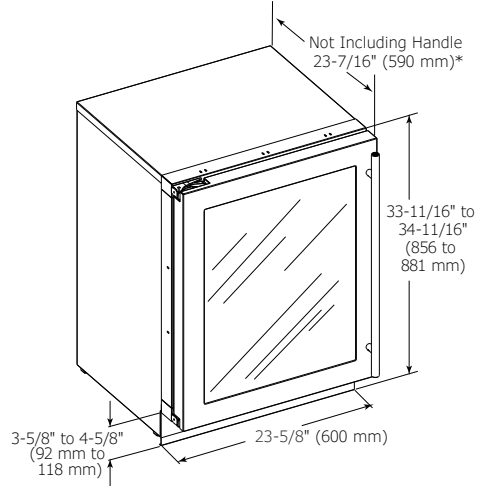
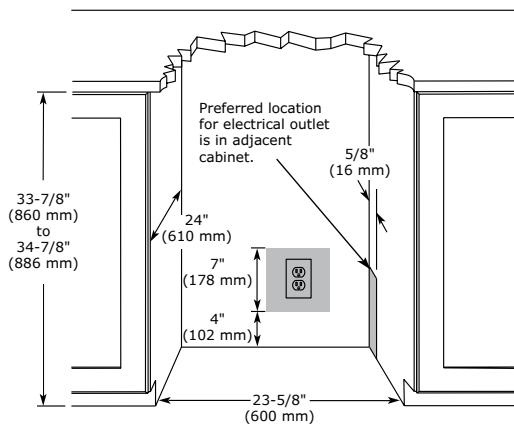
| Model | Voltage/Hz | Door Swing | Finish | Shipping Weight |
|------------------|------------|------------------|------------------------|-----------------|
| U-2224BEVS-00A | 115 / 60 | Right-Hand Hinge | Stainless Frame | 156 lbs |
| U-2224BEVS-01A | 115 / 60 | Left-Hand Hinge | Stainless Frame | 156 lbs |
| U-2224BEVS-13A | 115 / 60 | Right-Hand Hinge | Stainless Frame (Lock) | 156 lbs |
| U-2224BEVS-15A | 115 / 60 | Left-Hand Hinge | Stainless Frame (Lock) | 156 lbs |
| U-2224BEVINT-00A | 115 / 60 | Right-Hand Hinge | Integrated Frame | 144 lbs |
| U-2224BEVINT-01A | 115 / 60 | Left-Hand Hinge | Integrated Frame | 144 lbs |
| U-2224BEVINT-60A | 115 / 60 | Right-Hand Hinge | Integrated Solid | 132 lbs |
| U-2224BEVINT-61A | 115 / 60 | Left-Hand Hinge | Integrated Solid | 132 lbs |

ACCESSORIES

| Model | Description | Finish | Shipping Weight |
|-------|---|-----------|-----------------|
| 23074 | Professional Door Handle, 1 1/4" Diameter | Stainless | 2 lbs |
| 23073 | Commercial Door Handle, 7/8" Diameter | Stainless | 2 lbs |

2000 Series • 24" Beverage Center • 2224BEV
DIMENSIONS

Dimensions shown apply to all finishes, including Integrated (INT) models with 3/4" integrated panel/frame installed.


CABINET CUT-OUT

INSTALLATION NOTES

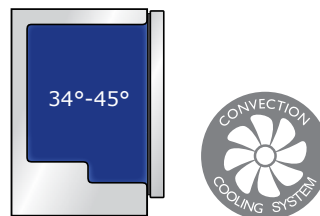
When installing adjacent to wall, ensure 2 1/2" clearance on hinged side for 90° door opening, allowing ample room for door handle.

No additional clearance around sides, top or rear of unit is needed for ventilation.

Do not obstruct front grille air flow.

SPECIFICATIONS

| | |
|-----------------------------------|----------------------------|
| Model | 2224BEV |
| Amps: Running | 1.2 |
| Capacity: Bottle (12 oz) | 79 |
| Capacity: Can (12 oz) | 123 |
| Capacity: Volume (cu ft) | 4.9 |
| Capacity: Wine Bottle (750 ml) | 10 |
| Control Type | Digital Touch Pad |
| Dimensions: Product Depth | 23 7/16" / 590 mm |
| Dimensions: Product Height | 33 11/16" / 856 mm |
| Dimensions: Product Width | 23 5/8" / 600 mm |
| Energy Consumption: Avg. Per Year | 300 kWh |
| ENERGY STAR | No |
| Panel Height | 30" / 762 mm |
| Panel Thickness | 3/4" / 20 mm |
| Panel Type | 2 3/4" / 70 mm Frame Panel |
| Panel Width | 23 3/8" / 594 mm |
| Product Weight: Max | 135 lbs |
| Refrigerant Type | R600a |
| Sabbath (Star K Certified) | Yes |
| Temperature Range | 34°F - 45°F |

COOLING SYSTEM

ELECTRICAL REQUIREMENTS

This unit requires a grounded a polarized 115 VAC, 60 Hz, 15 A power supply (normal household current).



Residential

Please visit u-line.com to view this model's User Guide. All specifications are subject to change without notice.