

3036WCWC • 36" Wine Captain® Model • Modular 3000 Series

FEATURES & BENEFITS



PERFORMANCE	<ul style="list-style-type: none"> • Volume of 7.0 cu ft holds up to 62 wine bottles (750 ml) • U-Select® Control with digital OLED display is ergonomically located on top of door • Temperature range: 38°F - 65°F • Convection cooling system rapidly and efficiently takes items to the set temperature • U-Select® Control has three distinct modes: Sparkling Wine: 38°F - 50°F, White Wine: 45°F - 55°F, Red Wine: 55°F - 65°F • Maintains temperature to within 1°F of the set point to maximize preservation • Independently controlled dual-zones • Relative humidity inside the unit is approx. 50% • Rubber mounted compressor virtually eliminates vibration
INTERIOR/EXTERIOR	<ul style="list-style-type: none"> • Black interior is illuminated with LED theater lighting that automatically turns off when the door is closed, or can be set to stay on for 3, 6, or 24 hours • Full extension black vinyl coated wine racks allow for easy access and prevent bottles from shifting • Wine racks accommodate a variety of bottle shapes and sizes; the fourth and fifth racks allow for larger diameter wine and champagne bottles • LowE coated, argon gas filled thermopane glass door provides protection from harmful UV light • Standard commercial stainless steel handle are interchangeable with professional handle accessory • Door lock model available
INTEGRATION	<ul style="list-style-type: none"> • Robust, concealed and covered hinges with built-in door stop and closer • Adjustable grille can be shifted front-to-back and up-and-down • Integrated model requires ¾" custom door panel (panels not supplied by U-Line) • Grille can accept an integrated toe-kick • Four independently adjustable leveling legs; rear legs are adjustable from the front for ease of installation



STAINLESS FRAME



STAINLESS FRAME (LOCK)



INTEGRATED FRAME

MODEL DETAILS

Model	Voltage/Hz	Door Swing	Finish	Shipping Weight
U-3036WCWCS-00A	115 / 60	Double Doors	Stainless Frame	252 lbs
U-3036WCWCS-13A	115 / 60	Double Doors	Stainless Frame (Lock)	252 lbs
U-3036WCWCINT-00A	115 / 60	Double Doors	Integrated Frame	235 lbs
U-3036WCWCINT-60A	115 / 60	Double Doors	Integrated Solid	234 lbs

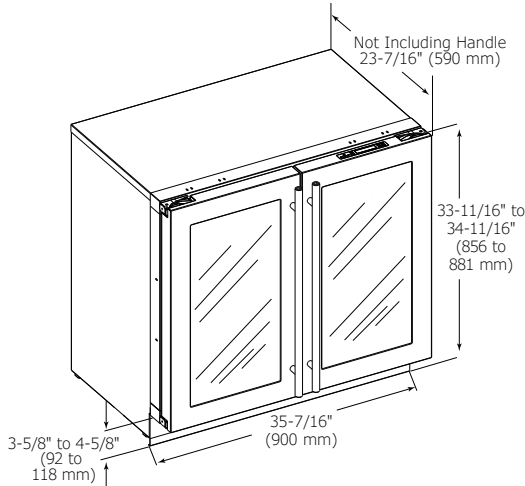
ACCESSORIES

Model	Description	Finish	Shipping Weight
23074	Professional Door Handle, 1 ¼" Diameter (1 handle per box)	Stainless	2 lbs
23073	Commercial Door Handle, 7/8" Diameter	Stainless	2 lbs

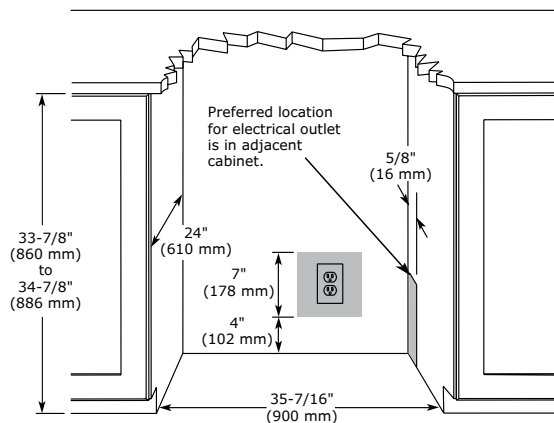
Modular 3000 Series • 36" Wine Captain® Model • **3036WCWC**

DIMENSIONS

Dimensions shown apply to all finishes, including Integrated (INT) models with 3/4" integrated panel/frame installed.



CABINET CUT-OUT



SPECIFICATIONS

Model	3036WCWC
Amps: Running	1.2
Capacity: Volume (cu ft)	7.0
Capacity: Wine Bottle (750 ml)	62
Control Type	U-Select®
Dimensions: Product Depth	23 7/16" / 590 mm
Dimensions: Product Height	33 11/16" / 856 mm
Dimensions: Product Width	35 7/16" / 900 mm
Energy Consumption: Avg. Per Year	250 kWh
ENERGY STAR	na
Panel Height	30" / 762 mm
Panel Thickness	3/4" / 20 mm
Panel Type	2 3/4" / 70 mm Frame Panel or Solid Panel (-60 suffix)
Panel Width	17 1/2" / 445 mm
Product Weight: Max	226 lbs
Refrigerant Type	R600a
Sabbath (Star K Certified)	Yes
Temperature Range	38°F - 65°F

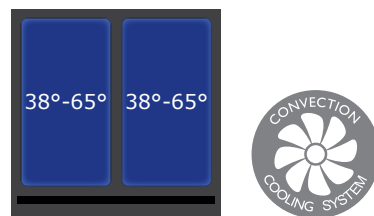
INSTALLATION NOTES

When installing adjacent to wall, ensure 2 1/2" clearance on hinged side for 90° door opening, allowing ample room for door handle.

No additional clearance around sides, top or rear of unit is needed for ventilation.

Do not obstruct front grille air flow.

COOLING SYSTEM



ELECTRICAL REQUIREMENTS

This unit requires a grounded a polarized 115 VAC, 60 Hz, 15 A power supply (normal household current).

Please visit u-line.com to view this model's User Guide. All specifications are subject to change without notice.

