

# 15" Marvel Standard Efficiency Single Zone Wine Cellar

Model # 30WCM\*\*\*\*

- MARVEL Prime™ Controls allow you to set cabinet temperature from 40°F to 65°F
- Tinted, UV-resistant glass protects wine from damaging ultra-violet light
- Thermal-efficient cabinet ensures optimum food preservation and energy efficiency while maximizing capacity
- Tinted, UV-resistant dual pane glass door protects wine from damaging ultra-violet light
- White incandescent display lighting and midnight black interior
- Natural maple shelf fronts are stainable to match cabinetry
- Close Door Assist System™ gently and automatically closes door
- Sleek stainless steel door, designer handle and adjustable black toe grill
- Height adjustment up to 1" with leveling legs
- Filler kit available for 18" wide opening, see page 58
- 4" black adjustable toe kick
- Vibration Neutralization System™ protects wine from agitation
- 1-year warranty



## Storage Capacity

23 bottles total

## Storage Configuration

- (5) 4-bottle rollout wine racks
- (1) 3-bottle wine cradle

## Product Dimensions

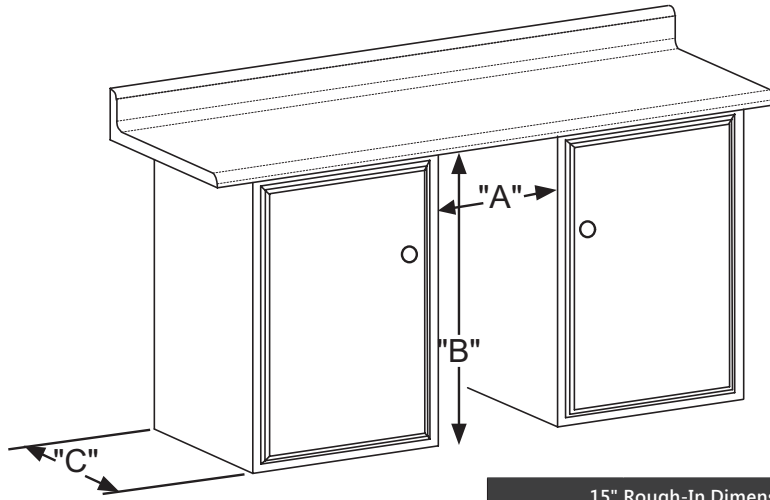
14<sup>3</sup>/<sub>4</sub>" W x 33<sup>3</sup>/<sub>4</sub>" minimum H x 24<sup>1</sup>/<sub>16</sub>" D  
(including handle)

## Finish/Door Options

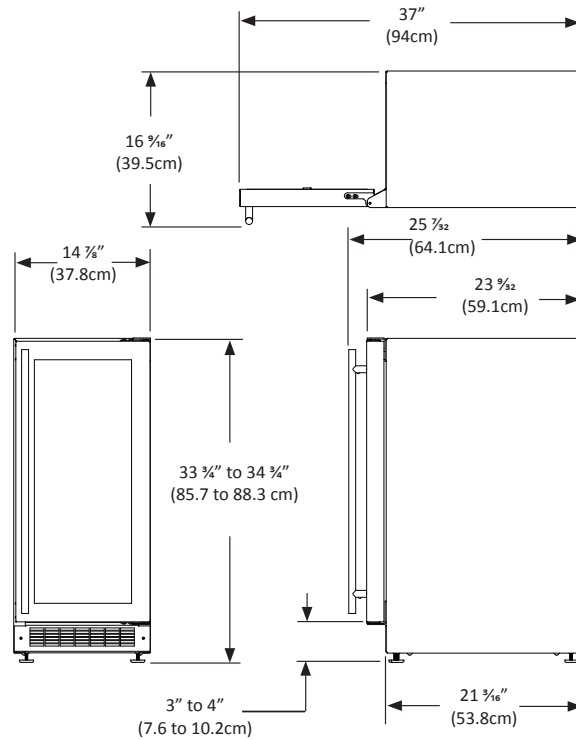


Stainless Steel

Ordering Details	
Stainless Frame Glass Door, Right Hinge	30WCM-BS-G-R
Stainless Frame Glass Door, Left Hinge	30WCM-BS-G-L



15" Rough-In Dimensions		
"A"	"B"	"C"
15" (38.1 cm)	**34" to 35" (86.4 to 88.9 cm)	24" (61 cm)



<b>Width</b>	14 3/4"
<b>Interior Finish</b>	Black
<b>Capacity</b>	Up to 23 wine bottles
<b>Shelving System</b>	Side mount - tray
<b>Shelf Fronts</b>	Black painted maple
<b>Other Storage</b>	2 Roll out 7 bottle display racks 1 roll-out 5 bottle display rack
<b>Interior Lighting</b>	1 incandescent bulb
<b>Toe Grill Finish</b>	Black
<b>Hinge</b>	Classic Hinge
<b>Handle</b>	Designer

<b>Control Type</b>	Marvel Prime™
<b>Temperature Range</b>	40° - 65° F
<b>Lock</b>	NA
<b>Electrical Requirements</b>	120V / 60Hz / 15A
<b>Length of Power Cord</b>	5'
<b>Product Dimensions</b>	14 3/4" W x 33 3/4" H x 21 3/16" D
<b>Depth to Front of Door</b>	23 3/4"
<b>Depth to Handle</b>	25 7/32"
<b>Depth with door at 90°</b>	37"
<b>Shipping Weight</b>	121 lbs

<b>Finishes</b>	SS
<b>Vacation / Sabbath Mode</b>	Yes
<b>Agency Approvals</b>	CSA
<b>ENERGY STAR Certified</b>	NA

#### Finishes Key

SS = Stainless Steel