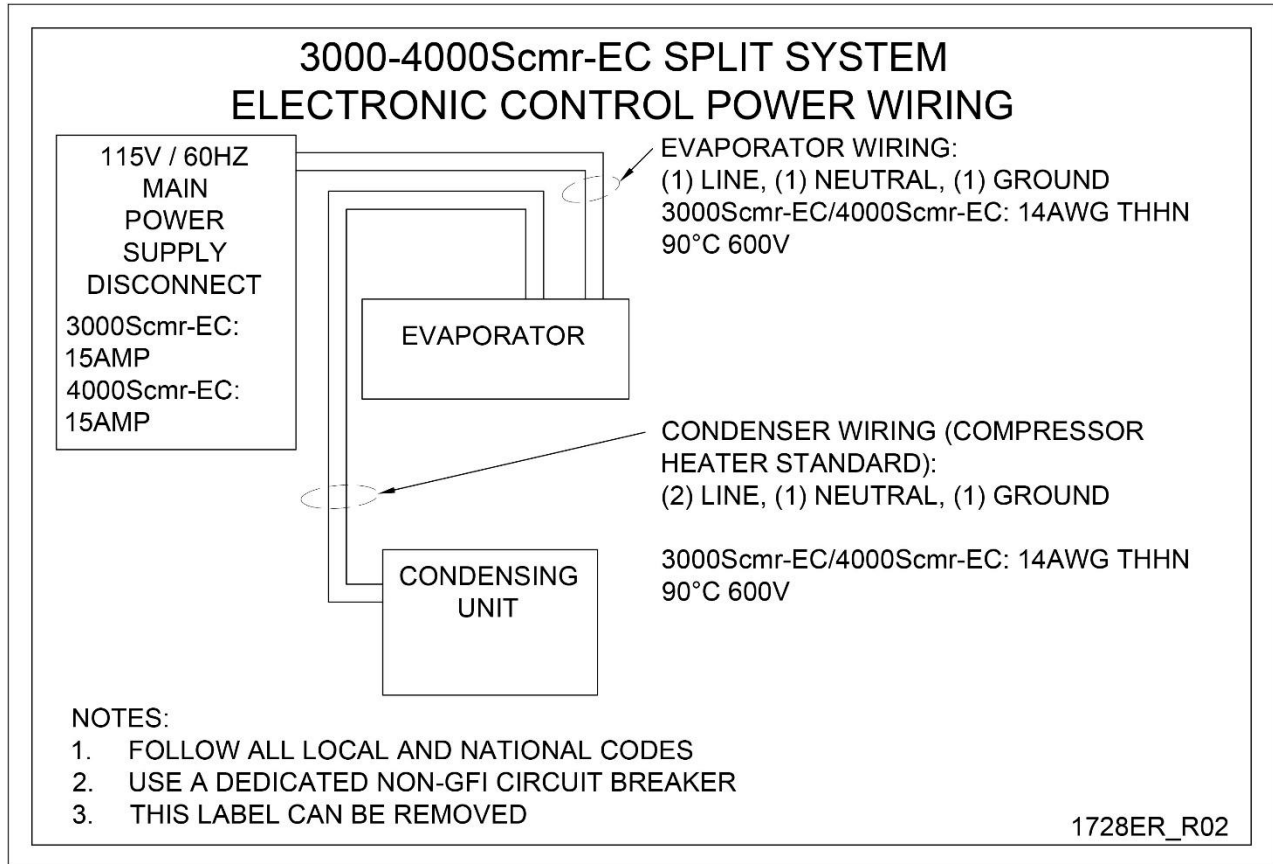


Wiring Diagram: Single Power / Electronic Control

3000-4000
Scmr-EC

Power Wiring Schematic

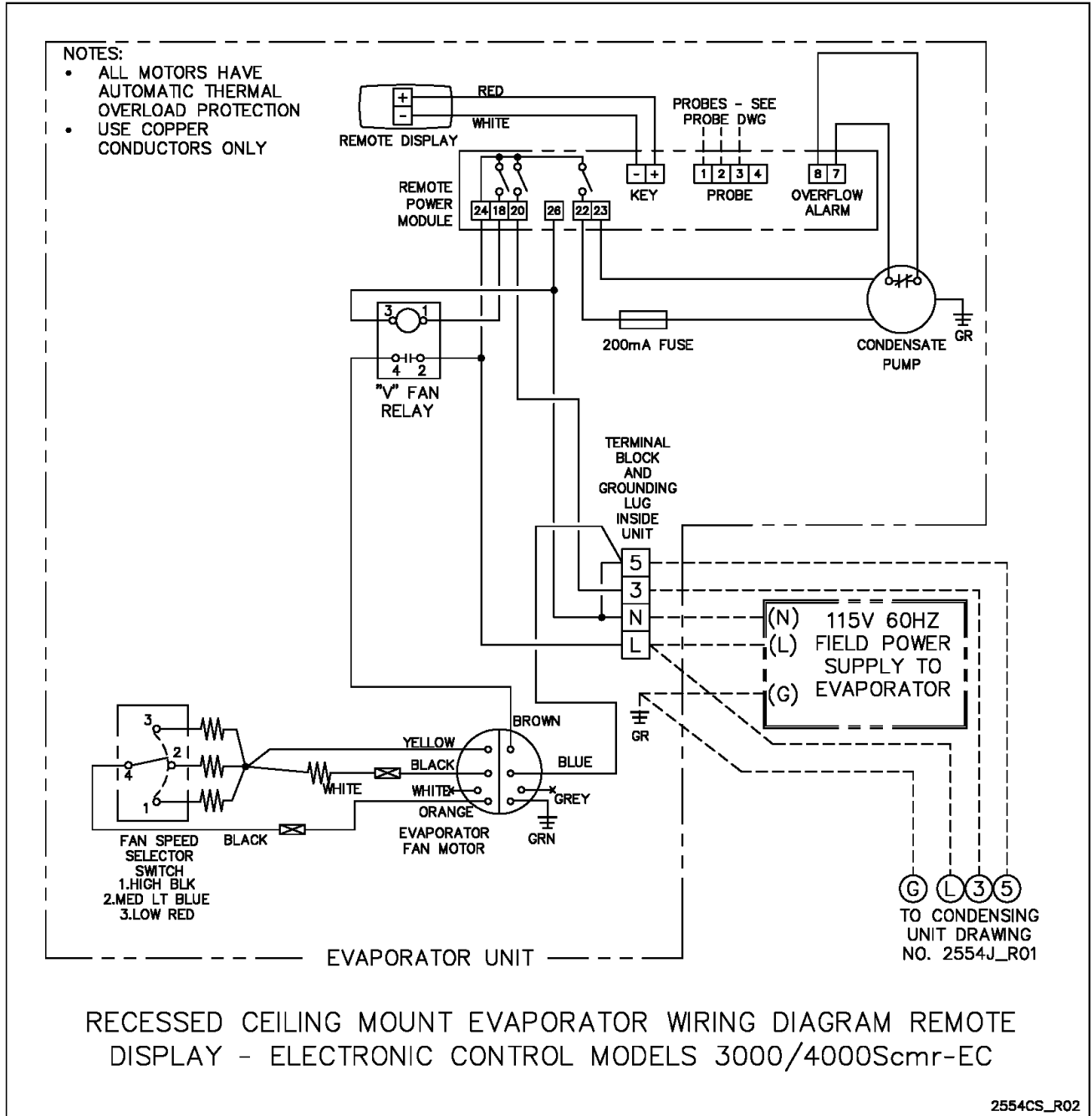


Note: Refer to Owner's Manual for detailed wiring schematics by model and configuration.

Wiring Diagram: Single Power / Electronic Control

3000-4000
Scmr-EC

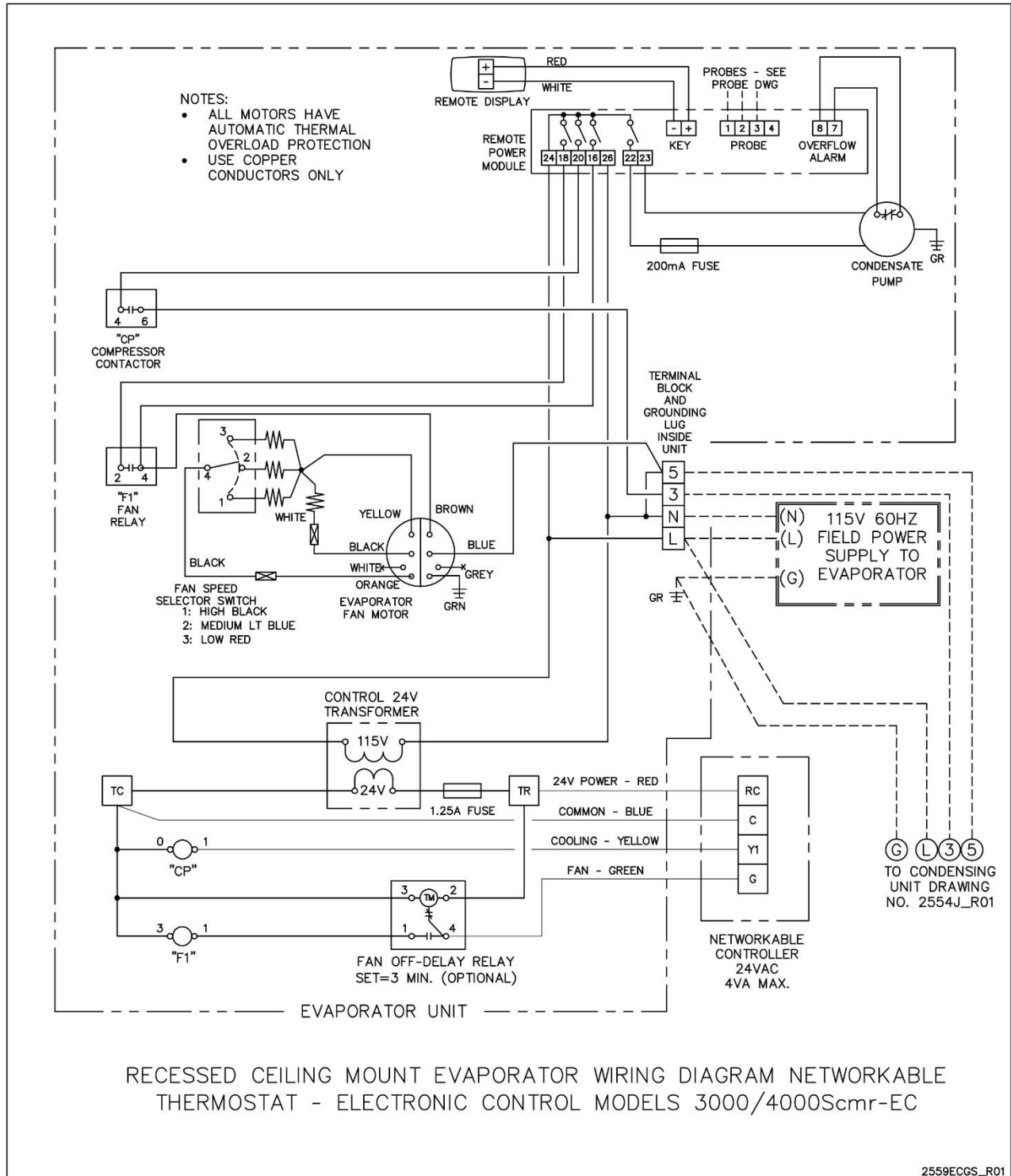
Evaporator Wiring Schematic



Wiring Diagram: Single Power / Electronic Control

3000-4000
Scmr-EC

Networkable Thermostat Evaporator Wiring Schematic



Wiring Diagram: Single Power / Electronic Control

3000-4000
Scmr-EC

Condensing Unit Wiring Schematic

