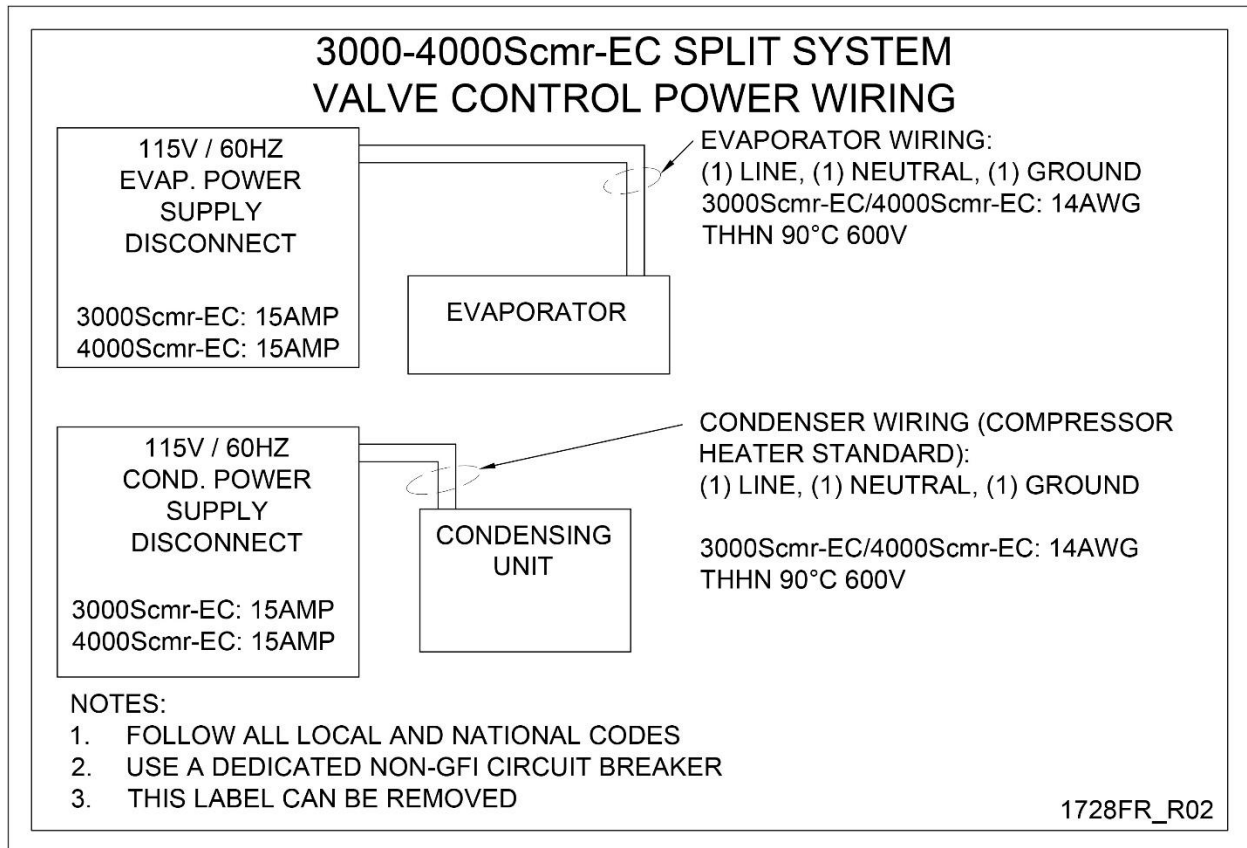


Wiring Diagram: Dual Power / Valve Control

3000-4000
Scmr-EC

Power Wiring Schematic



Note: Refer to Owner's Manual for detailed wiring schematics by model and configuration.

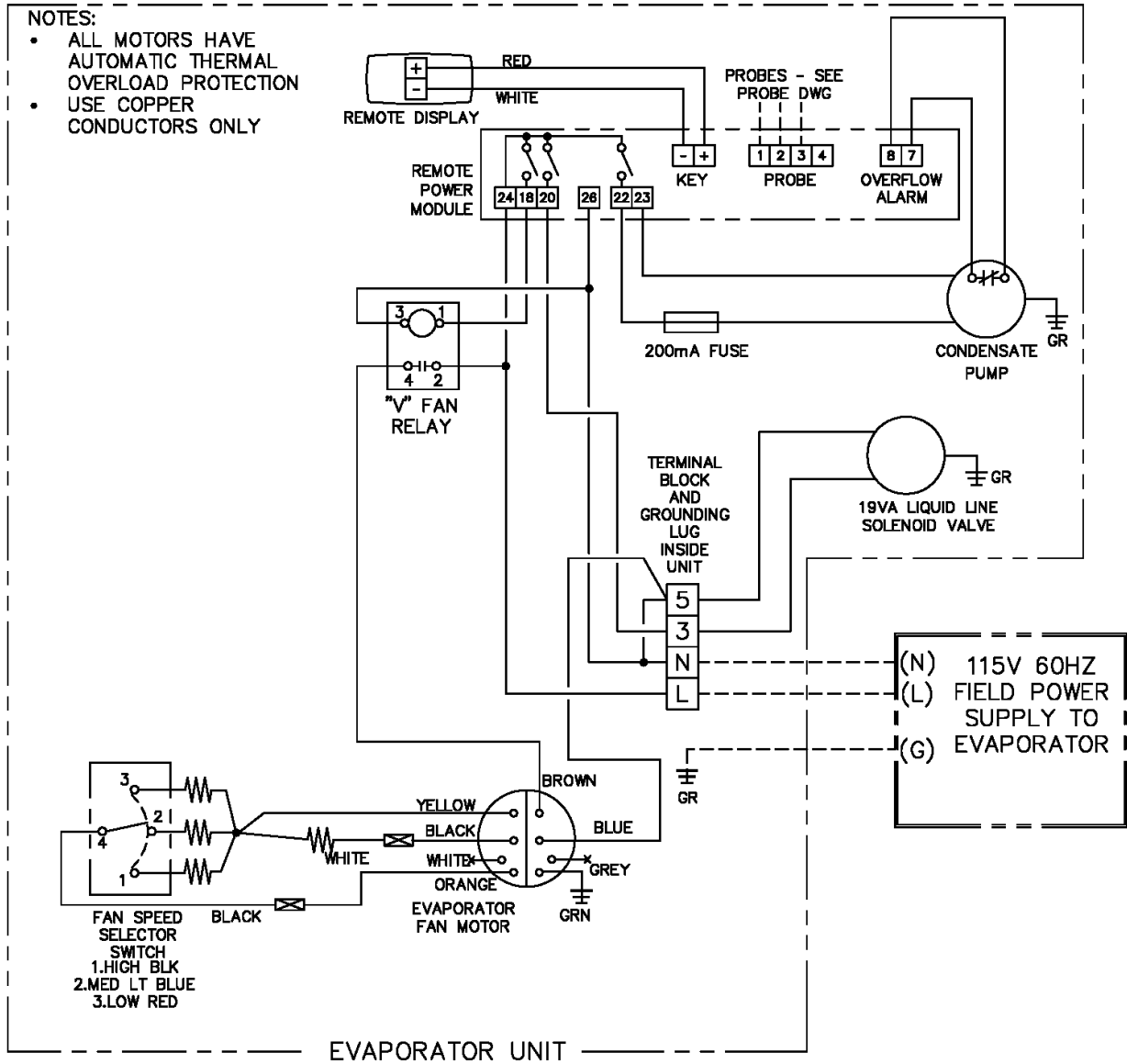
Wiring Diagram: Dual Power / Valve Control

3000-4000
Scmr-EC

Evaporator Wiring Schematic

NOTES:

- ALL MOTORS HAVE AUTOMATIC THERMAL OVERLOAD PROTECTION
- USE COPPER CONDUCTORS ONLY



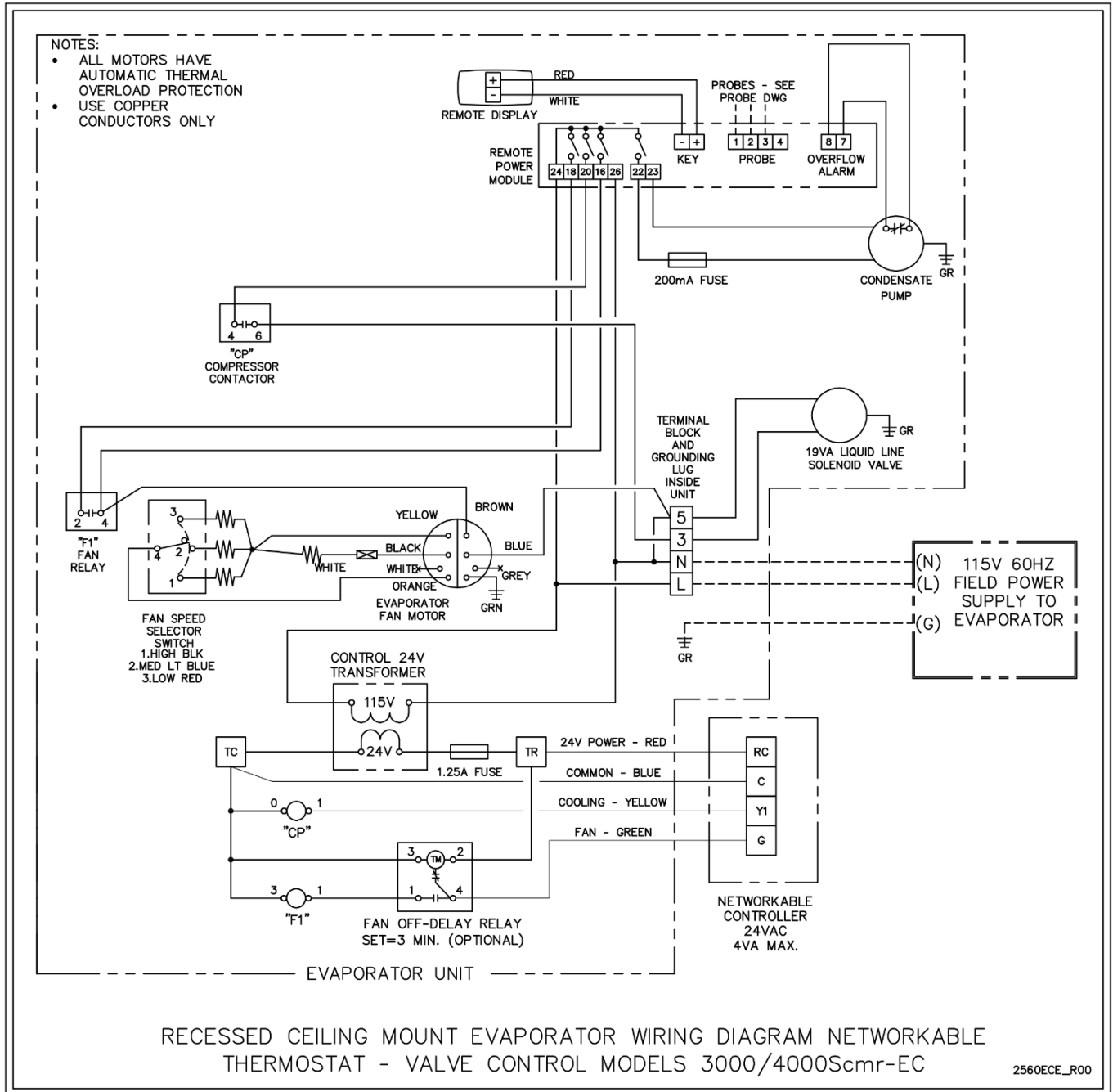
RECESSED CEILING MOUNT EVAPORATOR WIRING DIAGRAM REMOTE DISPLAY - VALVE CONTROL MODELS 3000/4000Scmr-EC

2558A_R01

Wiring Diagram: Dual Power / Valve Control

3000-4000
Scmr-EC

Networkable Thermostat Evaporator Wiring Schematic



Wiring Diagram: Dual Power / Valve Control

3000-4000
Scmr-EC

Condensing Unit Wiring Schematic

