

ADA24R • 24" ADA Solid Door Refrigerator • ADA Series

FEATURES & BENEFITS



STAINLESS SOLID (LOCK)



BLACK SOLID (LOCK)

| | |
|--------------------------|--|
| PERFORMANCE | <ul style="list-style-type: none"> • Volume of 5.3 cu ft holds up to 70 bottles (12 oz) or 140 cans (12 oz) • Digital Touch Pad Control is conveniently located on upper face of unit • Temperature range: 34°F - 45°F • Convection cooling system rapidly and efficiently takes items to the set temperature • Maintains temperature to within 1°F of the set point to maximize preservation |
| INTERIOR/EXTERIOR | <ul style="list-style-type: none"> • 32" height meets ADA height requirement yet maximizes allowable space • White interior is illuminated with LED lighting • Four chrome plated durable wire shelves • Standard commercial stainless steel handle is interchangeable with professional handle accessory • Door swing is field reversible • Door lock is standard |
| INTEGRATION | <ul style="list-style-type: none"> • Unit is designed to be built-in or can be freestanding • Four independently adjustable leveling legs provide a precise undercounter fit • Available in the following finishes: Stainless or Black |

MODEL DETAILS

| Model | Voltage/Hz | Door Swing | Finish | Shipping Weight |
|---------------|------------|------------------|------------------------|-----------------|
| U-ADA24RS-13A | 115 / 60 | Field Reversible | Stainless Solid (Lock) | 123 lbs |
| U-ADA24RB-13A | 115 / 60 | Field Reversible | Black Solid (Lock) | 123 lbs |

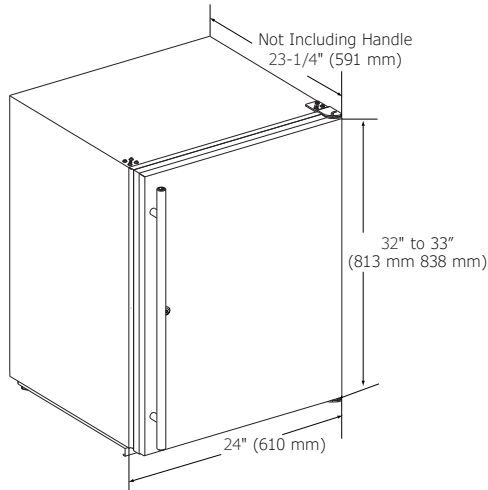
ACCESSORIES

| Model | Description | Finish | Shipping Weight |
|-------|---|-----------|-----------------|
| 23074 | Professional Door Handle, 1 3/4" Diameter | Stainless | 2 lbs |
| 23073 | Commercial Door Handle, 7/8" Diameter | Stainless | 2 lbs |

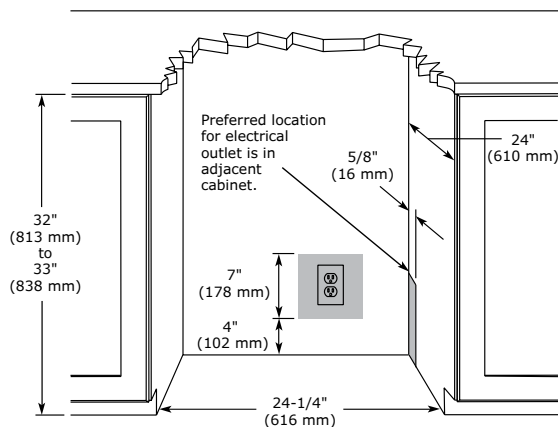
ADA Series • 24" ADA Solid Door Refrigerator • **ADA24R**

DIMENSIONS

Dimensions shown apply to all finishes, including Integrated (INT) models with 3/4" integrated panel/frame installed.



CABINET CUT-OUT



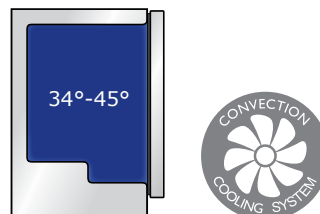
INSTALLATION NOTES

- When installing adjacent to wall, ensure 2 1/2" clearance on hinged side for 90° door opening, allowing ample room for door handle.
- Cutout includes the additional 1/4" width overall to ensure proper installation.
- No additional clearance around sides, top or rear of unit is needed for ventilation.
- Do not obstruct front grille air flow.

SPECIFICATIONS

| | |
|-----------------------------------|----------------------|
| Model | ADA24R |
| Amps: Running | 1.2 |
| Capacity: Bottle (12 oz) | 70 |
| Capacity: Can (12 oz) | 140 |
| Capacity: Volume (cu ft) | 5.3 |
| Control Type | Digital Touch Pad |
| Dimensions: Product Depth | 23 1/4" / 591 mm |
| Dimensions: Product Height | 32" / 813 mm |
| Dimensions: Product Width | 24" / 610 mm |
| Energy Consumption: Avg. Per Year | 240 kWh |
| ENERGY STAR / CEE RATING | ENERGY STAR / Tier 3 |
| Product Weight: Max | 117 lbs |
| Refrigerant Type | R600a |
| Sabbath (Star K Certified) | Yes |
| Temperature Range | 34°F - 45°F |

COOLING SYSTEM



ELECTRICAL REQUIREMENTS

This unit requires a grounded a polarized 115 VAC, 60 Hz, 15 A power supply (normal household current).

Please visit u-line.com to view this model's User Guide. All specifications are subject to change without notice.



Residential & Commercial