

Model: TCK-1BF-3

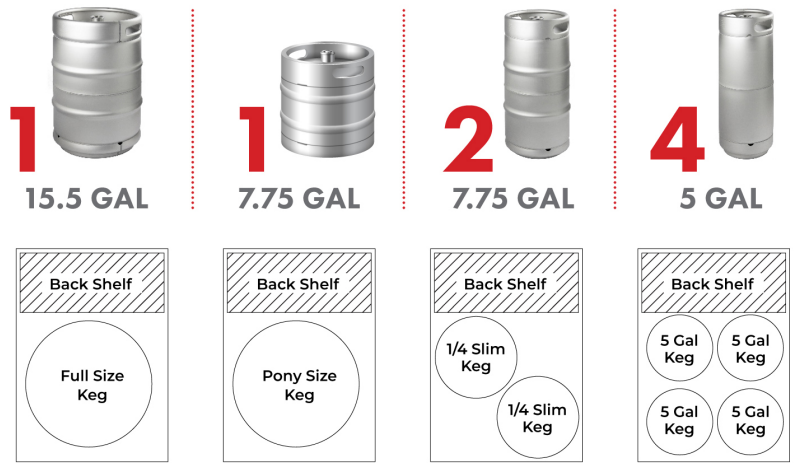
# KEGCO 24" WIDE TRIPLE TAP COMMERCIAL BLACK DIGITAL KEGERATOR



## FEATURES

- COMMERCIAL GRADE
- HEAVY DUTY STAINLESS STEEL TOP
- STAINLESS STEEL INTERIOR WALLS AND CEILING
- DIGITAL TEMPERATURE CONTROL PANEL
- COLD AIR CHanneled THROUGH TOWER
- KNOCKOUT FOR REMOTE CO<sub>2</sub> OR NITROGEN TANK

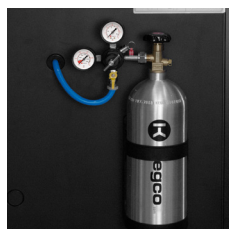
## CAPACITY OPTIONS



\*With external tank

## DESCRIPTION

- Ideal for busy restaurants, pubs, bars and tasting rooms
- Durable steel construction with stainless steel top
- Easily holds a full size keg or multiple smaller kegs
- Optional drip tray with internal drain receptacle to collect spills
- Customize the draft beer dispense system to suit your particular needs
- NSF compliant and ETL sanitation listed for commercial use



(800) 710 9939

support@beveragefactory.com  
www.beveragefactory.com

### OUR SHOWROOM

8520 Miralani Drive  
San Diego, CA 92126

Mon-Fri, 7:00am - 4:00pm

Model: TCK-1BF-3

## KEGCO 24" WIDE TRIPLE TAP COMMERCIAL BLACK DIGITAL KEGERATOR

| DIMENSIONS               |             |
|--------------------------|-------------|
| Height (without casters) | 35"         |
| Height (with casters)    | 39"         |
| Width                    | 24"         |
| Depth                    | 31"         |
| Shipping Dimensions      | 28"x36"x46" |

| WEIGHT          |          |
|-----------------|----------|
| Unit Weight     | 152 lbs. |
| Shipping Weight | 180 lbs. |

| KEG STORAGE CAPACITIES   |                    |
|--------------------------|--------------------|
| Full Size / 1/2-Barrel   | 1                  |
| Pony Size / 1/4-Barrel   | 1                  |
| 1/4-Barrel Slim          | 2                  |
| 1/6-Barrel               | 4 w/ external tank |
| 5 gal. Ball/Pin Lock Keg | 4 w/ external tank |

| CONTROLS              |     |
|-----------------------|-----|
| Adjustable Thermostat | Yes |
| Digital               | Yes |

| KEY FEATURES         |                 |
|----------------------|-----------------|
| Built-in Capable     | No              |
| Keg Coupler          | Optional Add-On |
| Security Lock        | Yes             |
| Regulator            | Optional Add-On |
| CO <sub>2</sub> Tank | Optional Add-On |
| Cleaning Kit         | Optional Add-On |
| Outdoor Use          | No              |
| Commercial Use       | Yes             |

| ELECTRICAL              |           |
|-------------------------|-----------|
| Electrical Requirements | 115v/60hz |
| Running Amps            | 1.7 A     |

| CERTIFICATIONS        |     |
|-----------------------|-----|
| ETL Listed            | Yes |
| ETL Sanitation Listed | Yes |

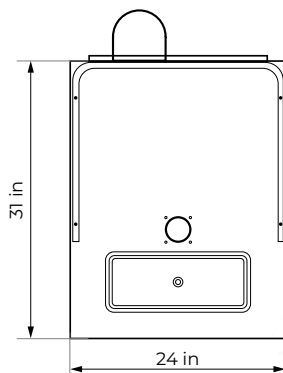
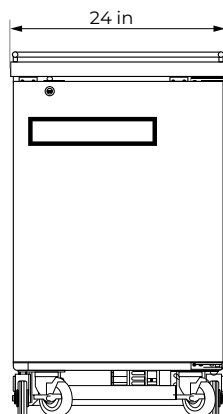
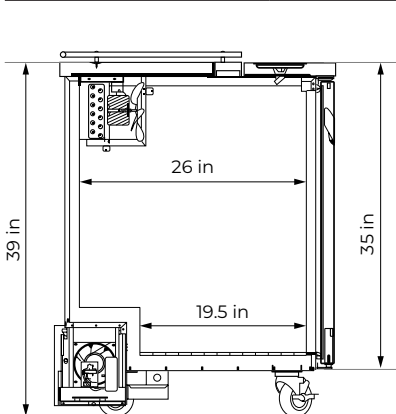
| WARRANTY                |         |
|-------------------------|---------|
| Labor                   | 1 Year  |
| Parts                   | 1 Year  |
| Compressor (Parts Only) | 5 Years |

| EXTERIOR   |       |
|------------|-------|
| Cabinet    | Black |
| Drip Tray  | Yes   |
| Guard Rail | Yes   |
| Casters    | Yes   |

| DOOR                         |          |
|------------------------------|----------|
| Color / Material             | Black    |
| Number of Doors              | 1        |
| Door Handle                  | Recessed |
| Field Reversible             | No       |
| Accepts Custom Overlay Panel | No       |

| DRAFT TOWER       |                 |
|-------------------|-----------------|
| Number of Faucets | 3               |
| Material          | Stainless Steel |
| Height            | 14"             |
| Diameter          | 3"              |

| COOLING SYSTEM    |            |
|-------------------|------------|
| Type              | Compressor |
| Defrost System    | Automatic  |
| Front Ventilation | No         |



**(800) 710 9939**

support@beveragefactory.com  
www.beveragefactory.com

### OUR SHOWROOM

8520 Miralani Drive  
San Diego, CA 92126

Mon-Fri, 7:00am - 4:00pm