

CMSU4303X Available soon

classic

24" Fully-automatic built-in coffee system

EAN13: 8017709278519

AESTHETIC

Classic Design

Fingerprint-proof stainless steel

Full-color TFT touch screen display

4 LED lights

FUNCTIONS

Regular / Double coffee (1 or 2 cups simultaneously)

Automatic cappuccino maker, with separate milk tank

Hot-water function, for tea and other hot drinks

Rinse

Descale

TECHNICAL SPECIFICATIONS

Adjustable coffee intensity (5 levels):

- Extra-light, light, medium, strong, extra-strong

Adjustable coffee size (5 levels) and temperature (3 levels)

Pump pressure: 15 bar / 217 psi

13 grind settings for coffee beans

Programmable automatic switch-on

Multi-language display

Dedicated containers for coffee beans and ground coffee

Removable water tank

Frothing nozzle for cappuccino

Adjustable coffee dispenser (for different cup sizes)

Telescopic guides with soft-closing mechanism

Semi-professional stainless steel conical grinder

Stainless steel 0.5 L / 17 oz thermal carafe with auto-clean system

GENERAL SPECIFICATIONS

Dimensions (HxWxD): 17 13/16" x 23 1/2" x 18 1/4"

Water tank capacity: 81 oz

Coffee bean container capacity: 0.77 lbs

ELECTRICAL SPECIFICATIONS

Tension/frequency: 120V

Frequency: 60 Hz

Nominal power: 1,350 W

Current: 12.2 A



Functions



**SMEG U.S.A. INC.
A&D BUILDING
150 EAST 58th STREET, 7th FLOOR
NEW YORK, NY, 10155
Tel. +1 212 265 5378
Fax +1 212 265 5945**



Coffee beans:

You can use coffee beans in the coffee machine with the possibility to adjust the coarseness of grind.



Automatic switch on:

It is possible to program automatic switch on of the machine to make it ready for use by the required time.



Cappuccino:

An automatic device for making cappuccino that will whisk milk in a delicate foam directly into the cup.



Ground coffee:

You can use ground coffee or coffee beans in the coffee machine with the possibility to adjust the coarseness of grind.



Hot water:

Coffee machine can make hot water for tea or other hot drinks



Steam function:

device for milk whisking in a delicate form.



Adjustable temperature:

Adjustable temperature



Rinsing:

There is an automatic rinsing with hot water when the coffee machine is switched on.



Descaling function:

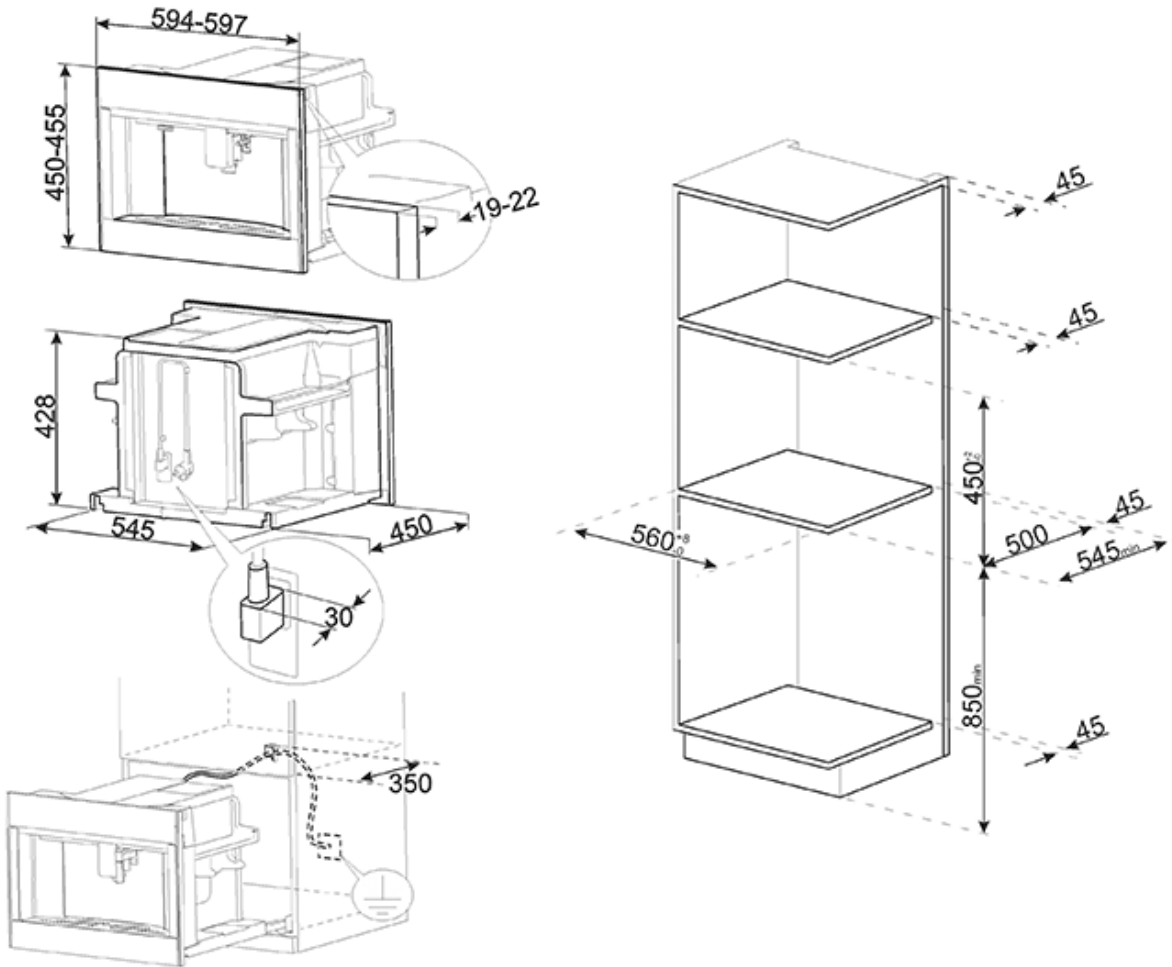
is essential to remove excess deposits of limestone in the tank and allow the proper operation of the steam oven. The need to perform this operation is signaled by the oven itself.



CMSU4303X

classic

24"
antifingerprint st/steel



SMEG U.S.A. INC.
A&D BUILDING
150 EAST 58th STREET, 7th FLOOR
NEW YORK, NY, 10155
Tel. +1 212 265 5378
Fax +1 212 265 5945