

EBC 300

LINE CLEANING MACHINE

RULES FOR SAFE OPERATION

Safety precautions are essential when any electrical or mechanical equipment is involved. These precautions are necessary when using, storing, and servicing electromechanical equipment. Using this equipment with the respect and caution demanded will considerably lessen the possibilities of personal injury. If safety precautions are overlooked or ignored, personal injury property damage may occur.

This unit was designed for specific applications. It should not be modified and/or used for any application other than those for which it was designed. If there are any questions regarding its application or technical assistance call 1-866-327-4159.

- 1) Read this Manual carefully - **know your equipment**. Consider the applications, limitations and the potential hazards specific to your unit.
- 2) Only use a three wire extension cord, with a grounded prong. Use a portable Plug-In GFCI device, a 3-prong power cord equipped with a GFCI device; or a GFCI equipped outlet to protect from ground fault shock.
- 3) Do not touch plug or outlet with wet hands.
- 4) Avoid accidental starts. Turn switch "off" before connecting or disconnecting cord at electrical outlets.
- 5) Water spray must never be directed towards any electric wiring or directly towards the machine itself or fatal electric shock may occur.
- 6) Never carry unit by the cord or hoses. Do not pull on cord to disconnect from outlet.
- 7) To prevent damage, the cord should not be crushed, placed next to sharp objects or near heat.
- 8) Check power cords before using. Damaged cords can reduce performance or cause a fatal electric shock.
- 9) Never allow children to operate this equipment.

- 10) Wear safety glasses and/or goggles while operating.
- 11) Disconnect power plug from the outlet when not in use and prior to the detaching of the cleaning hose.
- 12) Prior to starting in cold weather, be sure ice has not formed in any part of the equipment.
- 13) To allow free air circulation, the unit should NOT be covered during operation.

OPERATING PROCEDURE

- 1) Place siphon tube in pail of water or premixed cleaner.

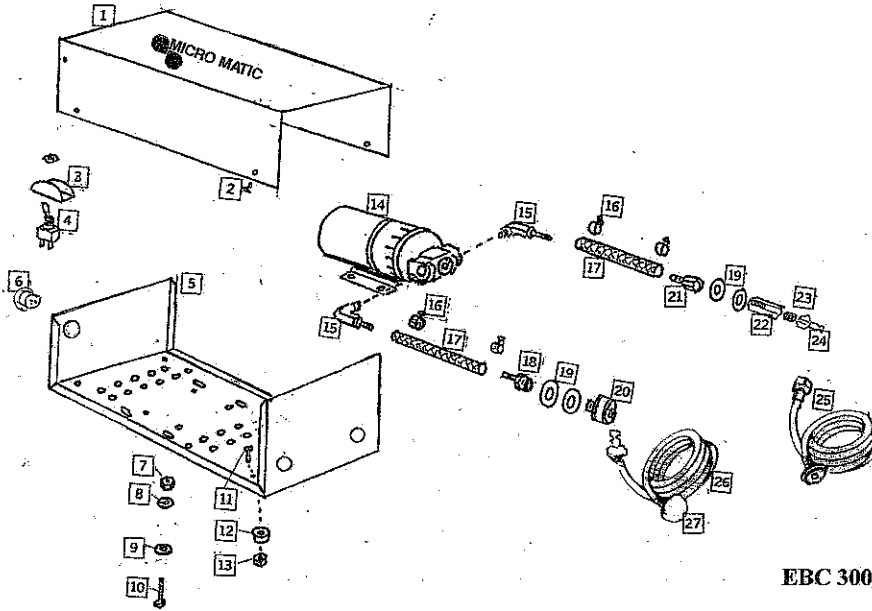
CAUTION; Make certain the end strainer is in place, clean, and the tube is not clogged or kinked. Failure to do so could allow dirt, grit, sand etc to be sucked into the unit. This could block valves and cause the unit to malfunction. If filters are not in place, the warranty is void. Water temperature above 140°F should be avoided.

- 2) Connect the threaded adapter on the discharge line to the draft system in your normal manner.
- 3) Make certain the red handle flow valve on the front of the machine is in the open position, (parallel to the hose). If this valve is closed the pump will not prime.
- 4) The pump has an internal control that causes the pump to automatically bypass (recirculate the liquid) if restrictions in the system cause pressure to rise above 60 psi. Use the red handled ball valve to further control discharge flow. The more you close the valve, the less liquid will flow into the lines; and, the lower the pressure in the system.

PROTESTING YOUR MACHINE AGAINST DAMAGE

- 1) **DON'T** run your unit without inlet water for extended periods of time. This may damage the pump and **Voids the Warranty.**
- 2) **DON'T** let particulate matter get into the pump. Foreign material can ruin the pump immediately. **This Voids the Warranty.** To keep particles out, never operate your unit without the filter properly installed on the suction tube, and clean.
- 3) Always store your machine in a location where the temperature will not fall below 32°F. The pump in this machine is susceptible to damage if frozen.

FREEZE DAMAGE IS NOT COVERED BY WARRANTY! It is recommended that you run the pump without inlet water for a maximum of 30 seconds after use. This will clear the pump of most liquid and reduce the risk of freezing.



EBC 300

LINE CLEANING MACHINE

<u>ITEM</u>	<u>PART NO.</u>	<u>DESCRIPTION</u>
1	30302	Cover w/handle
2	20105	Cover Screw
3	20217	Switch Guard
4	20120	Switch
5	30301	Base
6	22540	Recessed Receptacle
7	20109	Nut
8	15012-8	Flat Washer
9	40012-2	Lock Washer
10	50005	Bolt
11	20105-2	Bolt
12	50008	Foot
13	20109	Nut
14	30014	Pump/Motor
15	50078	Barb Elbow
16	50031	Hose Clamp
17	35042-3	Hose
18	30042	Barb Fitting
19	30065	Brass Washer
20	5020-1	Coupler
21	20232-1	Barb Fitting
22	30331-1	Ball Valve
23	40032	Close Nipple
24	5020-2	Coupler Plug
25	35042-2	Discharge Hose Assembly
26	35042-1	Suction Hose Assembly
27	20235	End Filter