

GLASS DOOR MERCHANDISER REFRIGERATORS

Single Swing Door

EM – Series • EMGR5 • EMGR8 • EMGR10 • EMGR20 • EMGR24(B)



▲ EMGR5



▲ EMGR8



▲ EMGR10



▲ EMGR20



▲ EMGR24



▲ EMGR24B

Cabinet Construction

Heavy duty white or black coated steel for cabinet interior and exterior. High quality stainless steel interior floor with round edges for convenient cleaning. ABS evaporator drain cover. 2.5" thick high density foamed-in-place polyurethane insulation. Adjustable screw legs for leveling.

Refrigeration System

- Back mounted condensing unit (EMGR5)
- Bottom mounted condensing unit (EMGR8 / EMGR10 / EMGR20 / EMGR24 / EMGR24B)
- Removable bottom grill and slide-out condensing unit for easy repair and maintenance
- Oversized condenser and evaporator coils quickly achieve and maintain desired temperature
- Forced-air cooling with oversized evaporator fan motors provide balanced airflow throughout cabinet to ensure faster temperature drop
- Environmentally friendly CFC free R-134A refrigerant
- Air defrost controlled by thermostat
- Copper tube and aluminum fin evaporator with anti-corrosive coating
- Energy efficient condensate drain pan with wicking pads for self sufficient condensation removal
- Pre-wired and ready to plug, 115V/60Hz/1Ph, NEMA 5-15P

Lighting

- Shielded vertical LED interior lighting with on/off switch for energy efficiency, minimal heat generation and enhanced illumination

Doors

- Black PVC door frames
- Low emissivity double pane glass system reflects UV rays and improves insulation for maximized energy efficiency
- Heavy duty adjustable torsion spring self-closing door system
- One piece snap-in magnetic door gasket for easy replacement
- Heavy duty die-cast door handle
- Field reversible door (EMGR20 / EMGR24 / EMGR24B)
- Models available in left hinge upon request (EMGR5, EMGR8, EMGR10)

Shelving

- Epoxy coated wire shelves (*see next page for shelf quantity*)
- Stainless steel pilasters and shelf clips

Temperature Control

- Factory preset temperature, 35°F
- Temperature setting range from 32°F to 42°F
- Easy to set thermostat dial

Option

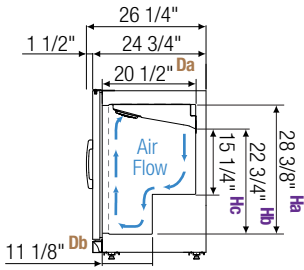
- 2 1/2" and 4" diameter casters (3 1/2" and 5" overall height) (except model EMGR5)



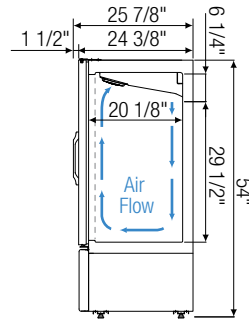
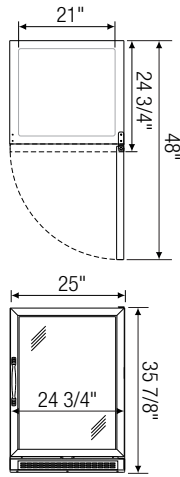
Dimensions



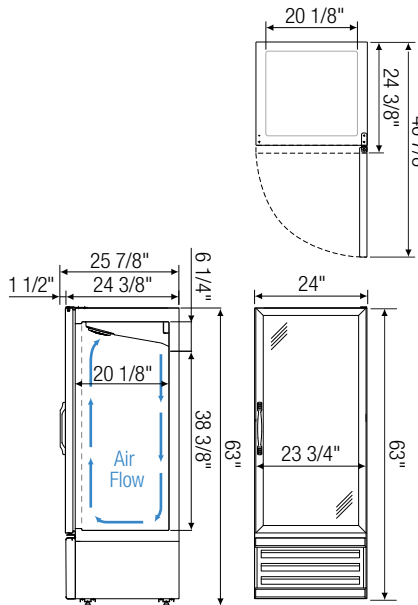
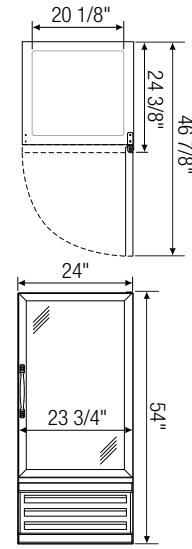
Equipped with 9 ft long NEMA 5-15P plug.



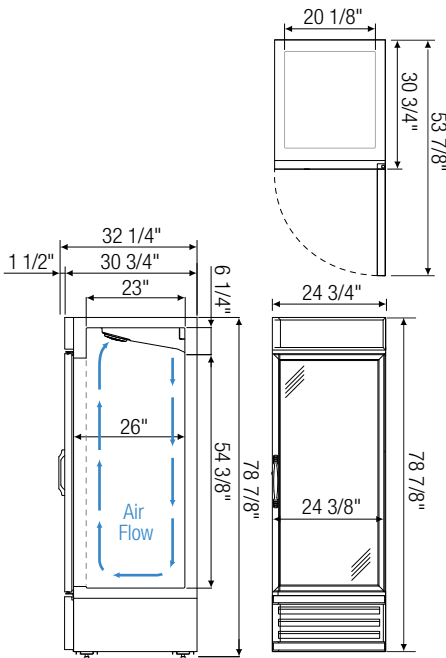
▲ EMGR5



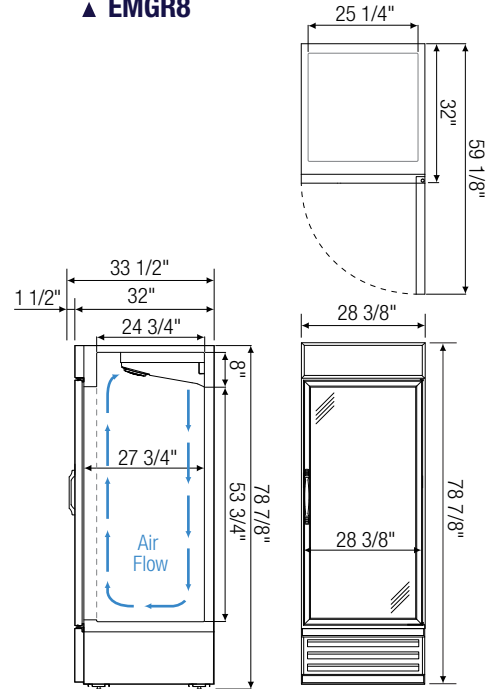
▲ EMGR8



▲ EMGR10



▲ EMGR20



▲ EMGR24(B)

Model	Ref/ Frz/ Dual	# of Doors	Capacity (Cu.Ft.)	HP	Capacity 20 oz. Bottles	Refrigerant	# of Shelves	Power (V-Hz-Ph)	Amps	Crated Weight (LBS)	Exterior Dimensions (Inches)		
											L	D*	H
EMGR5	Ref	1 (swing)	7.07	1/5	60	R-134A	2	115-60-1	4.60	186	25	24 3/4	35 7/8
EMGR8	Ref	1 (swing)	8.38	1/4+	90	R-134A	2	115-60-1	3.45	199	24	24 3/8	54
EMGR10	Ref	1 (swing)	10.46	1/4+	120	R-134A	3	115-60-1	3.45	230	24	24 3/8	63
EMGR20	Ref	1 (swing)	20	1/3	150	R-134A	4	115-60-1	5.50	304	24 3/4	30 3/4	78 7/8
EMGR24(B)	Ref	1 (swing)	25.04	1/3	165	R-134A	4	115-60-1	5.50	327	28 3/8	32	78 7/8

* : Exterior depth dimension does not include 1 1/2" for door handles.

Da, Db : Interior Depth Ha, Hb, Hc : Interior Height

Specifications subject to change without notice.

Product dimensions are for general purposes and not absolute value. Product capacity(▶) is calculated based on standard industry figures. Slight variations may exist. If dimensions and capacity are critical, please contact Everest Refrigeration.

Ref = Refrigerator



Please visit our website for updated Energy Efficiency information.