


Glycol Chiller G-30

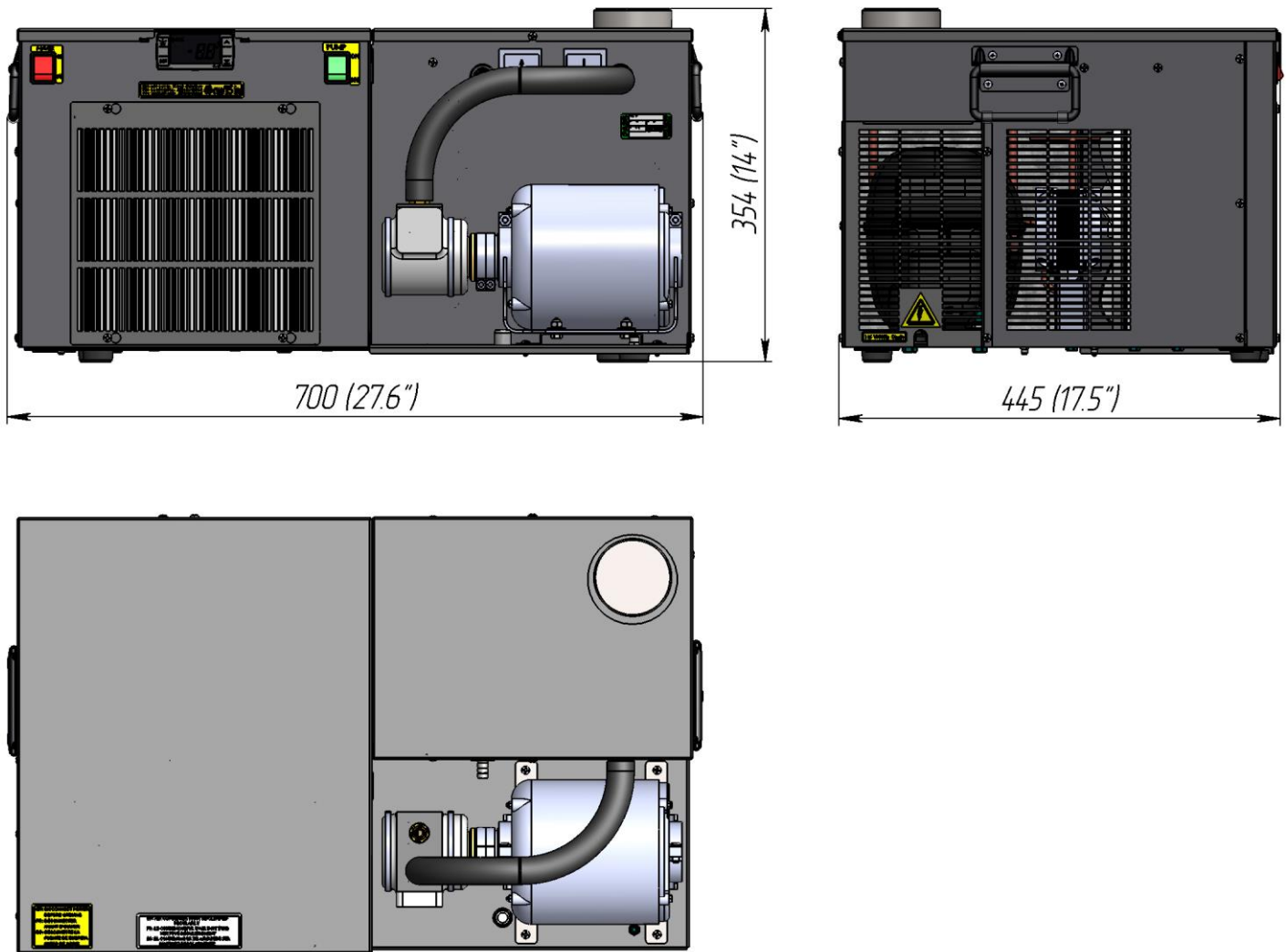
Specifications



Internal number	113.00.000.00-XX
Part number	G30 R290
Maximum distance, ft	up to 125
Capacity, BTU/h, evap 20 °F	2600
Glycol tank capacity, gal	2.9
Evaporator	L=14380 mm.; 10,0x0,75 mm., Cu
Compressor power, hp	1/3
Dedicated circuit, amp	20
Plug type (NEMA #)	5-20P 
Voltage, V / frequency, Hz	115 / 60
Pump type	Vane with 1/3 hp motor
Pump, GPH	50 or 80
Number of pre-installed pumps	1
Number of additional pumps	n/a
Refrigerant	R290
Width, in	27.6
Depth, in	17.5
Height, in	14 / 19.4 (on optional legs)
Weight gross/net, lbs	107 / 99
Power cord length, ft	6
Inlet/Outlet barb, in	3/8
Operating ambient temperature, °F	60-90
Clearance at least	12" around the entire unit
Glycol mixture, vol%	40 % glycol and 60% water

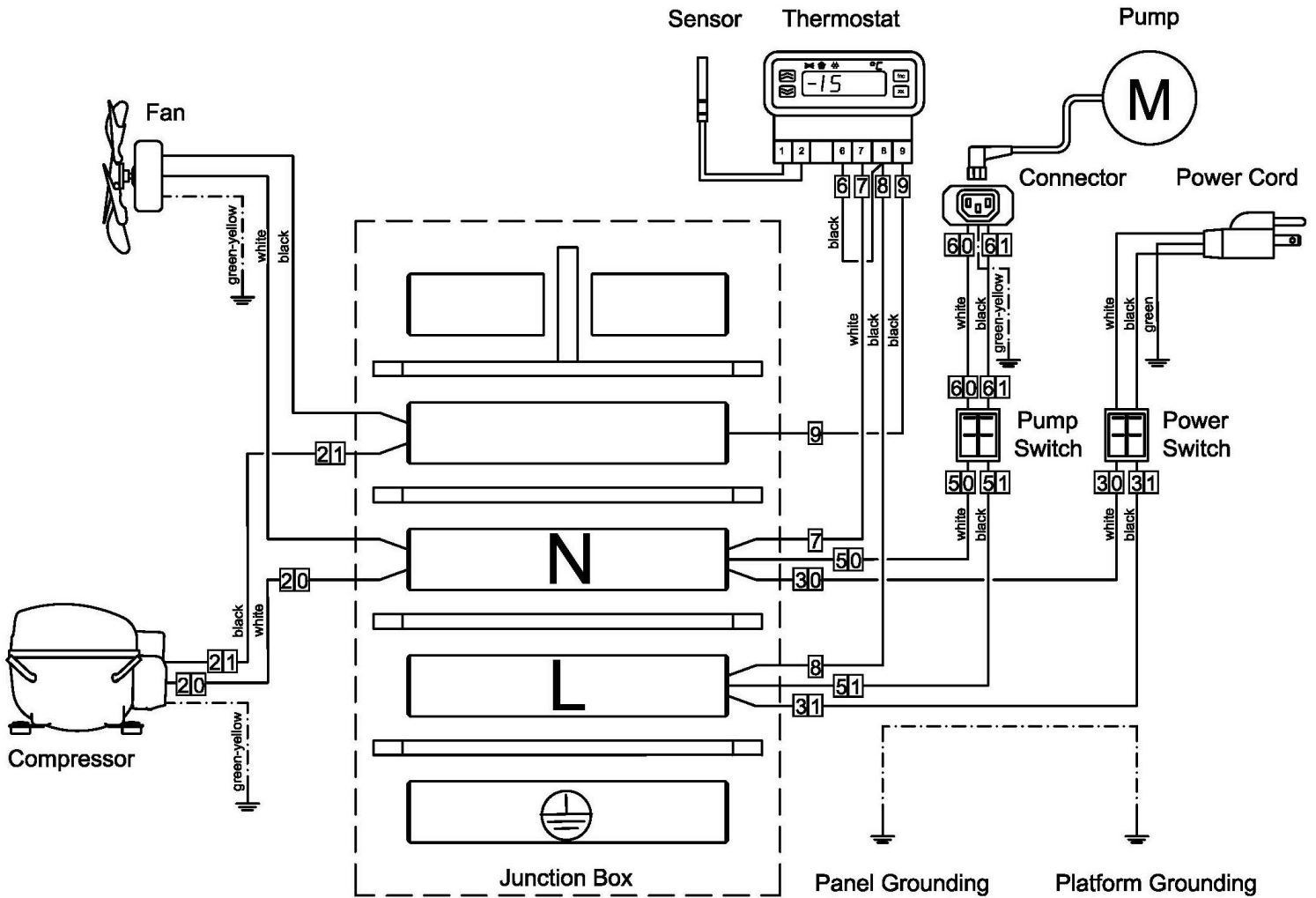
Glycol Chiller G-30

Overall dimensions



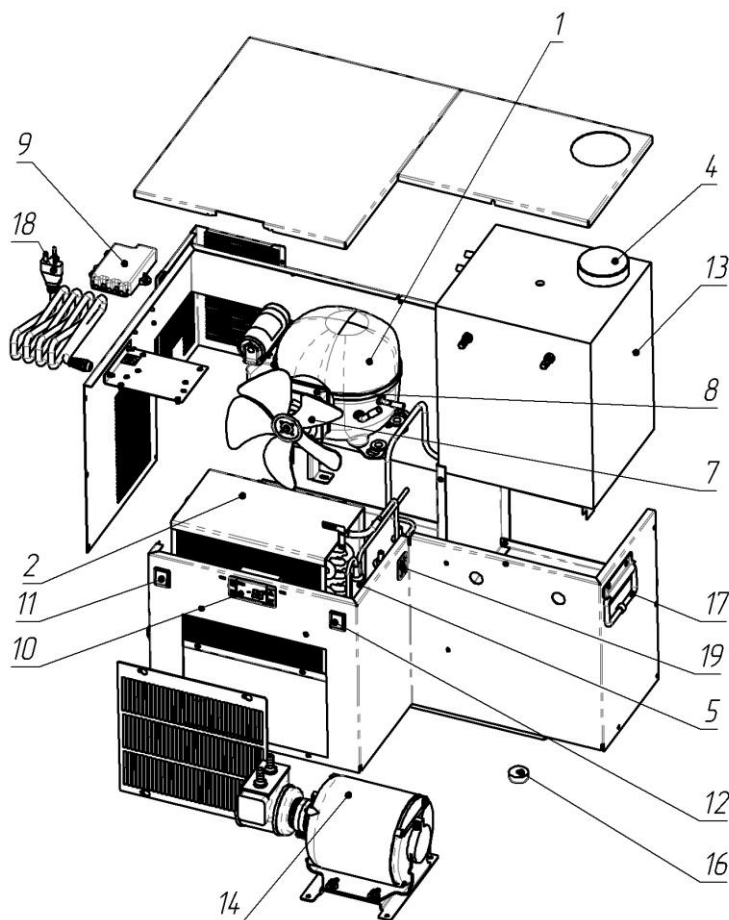
Glycol Chiller G-30

Wiring diagram



Glycol Chiller G-30

Parts



1	Compressor "EMBRACO" NEU 6181 U or "SECOP" NLE8.0CN 115-127 V/60Hz or CUBIGEL NLY75RRa (115-127V 60Hz)
2	Air condenser "KARYER" B-18143 UL
3	Evaporator (inside glycol bath)
4	Cap
5	Filter-drier "DE-NA" GR-15 d6.1xd6.1xd2.5
7	Impeller Ø200 mm., $\alpha=28^\circ$
8	Electric motor "ELCO" NU 9-20-2/094 (115V/50-60Hz) UL "WGMotors" YZF10-20-26 (10W)(110-120V/60Hz) or "EBM" M4Q045-CA-27-04 (115V/60Hz)
9	Terminal block "ITW ELETTRGIBI " PA104
10	Thermostat "DIXELL" XR02CX-4N0F1 (115 V/ 60Hz)
11	Power switch "ARCOLECTRIC" C6053ALBR (Red)
12	Power switch "ARCOLECTRIC" C6053ALBG (Green)
13	Glycol bath
14	Glycol pump «FLUID-O-TECH» PA 1501 2501 or "PROCON" 102A080F11BA250, and motor "MARATHON" 5KH32FN5586MX (115V/60Hz) or "UBC" YU250-4G01 (100-120V/200-240V-50/60hz)
15	Capillary tube 2.4x0.575x2000 mm
16	Foot
17	Handle
18	Power cord
19	Connector R302SN 250V 10A