

24" SIGNATURE SERIES REFRIGERATOR

HP24RS-3 | 24" INDOOR MODEL
HP24RO-3 | 24" OUTDOOR MODEL

Perlick[®]
QUALITY & INNOVATION
THAT **INSPIRES**



Solid Door Model



Glass Door Model



Drawer Model



GENERAL SIGNATURE SERIES FEATURES

- Zero-clearance hinging allows for abutment with surrounding cabinetry
- Perlick's exclusive commercial-grade, 1,000 Btu variable-speed compressor
- Front-vented, RAPIDcool forced-air refrigeration system
- Commercial-grade stainless steel interior and exterior
- **Industry Exclusive** convertible door design allows all doors the ability to be converted to wood overlay from stainless steel
- **Industry Exclusive** adjustable, full-extension pull-out shelves (drawer models excluded)
- Stainless-steel ball-bearing glides provide smooth movement of shelves
- Low E, UV-coated glass provides industry leading insulation and protection.
- Adjustable Crisp White and Cool Blue LED lighting
- State-of-the-art digital control module
- Optional door locks and Industry-Exclusive drawer locks (factory installed)
- Stacking kit available
- Indoor and outdoor models available
- Also available - 24" Freezer, Beverage Center, Wine Reserve, Beer Dispenser, and Dual-Zone Wine Reserve
- 5.2 cubic feet of capacity
- Industry Best Three Year Warranty plus additional three years on sealed system

HP24RS-3/RO-3 FEATURES

- Available with solid stainless steel door, solid wood overlay door, stainless steel glass door, wood overlay glass door, stainless steel drawers or wood overlay drawers
- Door models include two (2) full-extension pull-out shelves
- Refrigerator rated for both food and beverage storage
- Refrigerator temperature 33°- 42°F

Form No.HP24R-3
Rev. 10.14.2014

PRODUCT SPECIFICATIONS

Overall Width	23-7/8" (60.64 cm.)
Overall Height	34-1/4" (86.96 cm.)
Overall Depth	24" (60.96 cm.)
Opening Width	24" (60.96 cm.)
Opening Height	34-3/8" (87.31 cm.)
Opening Depth	24" (60.96 cm.)
Refrigerated Volume	5.2 cu. ft.
Door Swing Clearance	25" (63.5 cm.) minimum
Electrical	115V, 60Hz, 1 Phase, 2.3 amps
Plumbing	None Required
Annual Energy Usage	275 kWh/yr (solid door) 290 kWh/yr (glass door) 290 kWh/yr (drawers)
Shipping Weight	191 lbs (68.04 kg.)

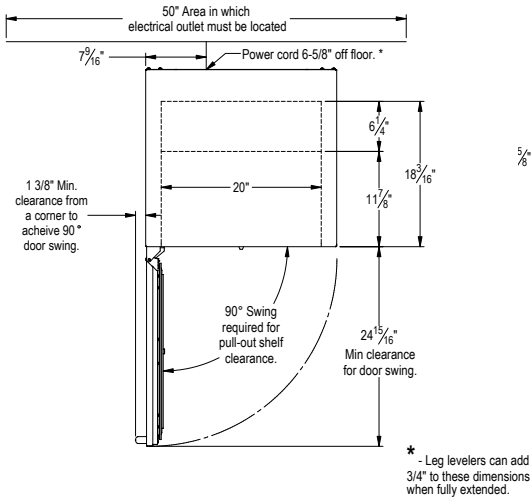
INDOOR MODELS

HP24RS-3-1L*	Solid stainless steel door, hinge left
HP24RS-3-2L*	Solid wood overlay door, hinge left
HP24RS-3-3L*	Stainless steel glass door, hinge left
HP24RS-3-4L*	Wood overlay glass door, hinge left
HP24RS-3-5	Stainless steel drawers
HP24RS-3-6	Wood overlay drawers

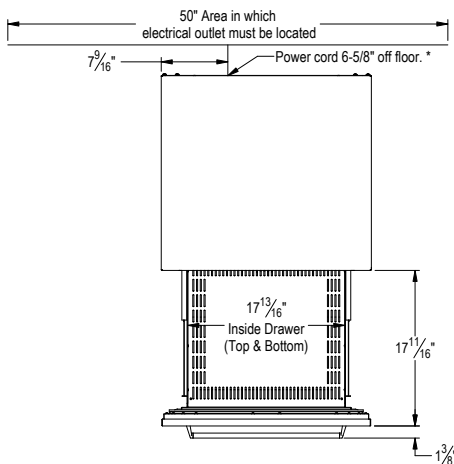
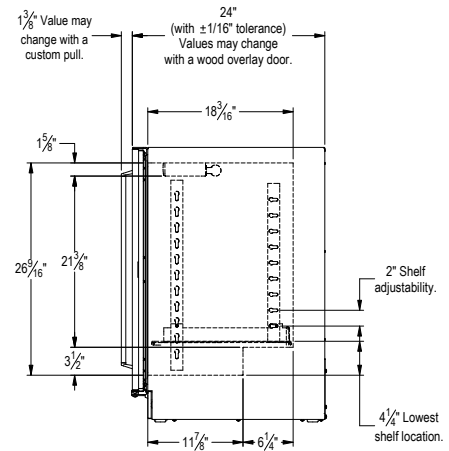
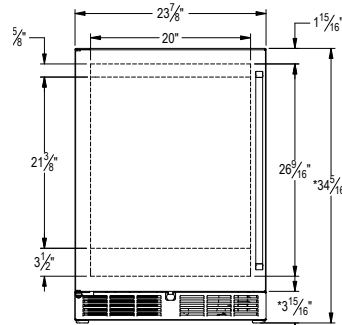
OUTDOOR MODELS

HP24RO-3-1L*	Solid stainless steel door, hinge left
HP24RO-3-2L*	Solid wood overlay door, hinge left
HP24RO-3-3L*	Stainless steel glass door, hinge left
HP24RO-3-4L*	Wood overlay glass door, hinge left
HP24RO-3-5	Stainless steel drawers
HP24RO-3-6	Wood overlay drawers

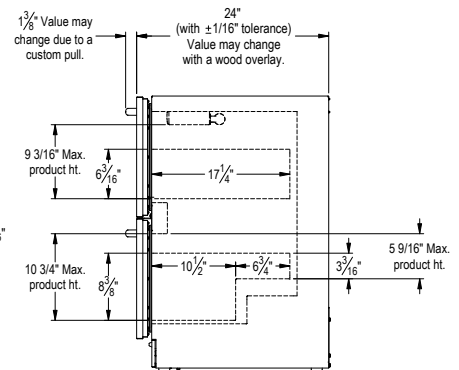
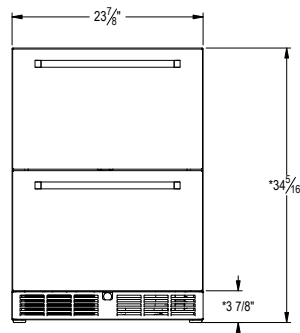
* Also available hinge right



Door Models



Drawer Models



Form No.HP24R-3
Rev. 10.14.2014