



24" Signature Series Wine Reserve

Model Nos. HP24WS-1L HP24WS-2L HP24WS-3L HP24WS-4L
 HP24WO-1L HP24WO-2L HP24WO-3L HP24WO-4L

** Also available with right hinge*

Job _____
Area _____
Item No. _____
Model No. _____



HP24WS-1R



HP24WS-3L



Features

- Designed with fully-integrated depth to allow flush fit with surrounding cabinetry (with 3/4" wood overlay)
- Zero-clearance hinging allows for abutment with surrounding cabinetry
- Perlick's exclusive Variable Speed Compressor
- Front-vented, forced-air refrigeration
- **Industry Exclusive** full-extension shelves
- **Industry Exclusive** stainless steel interior
- Two (2) year full warranty on complete unit - Additional four (4) year limited warranty on the sealed refrigeration system
- **Industry Exclusive** Convertible Door Design allows all doors to be converted to wood overlay from stainless steel
- Low E, UV coated glass provides industry leading insulation and protection
- Door locks available
- Interior digital display
- Five (5) shelves will store 40 wine bottles
- Extra storage under shelves for up to five additional bottles
- Stainless steel ball bearing glides provide smooth movement of shelves
- Shelves are removable and adjustable to accommodate oversize (magnum) bottles
- Cabinet construction eliminates vibration transfer to reserve
- Available with solid stainless steel door, glass door, solid wood overlay door or glass door with wood overlay trim
- Each wine shelf is finished with a contemporary stainless steel front
- 5.3 cubic feet of capacity
- Wine Reserve temperature 40° - 65° F
- Indoor/outdoor rated models

Luxury YOU DESIRE
INNOVATION YOU CAN'T LIVE WITHOUT

Form No.080210
Rev. 07.05.2011



8300 W. Good Hope Rd. • Milwaukee, WI 53223
1-800-558-5592 • Fax: (414) 353-7069 • perlick.com

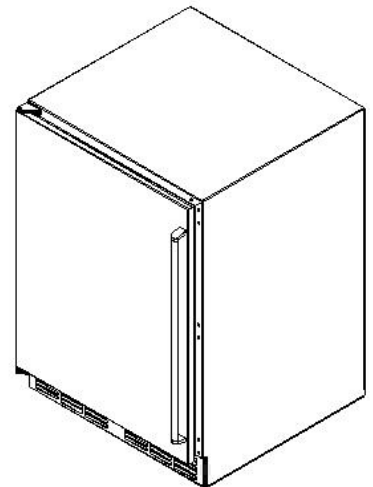
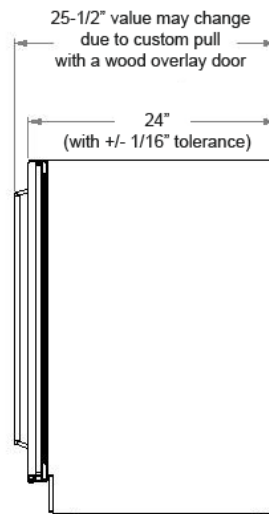
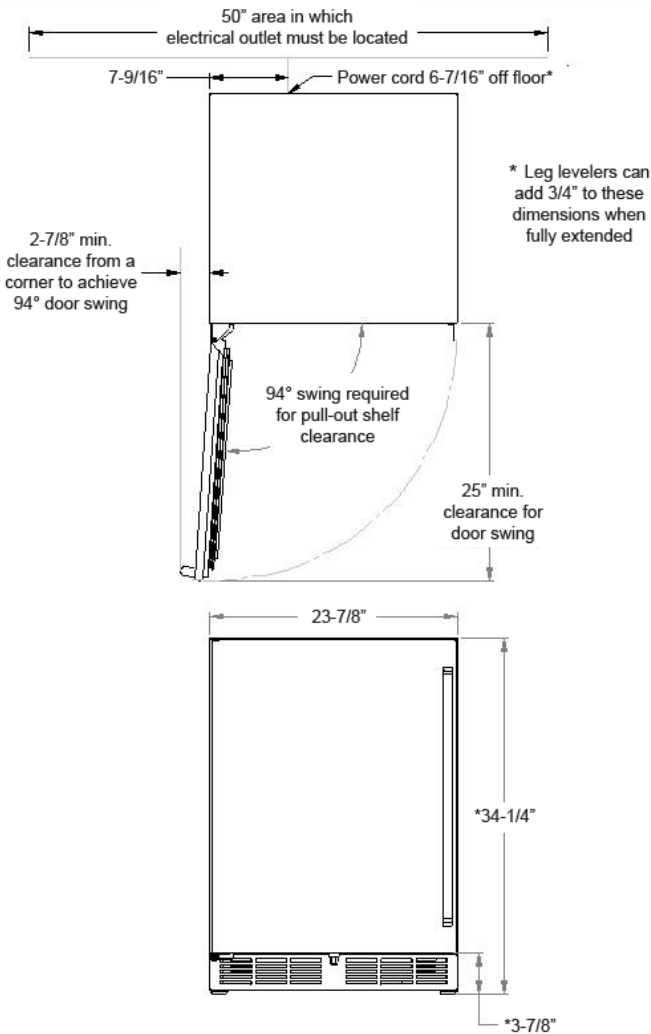
Perlick is committed to continuous improvement. Therefore, we reserve the right to change specifications without warning.

24" Signature Series Wine Reserve

Indoor Models	Outdoor Models	Wine Reserve
HP24WS-1L	HP24WO-1L	24" Wine Reserve with solid stainless door
HP24WS-2L	HP24WO-2L	24" Wine Reserve with solid wood overlay door
HP24WS-3L	HP24WO-3L	24" Wine Reserve with stainless glass door
HP24WS-4L	HP24WO-4L	24" Wine Reserve with wood overlay glass door

* Also available with right hinge

Overall Width	23-7/8", 60.643 cm
Overall Height	34-1/4", 86.995 cm
Overall Depth	24", 60.96 cm
Capacity	5.3 cubic ft.
Min. Height Req.	34-3/8"
Door Swing Clearance	24-13/16"
Annual Energy Usage	308 kWh/yr
Electrical:	115V, 60 Hz, 1 phase AC, 2.3 amps
Plumbing:	none required
Shipping Weight:	215 lbs.



Form No.080210
Rev. 07.05.2011



8300 W. Good Hope Rd. • Milwaukee, WI 53223
1-800-558-5592 • Fax: (414) 353-7069 • perlick.com

Perlick is committed to continuous improvement. Therefore, we reserve the right to change specifications without warning.