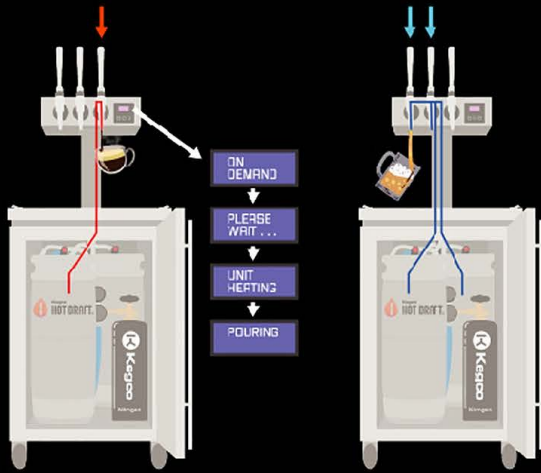


1 Hot, 2 COLD



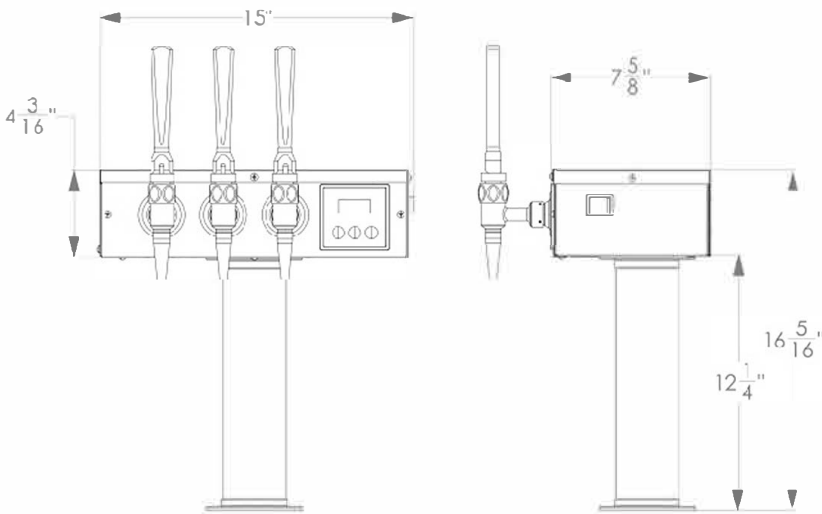
Kegco
HOT DRAFT®

TECHNICAL SPECIFICATIONS	
Dimensions (Tower)	16 5/16" (H) x 15" (W) x 7 5/8" (D)
Operating Temperature Range	140°F – 180°F
Wattage/Voltage/ Frequency/Amperage	4.8 kW/240 V/60 Hz/20A 4.4 kW/230 V/60 Hz/20A 3.6 kW/208 V/60 Hz/18A
Operating Pressure Range (Optimal Operating Pressure Range)	20 PSI – 40 PSI (25 PSI – 35 PSI)
Minimum Flow Rate	0.15 GPM
Minimum/Maximum Inlet Beverage Temperature	34°F/70°F

PRODUCT FEATURES	
On/Off Switch	Yes
Gas Used	Nitrogen
Electrical Plug	No
Taps Available	3
Display	LCD
Display Color	Blue
Buttons	Push
Appearance	Brushed Steel
Certifications	CSA C22.2 NO.109 NSF/ANSI STD.4 UL STD. 197

TECHNICAL SPECIFICATIONS	
Dimensions (Cabinet)	40" (H) x 23.5" (W) x 31" (D)
Weight	143 lbs.
Warranty	
Keg Storage Capacity	
Cooling System	
Controls	

*208-240v 40a Power Required



HOT DRAFT KIT INCLUDES



2 Nitro Faucets &
1 Standard Faucet



Beer & Gas Line
with Clamps



Low Profile
Splitter



Low Profile
Coupler



Nitrogen
Regulator



5 lb. Black Epoxy
Nitrogen Tank
(Empty)



8510 Miralani Dr.
San Diego, CA 92126

(888) 980 - 4810

support@kegco.com