



WINE COOLER INSTRUCTION MANUAL

MODEL

VCWR-24PRS-1R

VCWR-24PRD-2R

VCWR-107PRS-1R

VCWR-101PRD-2R

Thanks for buying our Wine Cooler, Hope our advanced product will give your wine a different joyful taste. Before use, please read and follow all safety rules and operating instructions.

WARNING!

The information in this document is subject to modification without any prior notice.

Some models are available in dedicated countries only.

We offers no guarantee for our wine cellar if it is being used for any purpose other than that for which it was specifically designed. We cannot be held responsible for any error in this manual. is not responsible or liable for any spoilage or damage to wines or any other contents incidental or consequential to possible defects of the wine cellar. Warranty applies to the wine cellar only and not to the content of the wine cellar.

This appliance is not intended for use by persons (including children) with reduced physical, sensory or mental capabilities, or lack of experience and knowledCge, unless they have been given supervision or instruction concerning use of the appliance by a person being responsible for their safety. Children shall not play with the appliance. Cleaning and user maintenance shall not be made by children without supervision.

Children should be supervised to ensure that they do not play with the appliance.

Please don't put such as acidic items, flammable and explosive goods into wine cooler.

This equipment is intended for the storage and display of non-potentially-hazardous bottled or canned products only.

This appliance is intended to be used in household and similar applications such as

- Staff kitchen areas in shops, offices and other working environments;
- Farm houses and by clients in hotels, motels and other residential type environments;
- Bed and breakfast type environments;


- Catering and similar non-retail applications.

DANGER: Risk of child entrapment. Before you throw away your old wine chiller:

- Take off the doors;
- Leave the shelves in place so that children may not easily climb inside;
- When disposing of the appliance, do so only at an authorized waste disposal centre.

R600a WARNINGS:

For your safety observe the following recommendations.

- This appliance contains a small quantity of R600a refrigerant which is environmentally friendly, but flammable. It does not damage the ozone layer, nor does it increase the greenhouse effect.
- During transportation and installation, ensure that the tubing of the refrigerant circuit is not damaged.
- Avoid using or manipulating sharp objects near by the appliances.
- Leaking refrigerant can ignite and may damage the eyes.
- In the event any damage does occur, avoid exposure to open fires and any device which creates a spark. Disconnect the appliance from the mains power.
- Thoroughly ventilate the room in which the appliance is located for several minutes.
- Notify Customer Service for necessary action and advice.
- The room for installing the appliance must be at least 1 cubic metre per 8 grams of refrigerant. The refrigerant quantity contained in this appliance is listed above in grams; it is also noted on the Rating Plate of the appliance.
- **WARNING:** To avoid a hazard due to instability of the appliance, it must be fixed in accordance with the instructions.
- The symbol  is a warning and indicates the refrigerant and insulation blowing gas are flammable.
- **Warning:** Risk of fire / flammable materials
- **WARNING** — Do not store explosive substances such as aerosol cans with a flammable propellant in this appliance.

- **WARNING** —When positioning the appliance, ensure the supply cord is not trapped or damaged.
- **WARNING** —Do not locate multiple portable socket-outlets or portable power supplies at the rear of the appliance.
- **WARNING** — The refrigerant and insulation blowing gas are flammable. When disposing of the appliance, do so only at an authorized waste disposal centre. Do not expose to flame.

It is hazardous for anyone other than an Authorised Service Person to carry out servicing or repairs to this appliance.

- **WARNING:** Keep clear of obstruction all ventilation openings in the appliance enclosure or in the structure for building-in.
- **WARNING:** Do not use mechanical devices or other means to accelerate the defrosting process, other than those recommended by the manufacturer.
- **WARNING:** Do not damage the refrigerant circuit.
- **WARNING:** Do not use electrical appliances inside the food storage compartments of the appliance, unless they are of the type recommended by the manufacturer.
- **WARNING:** If you do not use the machine for a long time, please unplug the power plug from the socket or switch off the power supply.
- **WARNING:**Children should be supervised to ensure that they do not play with the appliance;
- **WARNING:**Do not use extension cords or ungrounded (two prong) adapters;
- **WARNING:**If the supply cord is damaged, it must be replaced by the manufacturer,
- Its service agent or similar qualified person in order to avoid hazard.

Allow 24 hours before switching on the wine cellar. During this time we recommend that you leave the door open to clear any residual odors.

BEFORE LOADING & PLUGGING IN THE WINE CELLAR

Important: All models without front venting (air opening) are strictly for free standing only. (See technical chart)

Recommendations:

The location you have selected for your wine cellar should:

- be unencumbered and well ventilated;
- be well away from any heat source and direct sunlight;
- not be too damp (laundry, pantry, bathroom etc.);
- have a flat floor;
- have a standard and reliable electricity supply (standard socket to country standards, linked to the ground), it is NOT recommended to use a multi-socket or extension lead;
- have a surge protector fitted to the electrical outlet;
- Away from the microwave oven. Certain microwave ovens do not have wave interference shield. When placed within 1 meter vicinity of the wine cabinet, they may affect the operation of the wine cabinet.

Notes:

- VCWR-107PRS-1R, VCWR-101PRD-2R models are for built-in ONLY
- VCWR-24PRS-1R, VCWR-24PRD-2R models are Both built-in and free-standing type as per the drawings thereafter.

Wine cellar should be placed where the ambient temperature is proper (Please view the end of Manual). If the temperature is above or below this range, it will affect the performance of the cellar. Placing in cold or hot temperature conditions may cause cellar's temperatures fluctuating, and it will not reach the ideal one.

Grounding instructions:

The wine cellar must be grounded in case of wire leakage. Grounding reduces the risk of electrical shock. The wine cellar is equipped with a power cord having a grounding wire and plug. The wine cellar plug must be plugged into a properly affixed and grounded electrical outlet.

Note: In locations where there is frequent lightning, it is advisable to use surge protectors.

Improper use of the grounding plug can result in the risk of electric shock. Consult a qualified electrician or service person if the grounding instructions are not completely understood.

If the supply cord is damaged, it must be replaced by a qualified person in order to avoid electrical hazard.

INSTALLING YOUR WINE CELLAR

Unpack and remove all of the protection and adhesive strips from the packaging around and inside the wine cellar.

The wine cellar must be positioned such that the plug is accessible. Release the power cord. Move your wine cellar to its final location. The wine cellar should be installed in a suitable place where the compressor will not be subject to physical contact.

Leveling your wine cellar: Wine cellar must be leveled BEFORE loading your wines.

Your wine cellar is equipped with 4 adjustable feet to facilitate easy leveling. We recommends that you tighten the back feet to the maximum and adjust the front feet to level the wine cellar.

INSTALLATION INSTRUCTIONS FOR BUILT IN WINE CELLARS: (UNDERBENCH OR IN COLUMN) *FRONT VENTING WINE CELLARS ONLY.*

1. “Built in” wine cellars are front venting but are not designed to be fully integrated behind a joinery door.
2. Please follow the installation diagram when installing built-in wine cellars. No less than the minimum installation dimension, or it will affect the venting of cellar.
3. Built-in wine cellars draw air from right of ventilation frame and expel through left of ventilation frame under the front door.
4. “Built in” wine cellars have a power switch located on the control panel so power point location is not critical.
5. The wine cellar requires a standard 240 volt/10 amp power point. (Or according to different countries specifications).
6. The power cord is 2.0m in length and is fixed on the right side at the back when looking from front of cabinet.
7. As with most appliances of today, the wine cellar has sensitive electronic components which are susceptible to damage through lightning and electricity supply faults. It is therefore advised to use a power surge protector to avoid problems of this nature.
8. Air vent on door must be provided for built-in wine cellars when a wood door installed.

In Hot climate zone, an air vent or grid, with a minimum ventilation size of 200mm x 40mm **MUST** be cut out at the rear top of the back partitioning or at the top of either side of the partitioning, allowing cool fresh air full access to flow into the 30mm gap located at the rear of the cabinet.

This air vent or grid must not be opened on the same side as other appliances such as ovens or an area that is sealed and without access to fresh cool air. Failing to comply with the above specifications could result in WARRANTY void.

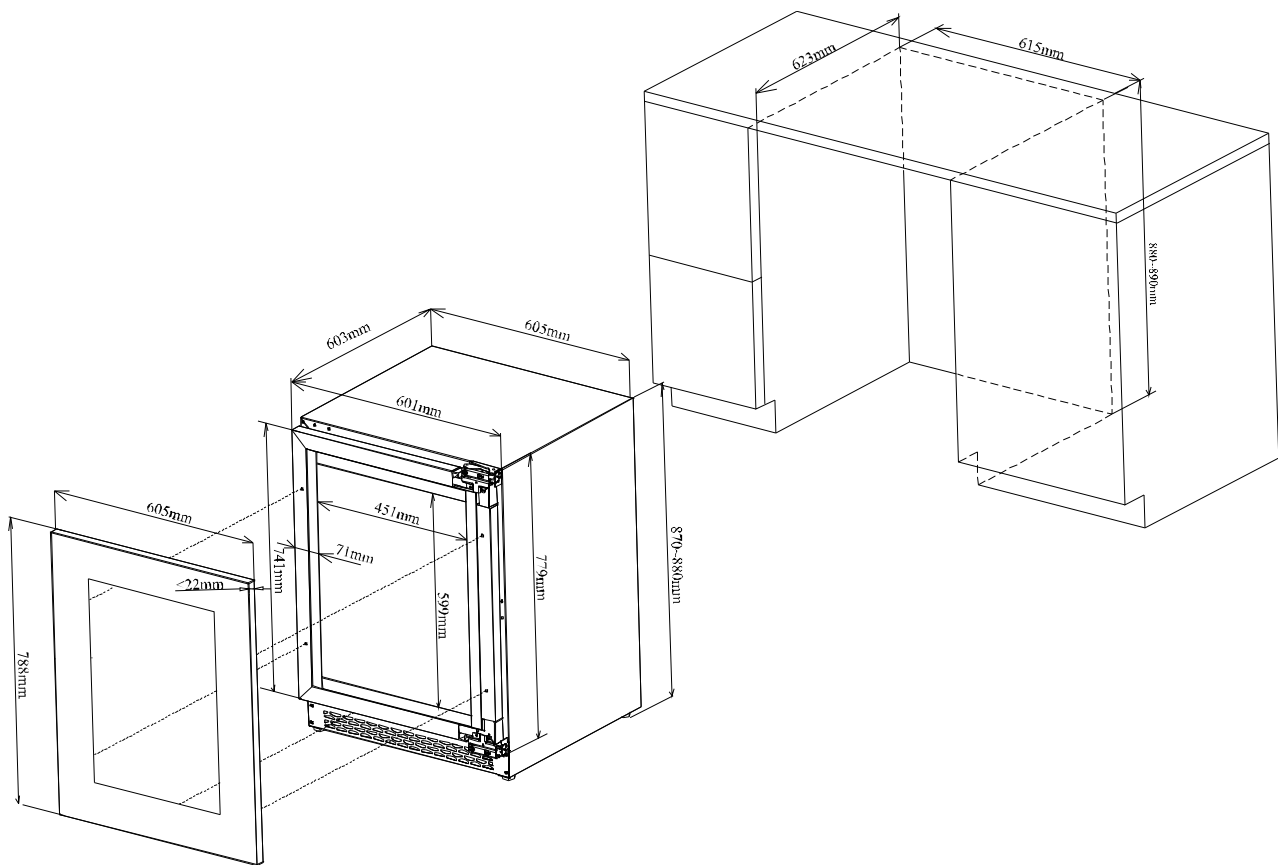
INSTALLATION DRAWINGS FOR BUILT IN WINE CELLARS:

Note: The appliance must be positioned so that the plug is accessible after installed.

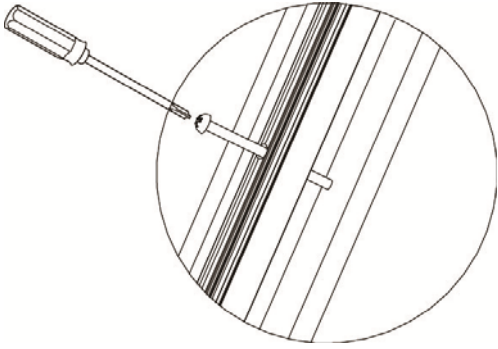
DIMENSIONAL DRAWINGS:

It is built-in model inside cabinet, the cabinet should come with good ventilation space and no backplane, otherwise it will affect the wine cooler working normally. (Installation drawing as below)

VCWR-24PRS-1R/ VCWR-24PRD-2R models

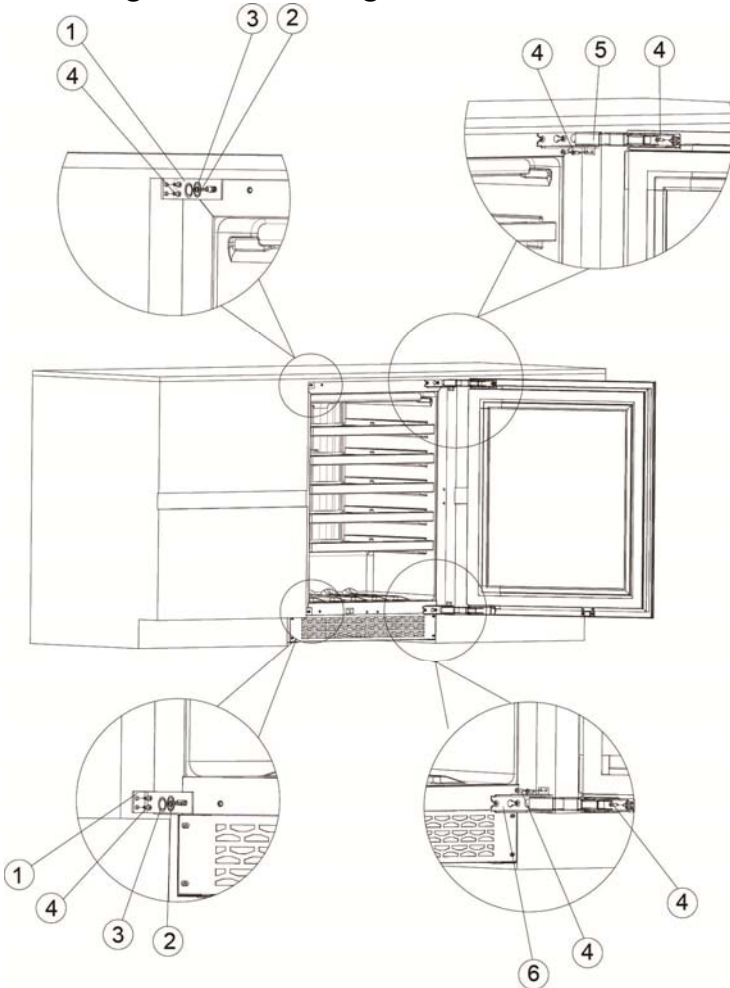


After adjusting the door panel, take out 4pcs 5*35 self-tapping screws from the accessory bag, open the door seal, drill the screws through the screw holes in door frames, and tighten the door panels.

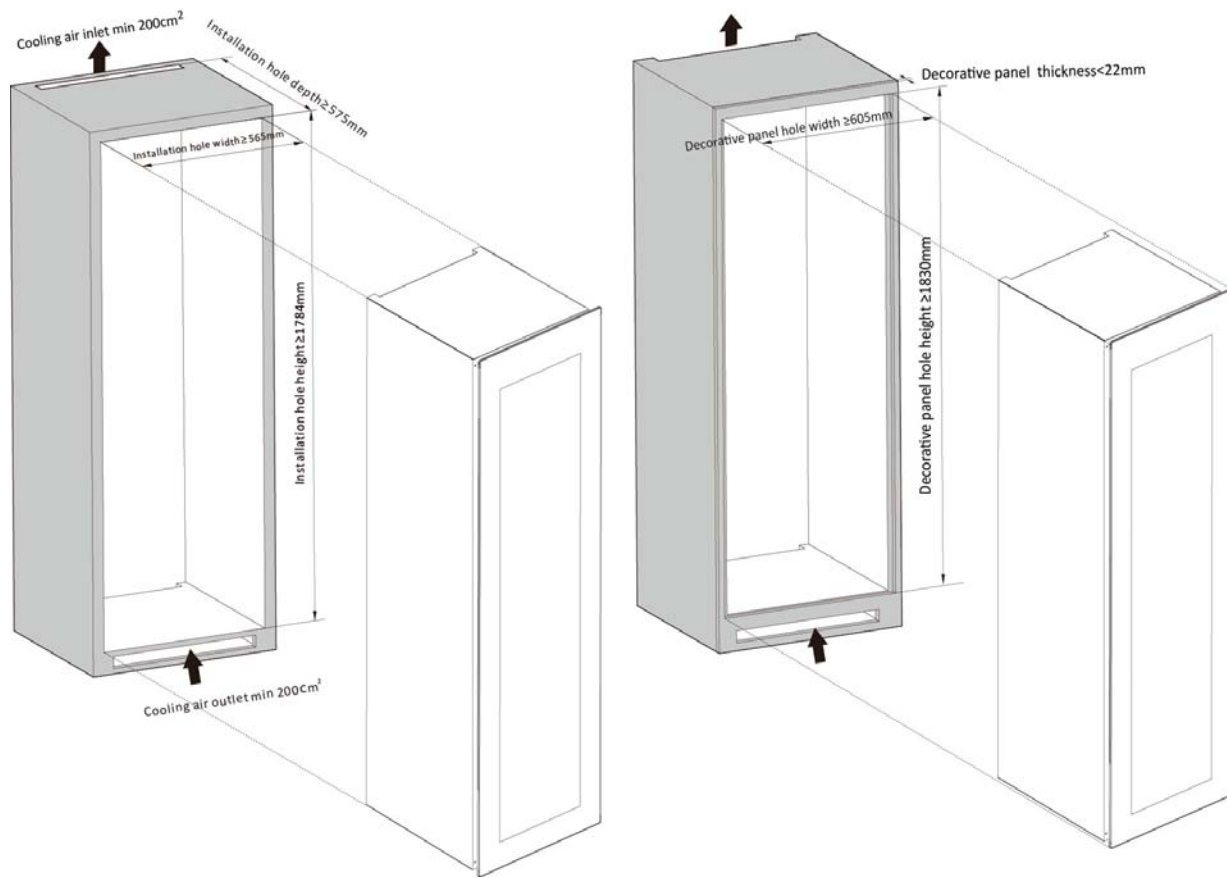


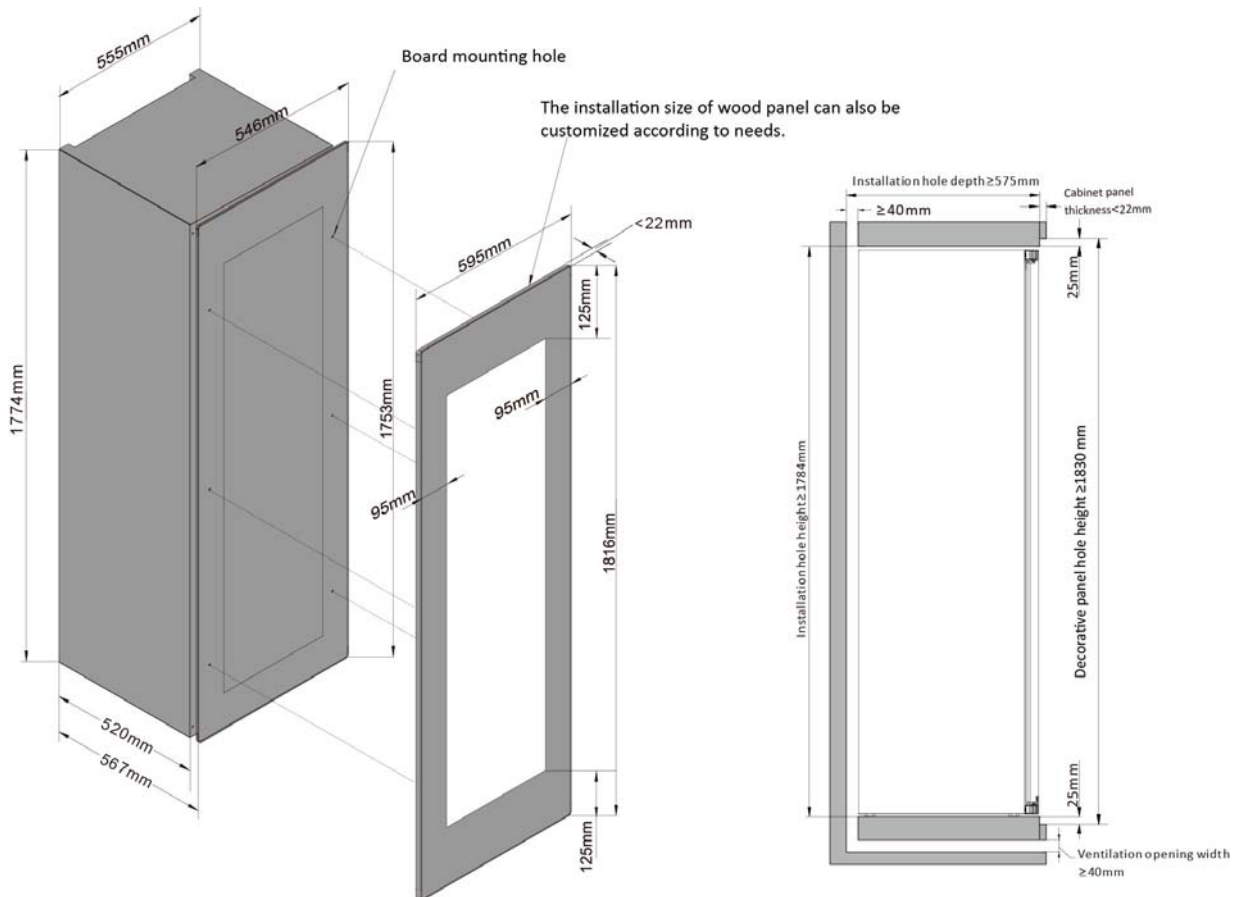
1. Level the wine cooler, take 2 fixing brackets ① 2 x 5*12 flat head screws ② and 2 screw covers ③ from the polybag. Remove 4 trunk-nails on the left side frame of cabinet, fix the brackets ① on the left side of canbinet with a philips screwdriver.

2. Take 4 X 4*12 self-tapping screws ④ from the polybag, fix the bracket ① on left side of kitchen cabinet with a philips screwdriver. And take another 4 X 4*12 self-tapping screws ④, fix the right side door hinges ⑤ ⑥ to the kitchen cabinet with these screws.



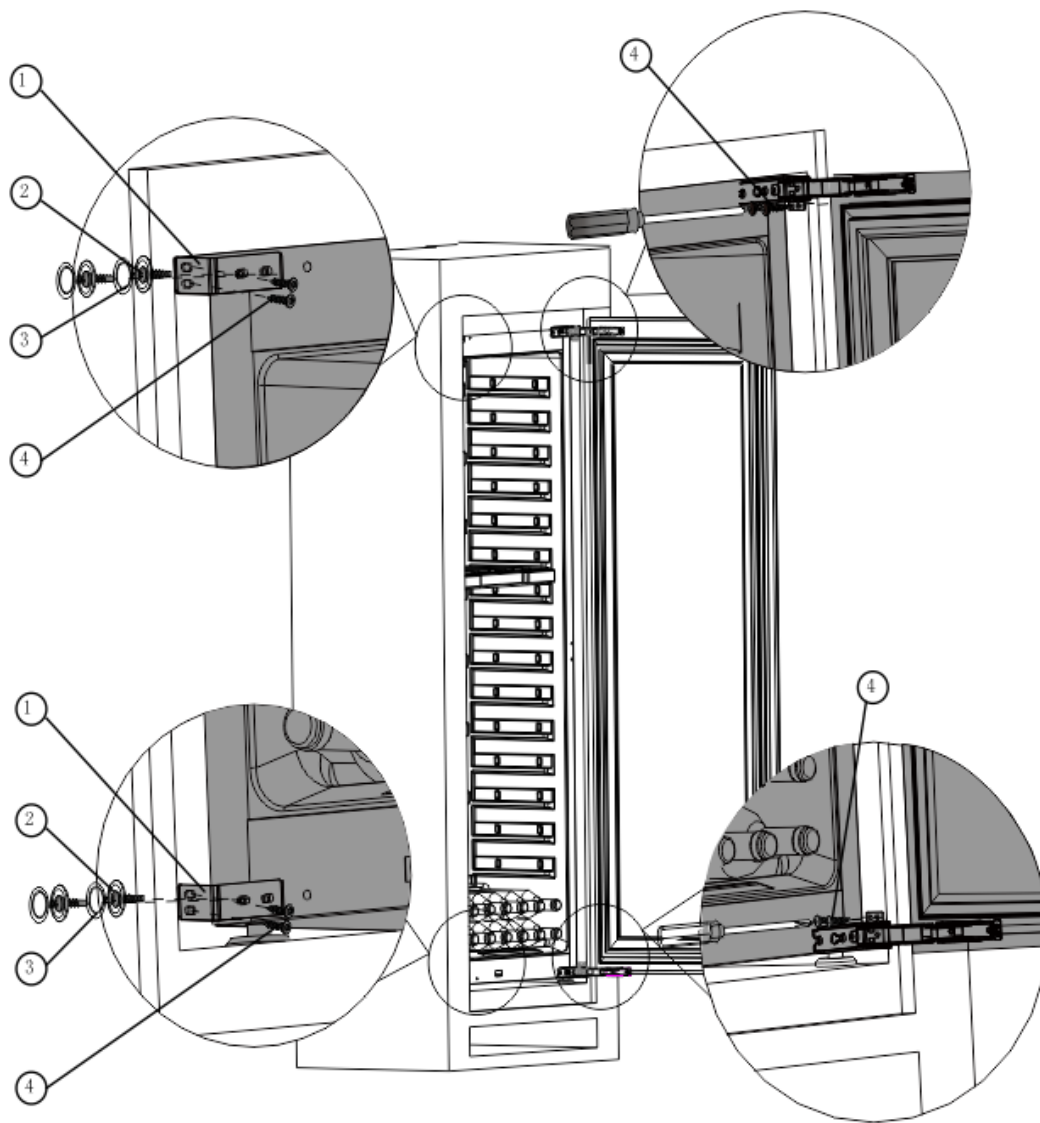
VCWR-107PRS-1R/VCWR-101PRD-2R models





Fixing bracket installation

1. Level the wine cooler, take 2 fixing brackets ① 2 x 5*16 flat head screws ② and 4 screw covers ③ from the polybag. Remove 4 trunk-nails on the left side frame, fix the brackets ① on the left side of with a philips screwdriver.
2. Take 4 X 4*12 self-tapping screws ④ from the polybag, fix the bracket ① on left side of kitchen cabinet with a philips screwdriver. And take another 4 X 4*12 self-tapping screws ④, fix the right side door hinges to the kitchen cabinet with these screws.



Installation method of door plank

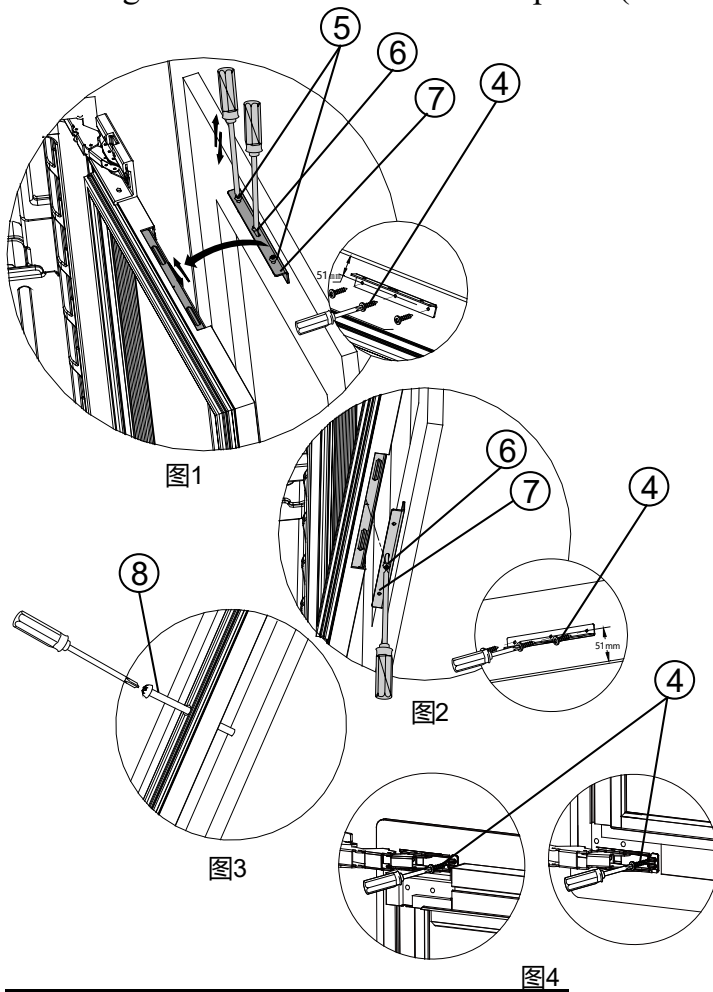
The wine cabinet door has the function of fine-tuning wood board:

1. Take out the bracket ⑦, two 5 * 35 large flat screws and two 5 * 25 large flat screws ⑥ from the accessories package, fix the bracket on the upper and lower sides of the door panel with 4 * 12 self tapping screws ④ according to the dimensions shown in the figure, pre hit two 5 * 35 screws on the bracket, hang the door panel on the door body, place the screws in the oval groove in the door frame, realize left and right adjustment, and screw up and down with a screwdriver.

After the approximate position of the door panel is adjusted, screw two 5 * 25 screws through the oval hole of the positioning support ⑦ and into the middle hole of the door frame lining iron according to the figure, and tighten the screws to prevent the door body from loosening. (see Figure 1.2)

2. After the door panel is fully adjusted, take out six 5 * 45 ⑧ long self tapping screws from the accessories package, uncover the door seal, drill the screws through the screw holes in the left and right door frames, and tighten the door panel (see Figure 3).

3. Finally, use 4 * 12 self tapping screws ④ to pass through the holes on the upper and lower door hinges and fix them on the door panel (see Fig. 4).



OPEN ANGLE SIZE DRAWINGS:

VCWR-24PRS-1R/VCWR-24PRD-2R models