



SBC677BITWIN



34.5" x 23.63" x 25.75" (H x W x D)

Built-in undercounter frost-free beer dispenser with stainless steel wrapped door, digital thermostat, and complete dual tap kit

Highlights:

Frost-free operation ensures minimum user maintenance

Flexible design allows built-in or freestanding use in 24" spaces

Dual tap system allows you to serve beer from two 1/6 sized kegs

Complete tap kit includes everything you need for the perfect pour

Product Features:

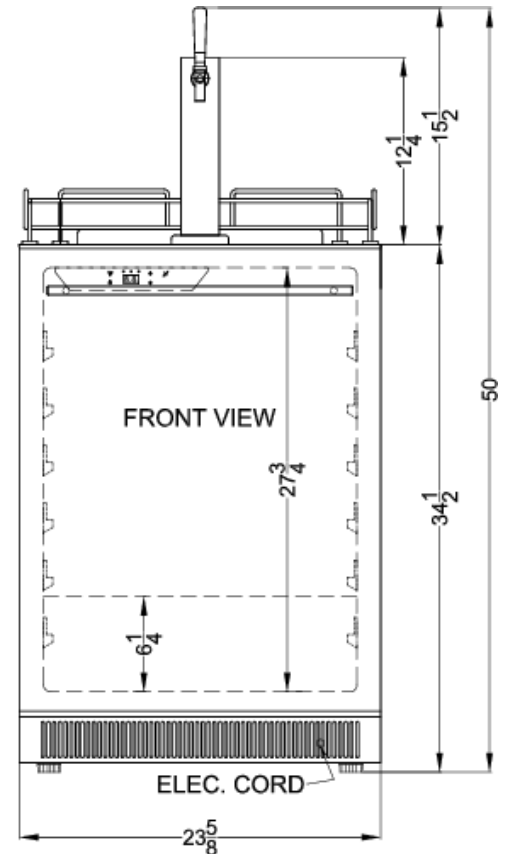
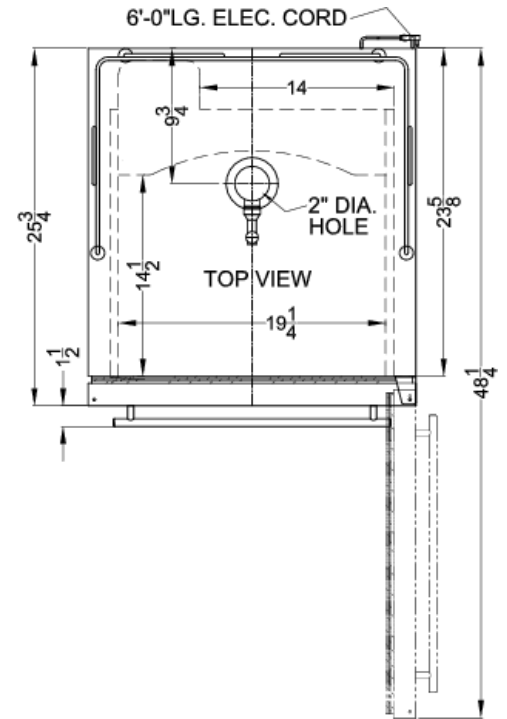
Built-in capable	Front-breathing design allows fully recessed installation under counters
Dual tap system	Twin taps let you serve two different types of beer from two 1/6 sized (sixtel) kegs
Frost-free operation	No-frost operation for minimum user maintenance
Stainless steel door	Fully wrapped 304 grade stainless steel door offers lasting durability and style
Professional horizontal handle	Sleek stainless steel handle is mounted horizontally for a modern look
Digital thermostat	Electronic controls ensure easy temperature management for optimum beer storage
Complete tap kit	Includes a 5 lb. CO2 tank and regulator, draft arm, dual Sankey American tap, connection hardware, and cleaning kit
Stainless steel drip tray	Two-piece drip tray included to help catch spills
Convertible to a refrigerator	Includes two adjustable glass shelves for alternate storage



SBC677BITWIN Specifications:

Overview	
Height	34.5"
Width	23.63"
Depth	25.75"
Depth with Handle	27.25"
Depth with door at 90°	48.25"
Capacity	6.5 cu.ft.
Defrost Type	Frost-Free
Door	Stainless Steel
Cabinet	Black
US Electrical Safety	ETL
Canadian Electrical Safety	ETL-C
Energy Usage/Year	308.0kWh/year
Amps	1.1
Voltage/Frequency	115 V AC/60 Hz
Weight	106.0 lbs.
Shipping Weight	120.0 lbs.
Parts & Labor Warranty	1 Year
Compressor Warranty	5 Years
Beer Dispenser	
Door Swing	RHD
Reversible	Yes
Tap Kit	Yes
Height with Tap	50.0"
Number of Taps	2
Adjustable Shelves	Yes
Shelf Type	Glass
Shelf Qty	2
Thermostat Type	Digital
Interior Light	Yes
Fan Type	Interior and Exterior
Refrigerant	R600a
Refrigerant Amount	1.2 oz.
High Side PSI	277.0
Low Side PSI	103.0
Inter Height	27.75"
Interior Width	19.25"
Interior Depth	24.25"

Compressor Step Height	6.25"
Compressor Step Width	19.25"
Compressor Step Depth	9.75"
Surface	Stainless Steel
Temperature Range	32° to 50°F



SUMMIT APPLIANCE DIVISION FELIX STORCH, INC.

770 Garrison Avenue, Bronx, NY 10474 USA TEL 718-893-3900 FAX 844-478-8799 info@summitappliance.com www.summitappliance.com