



# Kegco

## INSTRUCTION MANUAL

Model: TCK-17



**BEFORE USE, PLEASE READ AND FOLLOW ALL SAFETY RULES AND OPERATING INSTRUCTIONS.**

Kegco has a policy of continuous improvement on its products and reserves the right to change materials and specifications without notice

**KEGCO**

8520 Miralani Dr., San Diego, CA 92126

# Table of Contents

Specifications and Dimensions	.....	3
Overview	.....	4
Transportation and Storage	.....	5
Operating Instructions	.....	6
Refrigerator Parameters	.....	7
Refrigeration Principle Diagram	.....	9
Electical Principle Diagram	.....	10
Safety Information	.....	11
Temperature Controller Instructions	.....	15
Maintenance	.....	18
Warranty	.....	22

## SPECIFICATIONS

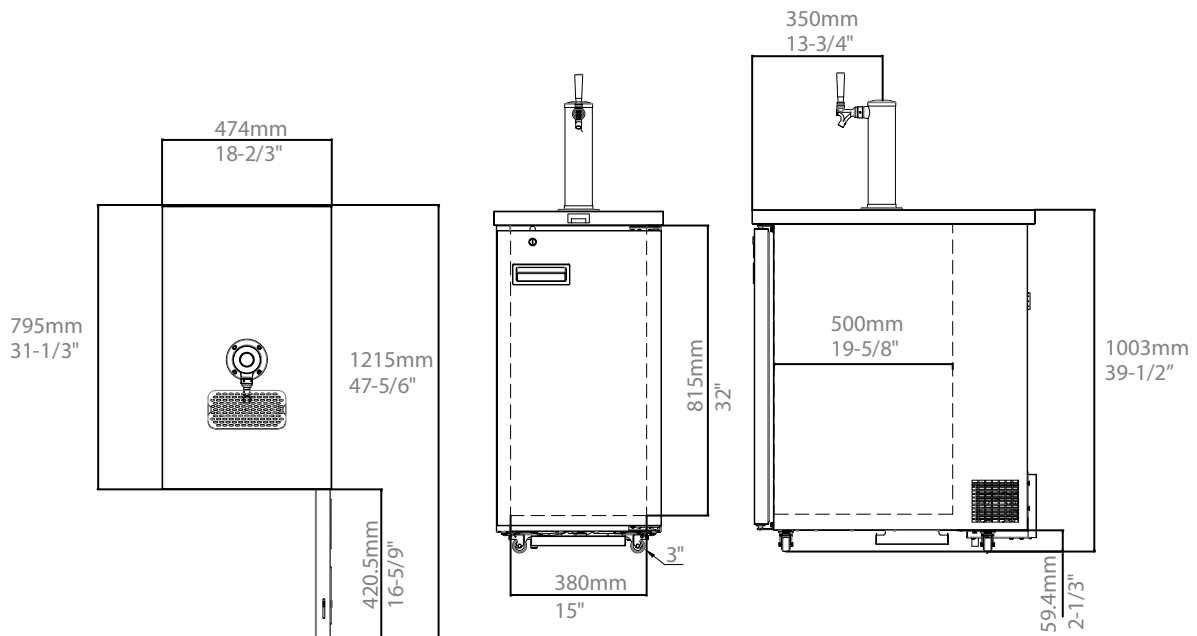
Part No. **1080287-75**

Exterior finishes: Black Vinyl over Steel	Box temperature: 32~46°F	Box size: 18-2/3"W x 31-1/3"D x 39-1/2"H
Box volume: 5/47ft <sup>3</sup>	Liquor outlet temperature: 37.4~44.6°F	Internal Dimensions: 15"W x 19-5/8"D x 32"H
1/4 Barrel (7.75 Gallons) Keg: 1	Width when the door is opened: 47 5/6"	Running Amps: 0.88A
1/4 Slim Barrel (7.75 Gallons) Keg: 1	Storage Cabinet Material: 304 S.S	Refrigerant: R600a/1.40 oz
1/6 Barrel (5.23 Gallons) Kegs: 2	Defrost type: Automatic	Parts and manual maintenance: 1 Year
Home Brew Tanks (5.0 Gallons) Kegs: 2	Voltage (V): 110-115V/60Hz	Compressor warranty: 3 year
Automatic door closing: Yes	Thermostat type: Mechanical Temperature Control	Number of labels: 2pcs
Number of wheels: 4 (2 universal + 2 directional)	Cooling system: Air cooling	

## PACKING INFORMATION

Unit Weight (LBS)	Shipping G . W (LBS)	Box Dimension
143	187	33-1/4"Lx20-7/8"Wx38-3/4"H

## DIMENSIONS:



# Overview

This instruction manual is an important part of the refrigerator, please keep it properly.

All information in this manual are important, please read it carefully so that you can install, use and maintain the refrigerator correctly. The Refrigerator can only be used for specified purpose, any use beyond the instruction is considered improper and can be dangerous.

The manufacturer is not responsible for any damages caused by incorrect installation or use.

In order to better serve customers, Talos will continuously improve the quality and develop new models. If there is any difference in appearance or parts, Talos will not provide any notifications and will not assume any responsibilities.

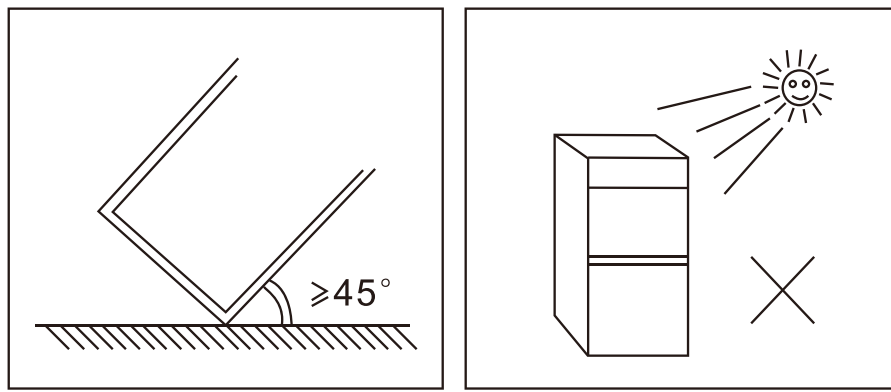
Please visit [www.talosusa.com](http://www.talosusa.com) for more information.

# Transportation and Storage

Refrigerator should be packed by special carton box before Transportation.

The cartons should be evenly placed on the vehicle and fixed.

Keep the Refrigerator upright while moving, maximum gradient is 45 degrees, don't turn upside down and place horizontally.



Refrigerator should be placed on flat ground, indoor temperature should be within 40°F ~ 104°F, relative humidity is no more than 60%.

**Note: Refrigerator must be turned on at least 2 hours after Transportation.**

The place of refrigerator placed should be cool & dry, having good air circulation, no corrosive gases, far from heat sources and sunlight. Refrigerator should be kept away from the wall at least 80 mm.

Please place the refrigerator flattened to avoid vibration or big noise.

# Operating Instructions

1.Be sure to remove all the packaging before use.

2.In order to get the best refrigerating efficiency, please keep a certain space between the kegs.

3.Please handle the kegs gently to avoid damages of the inwall.

4.Temperature can be adjusted by the temperature controller, see detailed instruction on P10.

## **Notes:**

**a.Please set the temperature according to the parameter table, to avoid the continuous working time of the refrigerator's compressor.**

**b.Don't set the temperature lower than 32°F to avoid frost in evaporator.**

5.In order to save electricity, please reduce the number of door opening and shorten the door opening time.

6.If it won't be used for a long time, please cut off the power, and make inspection of the power line before re-use.

7.When adding water, don't make the water tank full and make sure the power line is not wet.

8.Check the water level monthly.

9.Please choose suitable casters or footpads according to actual needs, and install firmly.

**Note: Don't hang heavy objects on the door.**

# Refrigerator Series Parameters

Specifications	Talos Air Cooling			
Part No.	1080182	1080185	1080287	1080487
Cooling system	Air Cooling	Air Cooling	Air Cooling	Air Cooling
Door	2	2	1	2
Max.20L Keg QTY	4	4	2	4
Box Temperature(°F)	34~43	34~43	34~43	34~43
Liquor outlet Temperature(°F)	37.4~44.6	37.4~44.6	37.4~44.6	37.4~44.6
Thermostat type	Mechanical Temperature Control	Mechanical Temperature Control	Mechanical Temperature Control	Electronic Temperature Control
Voltage(V)	110~115	110~115	110~115	110~115
Frequency(Hz)	60	60	60	60
Current(A)	0.9	1.3	0.88	0.72
Power(W)	71	128	87	71
Compressor(Hp)	1/5	1/5*	1/7	1/5*
Refrigerant	R600a/1.6OZ	R600a/1.6OZ	R600a/1.4OZ	R600a/1.6OZ
Internal Dimensions	20-3/4"Wx19-5/8" Dx32"H	20-3/4"Wx19-5/8" Dx32"H	15"Wx19-5/8" Dx32"H	20-2/7"Wx24-5/7" Dx32"H
Box size	23-3/4"Wx31-3/8" Dx39-3/8"H	23-3/4"Wx31-3/8" Dx39-3/8"H	18-2/3"Wx31-1/3" Dx39-1/2"H	35"Wx29"D x40-1/3"H
Unit weight(LBS)	165.4	167.5	143.3	189.6-198.5

## Statement:

- 1.Please refer to the nameplate on the cabinet for any parameter change caused by product improvement.
- 2.The switch of the light in the cabinet of some models adopts door control switch.

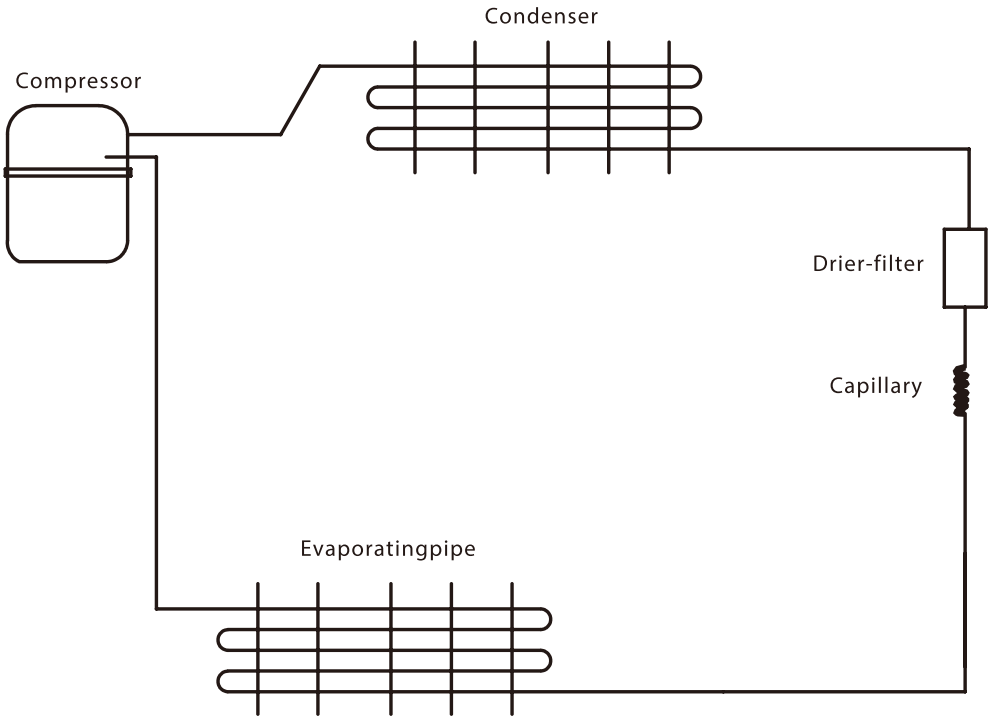
# Refrigerator Series Parameters

Specifications	Talos Air Cooling			
Part No.	1080687	1080887	1080987	1080387
Cooling system	Air Cooling	Air Cooling	Air Cooling	Air Cooling
Door	4	6	8	10
Max.20L Keg QTY	6	8	11	15
Box Temperature(°F)	34~43	34~43	34~43	34~43
Liquor outlet Temperature (°F)	37.4~44.6	37.4~44.6	37.4~44.6	37.4~44.6
Thermostat type	Electronic Temperature Control	Electronic Temperature Control	Electronic Temperature Control	Electronic Temperature Control
Voltage(V)	110~115	110~115	110~115	110~115
Frequency(Hz)	60	60	60	60
Current(A)	0.84	2.4	2	/
Power(W)	83	237	237	/
Compressor(Hp)	1/5	1/4*	1/4*	/
Refrigerant	R600/1.8OZ	R600/1.8OZ	R600/1.8OZ	R600/1.8OZ
Internal Dimensions	29-1/2"Wx24-5/7" Dx32"H	38-3/4"Wx24-5/7" Dx32"H	49-1/5"Wx24-5/7" Dx32"H	62-2/5"Wx24-5/7" Dx32"H
Box size	44-4/7"Wx29" Dx40-1/3"H	55-5/8"Wx29" Dx40-1/3"H	66-1/7"Wx29" Dx40-1/3"H	82"Wx29" Dx40-1/3"H
Unit weight(LBS)	220.4~229.3	252.4~257.9	262.3~267.8	341.7~352.7



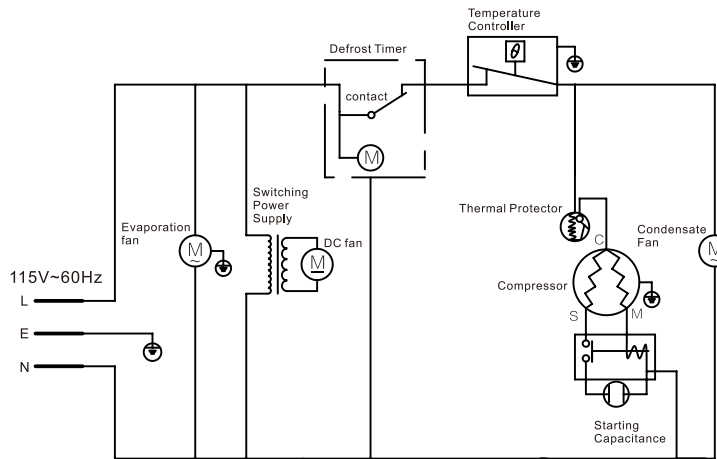
# Refrigeration Principle Diagram

## Air Cooling Refrigerator

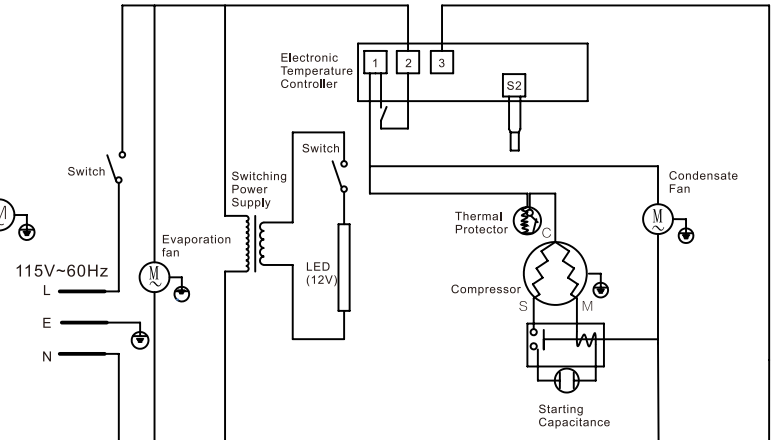


# Electrical Principle Diagram

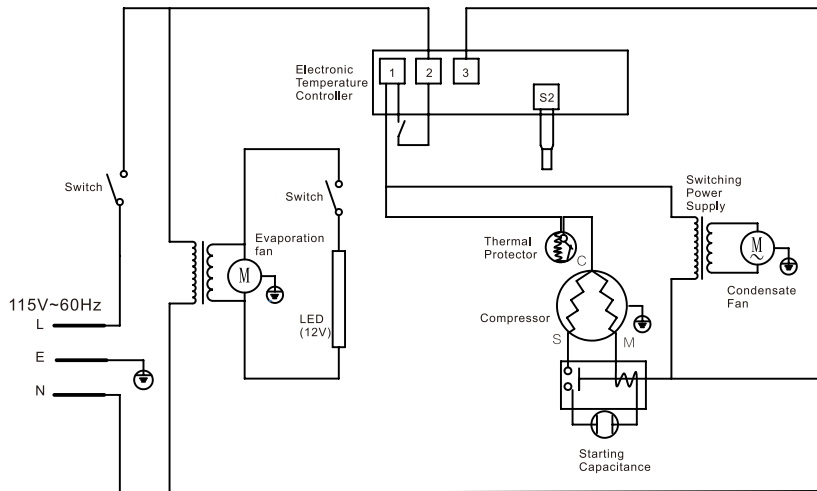
## Air Cooling Refrigerator



1080185-1080182-1080287  
Intelligent air cooling circuit diagram



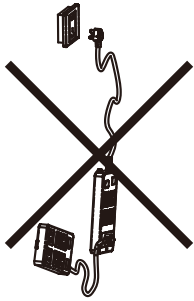
1080487-1080687  
Intelligent air cooling circuit diagram



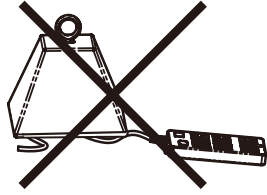
1080887-1080987  
Intelligent air cooling circuit diagram

# Safety Information

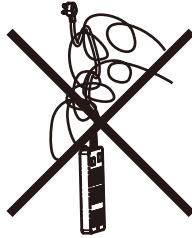
Note: special power supply and ground line must be used



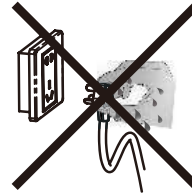
Do not use interconnect power supply, or multiple devices sharing one power supply, which may cause overheating or fire



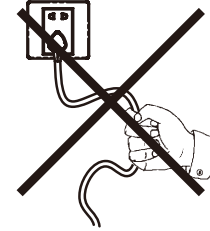
Do not put heavy weight on the wire.



There must be no foreign body on the wire or wire winding.



Do not use wet hands to pull out the power plug.



When unplugging the power plug, please hold the plug body and pull it out.

(1) The power supply voltage must be kept within the rated voltage range required on the nameplate of the machine. If it exceeds this voltage range, it may cause smoke, fire, mechanical failure or failure;

(2) The electrical power supply must be commissioned by a professional company or personnel according to the rated voltage requirements of the machine;

(3) Please use the socket that can connect the ground wire terminal, and confirm that the ground wire on one side of the socket is connected well;

(4) The socket shall meet or exceed the rated current requirements of the machine. If the installed socket does not meet the conditions for connecting the ground wire terminal, the ground wire can be connected with the fixing screw dedicated to the ground wire on the back of the left engine compartment panel (the wire for the ground wire is not an accessory, please prepare it locally);

(5) Pay attention that the wires are not pressed by the machine or heavy objects during installation. Cannot be entangled by other objects;

(6) Some high-specification products may be equipped with anti leakage protector on the power line when they leave the factory. It is necessary to test whether the switching action of the protector is effective once a month. If the indicator light of the machine is not on, it is possible that the leakage protector on the machine has been powered off. At this time, it is necessary to check the machine. Leakage may be caused by some external reasons, resulting in automatic power off of the leakage protector;

(7) Others:

1. whether the plug protection cover is fastened. If it is not fastened, it may lead to poor contact and power failure. Do not use wet hands to plug and unplug the power plug. When unplugging the power plug, please hold the plug body and pull it out. Do not pull the power cord to unplug the plug, otherwise the power cord may be damaged;

2. The ground wire shall not be connected above the gas pipeline, water pipe, lightning rod, telephone line, etc.

Improper grounding may cause electric shock.

## Storage security

Do not store medical products in the cabinet (except special customized products). Do not put flammable, explosive, corrosive or volatile chemicals, such as alcohol, gasoline, methanol, adhesives, etc.

## Cleaning

1. Please keep the refrigerator dry and clean. Recommend regular cleaning. Do not use wire brush and metal tools, to avoid damage to stainless steel or metal surface.

2. Please keep the condenser clean.

Note: Do not flush the cabinet with water to avoid short circuit.

3. All refrigerator install beer tower and other accessories, please clean system piping and related accessories after daily use.

4. Water can be discharged at the bottom of the dual-cooling refrigerator, replace frequently as appropriate.

## Defrosting

This Kegerator has function of automatic defrosting.

**Warning: Due to the large capacity of the kegerator, children are not allowed to enter into the kegerator, After the kegerator is scrapped, the door closure must be removed to prevent children from playing in the box.**

① This appliance is not intended for use by persons (including children) with reduced physical, sensory or mental capabilities, or lack of experience and knowledge, unless they have been given supervision or instruction concerning use of the appliance by a person responsible for their safety.

Children should be supervised to ensure that they do not play with the appliance.

- ② If the supply cord is damaged, it must be replaced by the manufacturer, its service agent or similarly qualified persons in order to avoid a hazard.
- ③ -WARNING: When positioning the appliance, ensure the supply cord is not trapped or damaged.
- WARNING: Do not locate multiple portable socket-outlets or portable power supplies at the rear of the appliance.
- ④ Do not store explosive substances such as aerosol cans with a flammable propellant in this appliance.
- ⑤ This appliance is intended to be used in household and similar applications such as
- staff kitchen areas in shops, offices and other working environments;
  - farm houses and by clients in hotels, motels and other residential type environments;
  - bed and breakfast type environments;
  - catering and similar non-retail applications.
- ⑥ The device is not used to store food.

⊘ Refrigerant and cyclopentane foaming material used for the refrigerator are flammable. Therefore, when the refrigerator is scrapped, it shall be kept away from any fire source and be recovered by a special recovering company with corresponding qualification other than be disposed by combustion, so as to prevent damage to the environment or any other harm.

! When the refrigerator is scrapped, disassemble the doors, and remove gasket of door and shelves; put the doors and shelves in a proper place, so as to prevent trapping of any child.





Correct Disposal of this product:

This marking indicates that this product should not be disposed with other household wastes throughout the EU. To prevent possible harm to the environment or human health from uncontrolled waste disposal, recycle it responsibly to promote the sustainable reuse of material resources. To return your used device, please use the return and collection systems or contact the retailer where the product was purchased. They can take this product for environmental safe recycling.

## Temperature Controller Operating Instructions

Temperature control adjustment mode:



Setting (  the key is the confirmation function and  is the exit function.)

### Setting method of temperature display function:

Display **UNP**, press the up key and down key for 5 seconds at the same time to display the **tHE**,

Press the up key twice to display **ASI**, and press the OK key to display **USA**; Press the down key 9 times to display **S1A**, press the OK key to enter, display **SCO**, and press the key once to adjust to **NC**;

Press the OK key to display **S1A**; Press the down key once to display **S2A** and **NC**, press the OK key and press the up key once to adjust to **SCO**; Press the OK key to display **S2A**. Press to exit the temperature page to display the temperature.

### Setting method of air cooling 1 on and 6 off:

Press the up key and the down key for 5 seconds at the same time to display the **tHE**,

Press OK to display **SEt**, press OK to display **2.0** and set it to **1.0**;

Press OK to display **SEt**, press once to display **SPr**, press OK to display **0.5**, and press down to **0.0**; Press OK to display **SPr**, press once to display **DIF**,

press OK to display **2.0**, and press up to **5.0**; Press OK to display **DIF**, press twice to display **LSE**, press OK to display **- 35**, and press up to **0.0**;

Press OK to display **LSE**, and press to exit to the temperature display interface.

### Defrosting setting method:

Press the up key and the down key for 5 seconds at the same time to display the **tHE**,

Press down 4 times to display **def**, press OK to display **DEF**, press OK to display **no**, and press the previous time to set it to **NAT**; Press OK to display **DFT**,

press the previous 6 times to display **DCT**, press OK to display **no**, and press the previous 1 time to set as **yes**; Press to confirm that **DCT** appears;

Press once to display **doC**, press OK to display **0**, and press up to set to **6**;

Press OK to see **doC**; Press the previous 6 times to display **DIT**, press OK to display **5**, and press the previous button to set it to **30**; Press OK to display **DIT**.

Press to exit to the temperature interface.

# System pipeline cleaning, inspection work

## line washing

1.Remove the tank and turn the jar (1000ml) out;Take taihua CX VS11(by 7.5g/liter) and warm water (47~55). Pour the mixture into the pot according to the proportion of the proportion and the requirement, and tighten the connection with the cleaning agent.

2.Wash the nut of the tank out of the water pipe and the inside of the double cold case into the wine connector and tighten the connection.

3.In a container at leading wine outlet, a tap (such as tap with the function of the springback, suggest to remove the front screw tap and spring, note must not be lost), and press the cleaning tank, cleaning agent into the line, container catch the wine in the pipeline, until close the tap after cleaner outflow, guarantee the cleaner in the line for 10 ~ 20 minutes, according to need to extend the stay time in different Settings

4.After the time is up, repeat the steps of the appeal. It is recommended that the number of cleaning cycles per loop should be no less than 2 cycles, and the number of cycles will be increased depending on the removal of pollution.

5.Fill the tank with warm water, open the tap, press the cleaning tank, drain the cleaning agent in the line, and test with the PH test until the water is neutral.

6.Tidy up the accessories and clean up the machine. Or do the tap cleaning work.

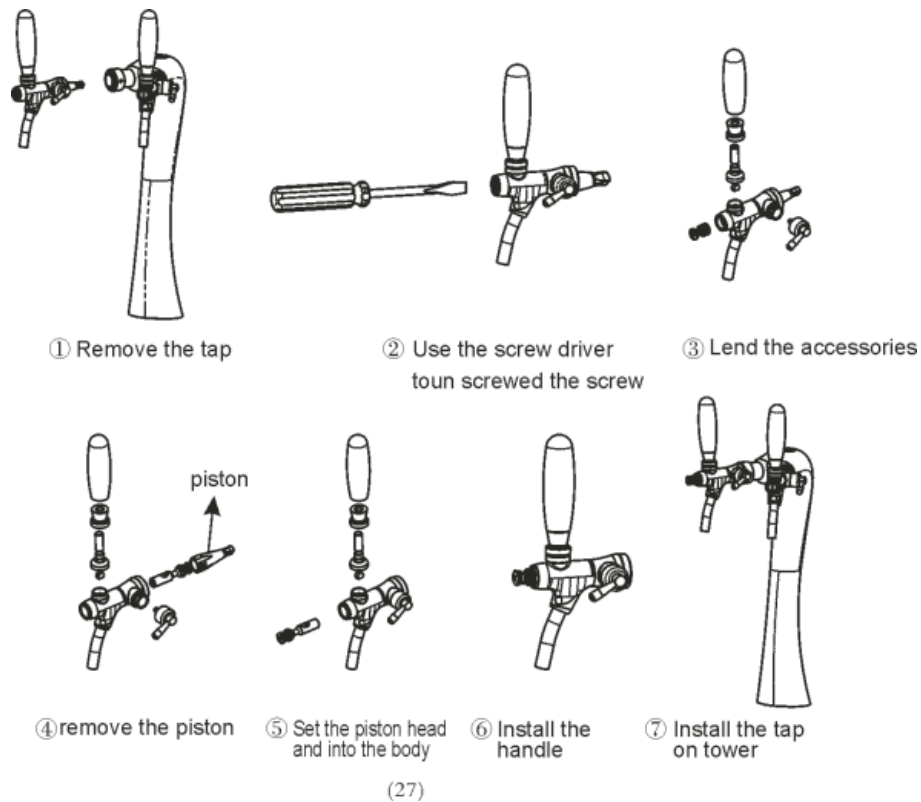


# Faucet cleaning, inspection work

## Leading cleaning

1. Take CX VS11 taihua element (according to 7.5 g/litre) and warm (47 ~ 55 °C), according to the matching ratio and requirements on demand into the container.

2. As shown in the figure below, refer to the steps to remove the faucet. Note that the disassembly step is convenient for later loading and the parts shall not be lost.



3. Soak the leading parts in the container for 10 to 20 minutes, and wash them carefully with a long brush.

4. After cleaning, clean water and test with PH test until neutral.

5. After all the cleaning is finished, assemble the parts back to the finished product, and refer to the above picture to put the faucet back to the wine column/wine tower.

# Maintenance

In order to effectively operate the normal system, food safety, personal safety, routine maintenance and repair is necessary maintenance content and frequency see the follow excel sheet:

NO.	Maintenance content	Frequency	Objective	Checking point	checking point
1	Condenser	Clean the dust	every 2month	To achieve the best cooling effect	Use soft brush to avoid any damages.

## Fault Identification and Troubleshooting

In order to enable the operator to make better use of the system, the following table lists the common problems of identifying the troubleshooting.

NO.	Abnormalities	Causal Analysis	Troubleshooting	Remarks
1	Compressor does not work	Low voltage	Check the voltage,use power regulator	operated by professional serviceman
		Burn out of motor windings	Check/Repair of replacement	
		Burn out of Starter and protector	Repair of replacement	
		Compressor parts stuck	Check/repair of replacement	
		Emperature adjustment witch is not correct setup	Check the switch	

NO.	Abnormalities	Causal Analysis	Troubleshooting	Remarks
2	Compressor doesn't stop	Thermostat sensor fault	Repair or replacement	operated by professional serviceman
3	Compressor on frequent downtime	Fan doesn't work	Lack of oil for crankshaft	operated by professional serviceman
		Compressor winding Short	Repair of replacement	
4	No beer comes out from the tap	The beer pipe is blocked by something	1.Observe the keg coupler beer tube, if the beer flow to the beer cooler but not through the beer tower, it means the beer cooler tube are blocking. So you need to remove the beer tube, use the high pressure gas to clean the beer tube, if not succeed you need to change to a new beer tube.	2.If the beer flow to the beer cooler and also to the beer tower, it means taps are blocked. Then you need to remove the taps, use the high pressure gas reverse to clean the tube, if not succeed you need to change to a new beer tube (which from the beer cooler to taps).
		Open the lid of the cooler and observe if the ice layer has frozen the beer tube or not.	1. If it is frozen, lower the temperature of the thermostat, then take out some ice water from the cooler and add normal temperature water, and dissolve part of the ice storage layer. 2.If you lower the thermostat is useless, you need to purchase a new one.	
5	Cooler is not cooling	Route failure	Open the right ventilation grille on the lower right side, the fan on the compressor side is working, touch the compression by hand.If the compressor does not vibrate and there is a problem with the compressor circuit, it is necessary to call the electric maintenance personnel to repair the line.	operated by professional serviceman
		Compressor failure	Open the right ventilation grille on the lower right side, the fan on the compressor side is working, touch the compressor by hand. If the compressor is not vibrating, there is a problem with the compressor line or the compressor is faulty.	Check it while the fan is working, repaired by Personnel in need of refrigeration electrical maintenance qualifications.
		Insufficient refrigerant	Open the top cover, open the beer machine, and squeeze the evaporator tube by hand. If there is no refrigeration on the pipe, it means that the refrigerant is insufficient, and it needs to be repaired by the maintenance personnel.	Check it while the compressor is working, repaired by Personnel in need of refrigeration electrical maintenance qualifications.

NO.	Abnormalities	Causal Analysis	Troubleshooting	Remarks
5	Cooler is not cooling	The condenser heat sink fins are more dusty, resulting in failure to properly dissipate heat.	Open the front ventilation grille and brush it with a brush Dust on the fins	Do not touch the fins with metal brushes and blunt objects.
		Condenser failure, no heat dissipation	Open the right ventilation grille on the lower right, the fan on the compressor side is not working	repaired by Personnel in need of refrigeration electrical maintenance qualifications.
		Thermostat failure, it cannot be powered on.	Adjust the thermostat knob to the highest level, the fan on the compressor or compressor side is not working, you can judge the temperature controller is damaged and need to be replaced.	Replacement of the thermostat requires the purchase of a matching thermostat model from the manufacturer of the cooler. Repaired by personnel with electrical qualifications.
		The position of the cooler is unreasonable, resulting in insufficient space for the vents, and the heat cannot be fully dissipated.	Check if there is 15" left in the perimeter and upper part of the cooler.	Do not place in a sealed cabinet.
6	The cooler is noisy	The noise brought by the cooler itself	Listening in a quiet environment, it is a sound that the fan drives the airflow, which is normal and requires no maintenance.	
		Noise caused by problems with parts quality	Listening in a quiet environment, with metal or plastic friction and impact sounds to determine the problem with the part, find the source of noise	Repaired by electrical maintenance personnel
		The cooler is not placed horizontally	Re-adjust the level of the position of the cooler.	
		Nuts for compressors, fans, condensers, etc. are loose.	Tighten screws and nuts	
7	More foam when drinking	The temperature of the wine is too high, and the normal temperature is 37.4 F~44.6 F	Control the temperature of the beer	
		air pressure too high or too low	The pressure of different beers is different. Generally, it is between 11.6 ~36.26PSI. When adjusting pressure, it should be slowly adjusted from low pressure to high pressure until the pressure is suitable and the type and pressure of the wine are recorded. Generally, it is between 0.8 ~ 2.5 bar. When adjusting pressure, it should be slowly adjusted from low pressure to high pressure until the pressure is suitable and the type and pressure of the wine are recorded.	

NO.	Abnormalities	Causal Analysis	Troubleshooting	Remarks
7	More foam when drinking	There is a problem with the quality of the keg	Turn on the keg coupler and turn off the taps. Observe the pipe at the keg coupler's beer outlet, if you keep on Generate bubbles, indicating a problem with the keg	Contact the Brewery to change the keg.
		Poor choice or poor quality	After eliminating the above three faults, there are still a lot of foams. At this time, it is basically possible to determine that the tap is improperly selected or of poor quality.	Replace the tap.

**Notes: The following phenomena are not malfunctions**

A slight running sound is heard in the freezer.

The compressor and condenser are hot or even hot.

When the ambient humidity is high, dewdrops are easily generated on the outside of the cabinet.

**The company reserves the right to change the product specifications, model, parameters, appearance, etc., if there is any change without notice.**

## **Warranty Information**

### **WHAT IS COVERED LIMITED ONE-YEAR WARRANTY:**

For one year from the date of purchase by the original owner, Kegco will, at its option, repair or replace any part of the unit, which proves to be defective in material or workmanship under normal use. During this period Kegco will provide all parts and labor necessary to correct such defects free of charge, so long as the unit has been installed and operated in accordance with the written instructions in this manual. Kegco will provide you with a reasonably similar replacement product that is either new or factory refurbished. In rental or commercial use, the warranty period is 90 days. All Kegco Appliances of 3.5 cubic feet capacity or less must be brought/sent to the appliance service shop for repair.

### **LIMITED SECOND THROUGH FIFTH YEAR WARRANTY:**

For the second through the fifth year from date of original purchase, Kegco Products will provide a replacement compressor free of charge due to a failure. You are responsible for the service labor and freight charges. In rental or commercial use, the limited compressor warranty is one year and nine months. Cost to move the appliance to the servicers' shop and back to the user's home, as may be required, are the user's responsibility.

### **WHAT IS NOT COVERED:**

- Content losses of food or other, due to spoilage.
- Incidental or consequential damages.
- Parts and labor costs for the following will not be considered as warranty:
  - Door springs, and/or frames.
  - Inner door panels, door rails and/or door supports.
  - Light bulbs and/or plastic housing.
  - Plastic cabinet liners.
  - Punctured evaporator that voids the warranty on the complete sealed system.
  - Repairs performed by unauthorized servicers.
  - Shipping and handling costs associated with the replacement of the unit.
  - Service calls that do not involve defects in material or workmanship such as customer education, door reversal, or proper installation.
  - Surcharges including, but not limited to, any after hour, weekend, or holiday service calls, tolls, ferry trip charges, or mileage expense for service call to remote areas, including the State of Alaska.
  - Service calls that are related to external problems, such as abuse, misuse, inadequate electrical power, accidents, fire, floods, or acts of God.
  - Replacement of house fuses or resetting circuit breakers.
- Failure of the product if it is used for other than its intended purpose.
- This warranty does not apply outside the Continental USA.

### **SERVICE FOR YOUR REFRIGERATOR:**

With the purchase of your Kegco appliance, you can have the confidence that if you ever need additional information or assistance, the Kegco Customer Service team will be here for you. Whatever your questions are about our products, help is available. Just call us toll-free.

### **KEGCO PRODUCT CUSTOMER SERVICES:**

Product Information, Part Orders and In-Home Repair Service: **888-980-4810**