

CHUGGER PUMP SS

MAX WATER TEMP 250°F

CAUTION: DO NOT RUN PUMP DRY, IT WILL CAUSE DAMAGE NOT COVERED UNDER WARRANTY

CHUGGER PUMP CO. WALL, NJ



Chugger Pump is a booster pump designed to transfer hot and cold liquids. It is not a self priming pump - **DO NOT RUN DRY**

General Specifications:

Model	Construction	Max Flow	Max head	Port Sizes	Voltage	Max Temp
CPSS & CPCS	Stainless Steel	7gpm	18ft	½" NPT	115 or 230 VAC	250F
CPPP	Polysulfone	7gpm	18ft	½" NPT	115 or 230 VAC	250F

Note: Impeller is made from FDA Ryton/Teflon and Stainless Steel.

Installation:

The Chugger Pump is shipped ready for installation. Directional arrows on the pump head show fluid direction through the pump. The four screws on the pump head may be removed and the pump head can be rotated as required to fit your piping system.

The motor should be oiled yearly with 4-5 drops SAE20 weight non-detergent oil, do not over oil.

Follow all local electrical and safety codes and always disconnect power before performing work on or near the pump motor.

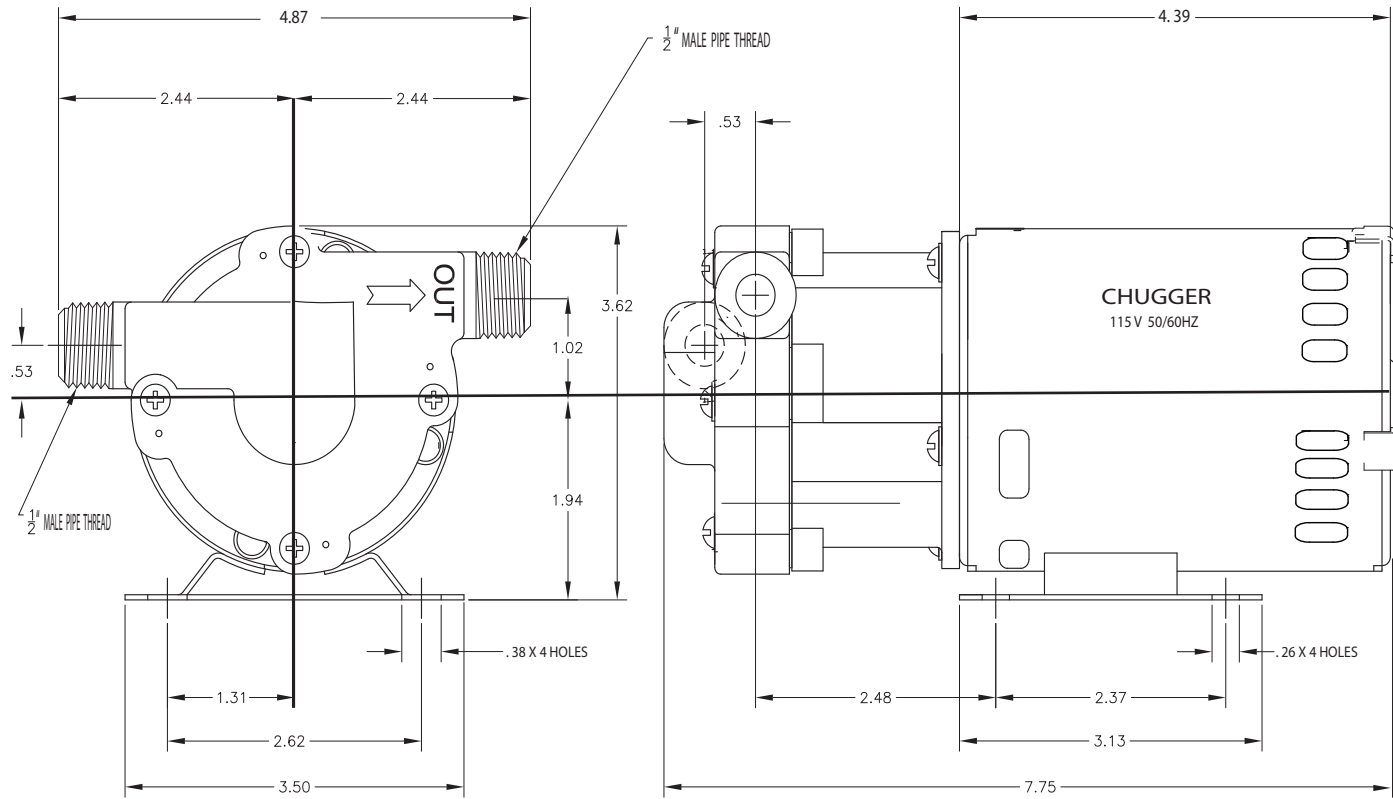
Limited Warranty: Chugger Pumps are warranted only against defects in workmanship for a period of 6 months from the date of purchase. **DO NOT RUN THE PUMP DRY**, it will not be covered under warranty. **A SQUEALING SOUND IS A WARNING YOU ARE RUNNING THE PUMP WITH NO FLUID!!! POWER OFF IMMEDIATELY!!! DO NOT PLUMB INLET TUBING OR CONNECTIONS WITH LESS THAN 1/2" FULL PORT FITTINGS. THIS WILL RESULT IN CAVITATION AND PROBLEMS WITH YOUR PUMP!!!**



- 1) 109821 - Housing Screw (4)
- 2) 109822 - Stainless Steel Front Housing
- 109819 - SS Center Inlet Front Housing
- 109820 - Plastic head
- 3) 109823 - Thrust Washer
- 4) 109824 - Housing O-Ring
- 5) 109825 - Impeller

- 6) 109826 - Stainless Steel Rear Housing
- 109826-1 - Rear Housing Disc
- 7) 109827 - Rear Housing Screw (4)
- 8) 109828 - Drive Magnet
- 9) 109829 - Motor Connecting Bracket
- 10) 109830 - Motor Screw
- 11) 109831 - Motor- 115VAC 1/20 HP

Chugger Pump Company
 5044 Industrial Rd, Unit C
 Farmingdale NJ 07727
info@chuggerpumps.com
 866-921-1340
www.chuggerpumps.com



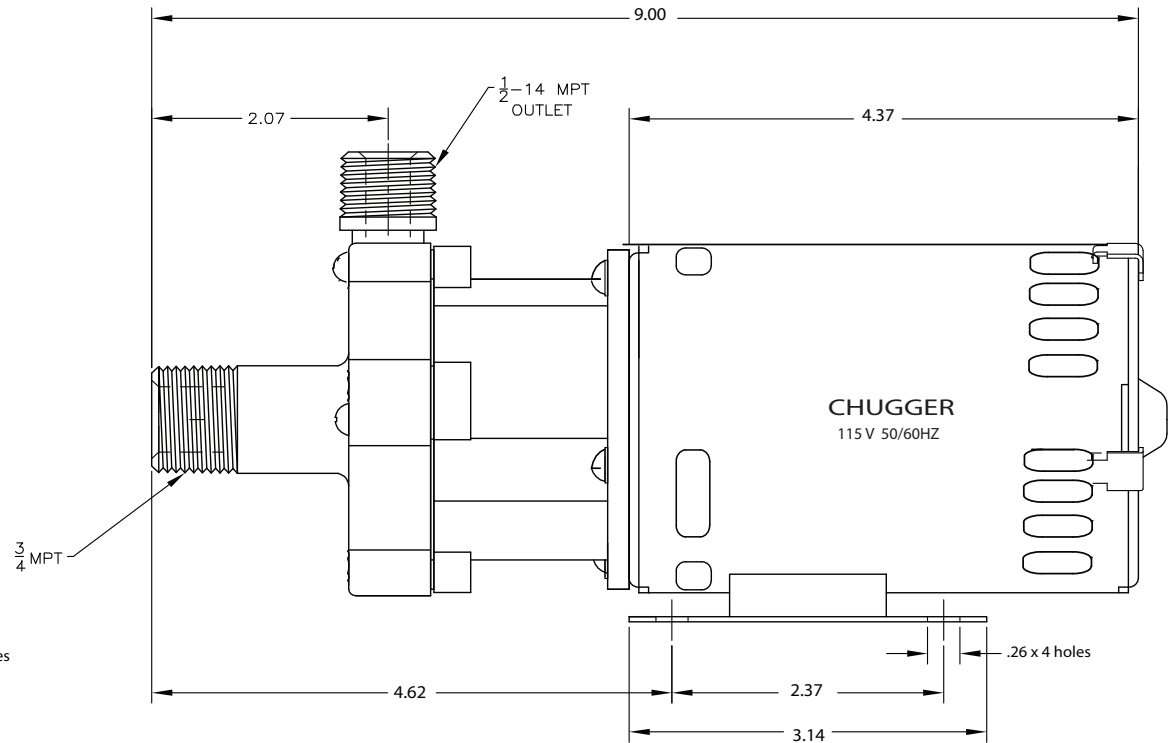
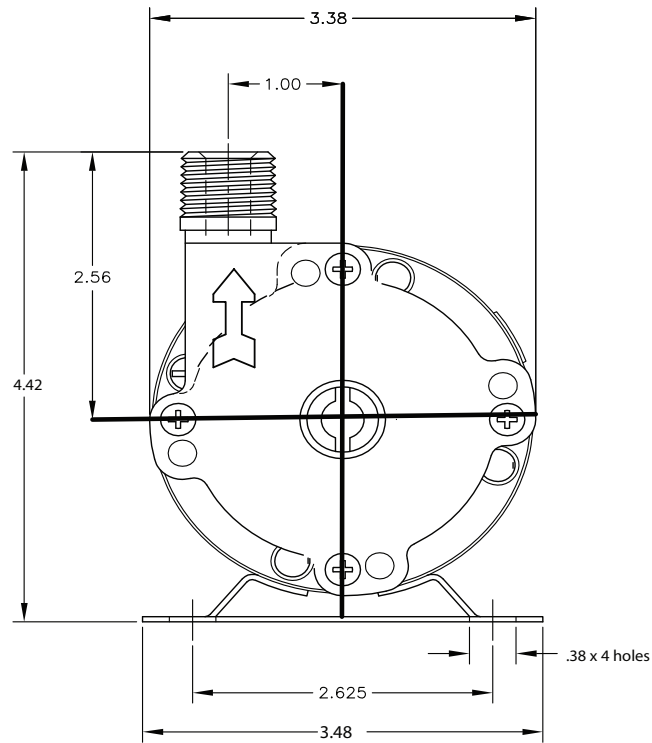
NOTE: 56" CORD ON
RIGHT SIDE OF PUMP
(LOOKING FROM REAR)

3500 RPM MOTOR

**CHUGGER PL INLINE
CHUGGER SS INLINE
ALL MEASUREMENTS IN INCHES**



1/2" MALE PIPE THREAD
C14



3500 RPM MOTOR

NOTE: 56" CORD WITH PLUG
ON THE RIGHT SIDE OF PUMP
(LOOKING FROM REAR)

CHUGGER SS CENTER
ALL MEASUREMENTS IN INCHES



CHUGGER SS INLINE
CHUGGER SS CENTER
CHUGGER PL INLINE
115 VOLT 50/60 HZ

