

WH95FC • 14" Marine Crescent Ice Maker • Marine Series

FEATURES & BENEFITS



WHITE SOLID
(FLANGE TO
CABINET)

PERFORMANCE	<ul style="list-style-type: none"> • Uses less than 3 gallons of water to produce up to 23 lbs of ice per day • Up to 12 lbs in ice storage capacity • Crescent ice cube dimensions: 1/2" W x 3/4" H x 1/2" L • On/Off switch is conveniently located on the grille • Available in 115 or 220 - 240 volts
INTERIOR/EXTERIOR	<ul style="list-style-type: none"> • No drain required • Zero clearance door swing is field reversible • Standard travel package includes door latch, ensuring safe-at-sea storage • Corrosion and UV resistant components provide product longevity in harsh environments
INTEGRATION	<ul style="list-style-type: none"> • Unit is designed to be built-in or can be freestanding • Accepts a 1/4" custom panel • 1/2" flange mounts flush to cabinet

MODEL DETAILS

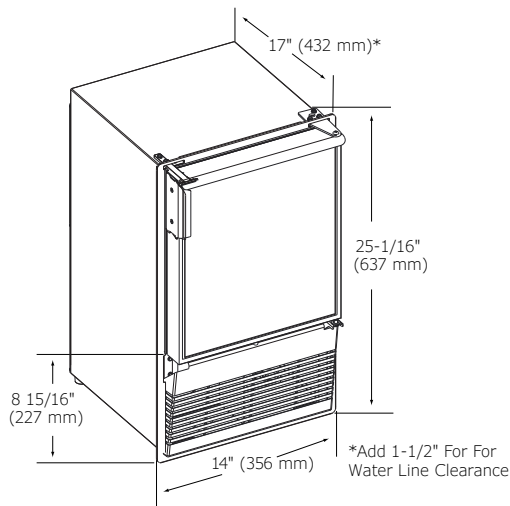
Model	Voltage/Hz	Door Swing	Finish	Shipping Weight
ULN-WH95FCS-03A	115 / 60	Field Reversible (Flange to Cabinet)	White Solid	62 lbs
ULN-WH95FCS-20A	220-240 / 50	Field Reversible	White Solid	62 lbs

ACCESSORIES

Model	Description	Finish	Shipping Weight
WATERHOOKUP	Braided water supply line kit	na	2 lbs

Marine Series • 14" Marine Crescent Ice Maker • **WH95FC**

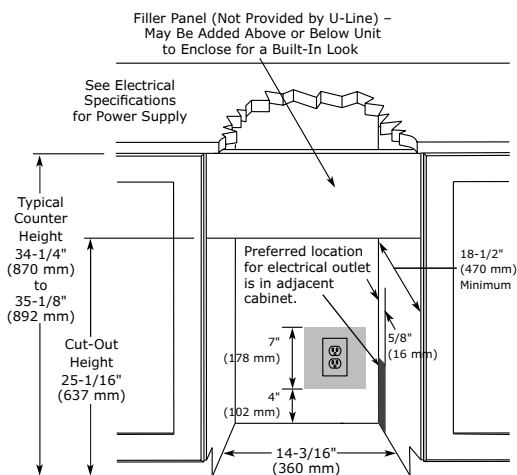
DIMENSIONS



SPECIFICATIONS

Model	WH95FC
Amps: Running (115 v)	1.2
Amps: Running (220 - 240 v)	1.2
Amps: Max Start Up (115 v)	18
Amps: Max Start Up (220 - 240 v)	6
Control Type	On/Off Switch
Defrost Type	Manual
Dimensions: Product Depth	17" / 432 mm
Dimensions: Product Height	25 1/16" / 637 mm
Dimensions: Product Width	14" / 356 mm
ENERGY STAR	na
Ice Production Per Day	23 lbs
Ice Storage	12 lbs
Product Weight: Max	56 lbs
Refrigerant Type	R134A
Sabbath (Star K Certified)	No

CABINET CUT-OUT



INSTALLATION NOTES

No additional clearance around sides, top or rear of unit is needed for ventilation.

Do not obstruct front grille air flow.

UL listing only applies to 115 v models.



Please visit u-line.com to view this model's User Guide. All specifications are subject to change without notice.