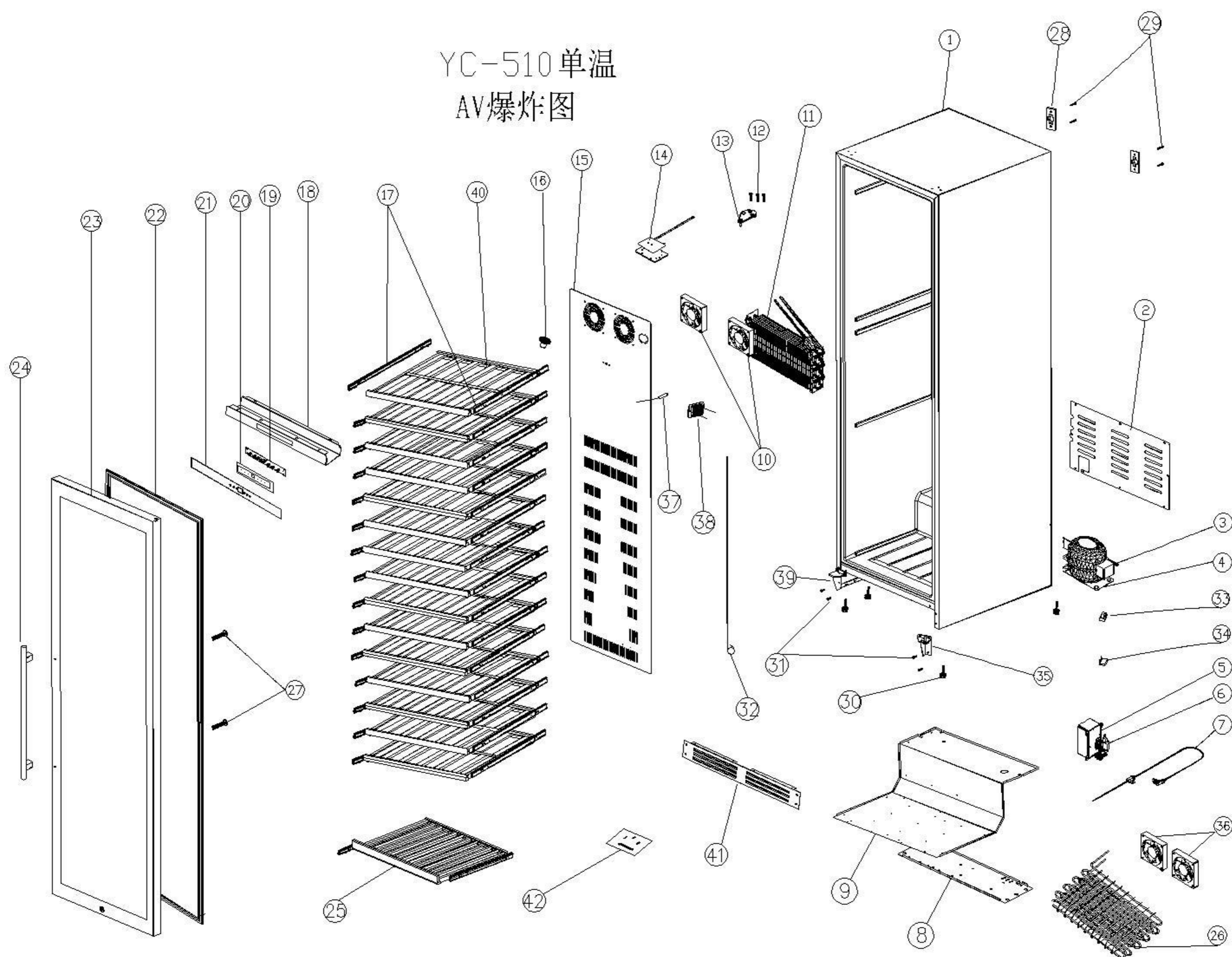


# WR174

由 Autodesk 教育版产品制作

## YC-510 单温 AV 爆炸图



由 Autodesk 教育版产品制作

- |    |                             |                 |    |                          |           |
|----|-----------------------------|-----------------|----|--------------------------|-----------|
| 1  | Cabinet                     |                 | 29 | Tapping screw            |           |
| 2  | Compressor Room Cover       | -CCOVER         | 30 | Adjust feet              | -FOOT2    |
| 3  | Compressor Protection Cover |                 | 31 | Under hinge screw handle |           |
| 4  | Compressor                  | -COMP1          | 32 | Muffler component        | -STARTER2 |
| 5  | PCB Box                     | -PPCBBO         | 33 | Compressor starter       |           |
| 6  | PCB                         | -CORD           | 34 | Compressor protector     |           |
| 7  | Power Line                  |                 | 35 | Lower right hinge        | -DH       |
| 8  | Compressor Plate            |                 | 36 | Condenser fans           | -CONDFAN  |
| 9  | Base Plate                  |                 | 37 | Temperature sensor       |           |
| 10 | Fan                         | -EVAPFAN        | 38 | Temperature Sensor Cover |           |
| 11 | Finned-Type Evaporator      | -EVAP4          | 39 | Left hinge screw         | -SHELF4   |
| 12 | Top-Hinge Screw             | -HINGESCREW     | 40 | Wooden shelves           |           |
| 13 | Top Left/ Right Hinge       | -HINGE1         | 41 | Upper hinge screw        |           |
| 14 | Top Left/ Right Hinge       |                 | 42 | Bottom grill             | -GRILL    |
| 15 | Top Light                   | -LIGHT2         | 43 | Lock plate               | -LOCK     |
| 16 | Ventilation plate           |                 | 44 |                          |           |
| 17 | Activated Carbon            |                 | 45 |                          |           |
| 18 | Controler Box               | -D PCB2         | 46 |                          |           |
| 19 | Controler PCB               | -S PCB          | 47 |                          |           |
| 20 | Control PCB assembly parts  | -PCBRACK        | 48 |                          |           |
| 21 | Control panel PCB support   |                 | 49 |                          |           |
| 22 | Doorseal                    | -DSEAL          | 50 |                          |           |
| 23 | Stainless steel door        | -DOOR / -DOOR 7 |    |                          |           |
| 24 | Handle                      |                 |    |                          |           |
| 25 | Small Shelves               | -SMSHELF        |    |                          |           |
| 26 | Condenser                   |                 |    |                          |           |
| 27 | Handle screw                |                 |    |                          |           |
| 28 | Nylon button                | -DHS            |    |                          |           |

由 Autodesk 教育版产品制作

E:\yujie\510\2D\爆炸图\510爆炸图-AV.dwg

由 Autodesk 教育版产品制作