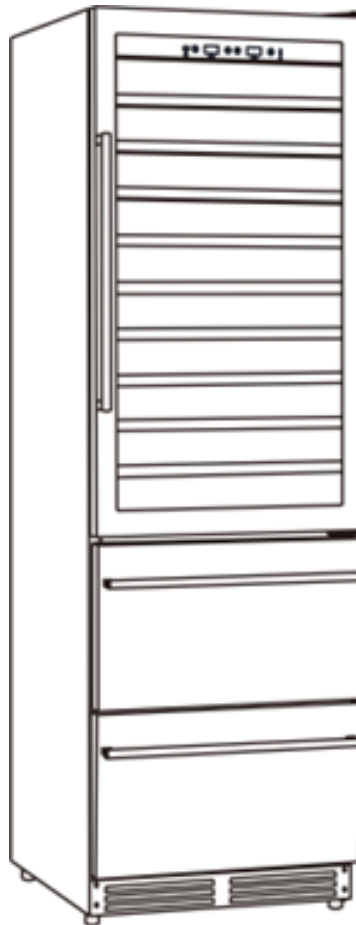




## INSTRUCTION MANUAL

**FREESTANDING WINE COOLER WITH TWO REFRIGERATED DRAWERS**  
MODEL: YHWR7724D



**BEFORE USE, PLEASE READ AND FOLLOW ALL SAFETY RULES AND OPERATING INSTRUCTIONS.**

Allavino has a policy of continuous improvement on its products and reserves the right to change materials and specifications without notice

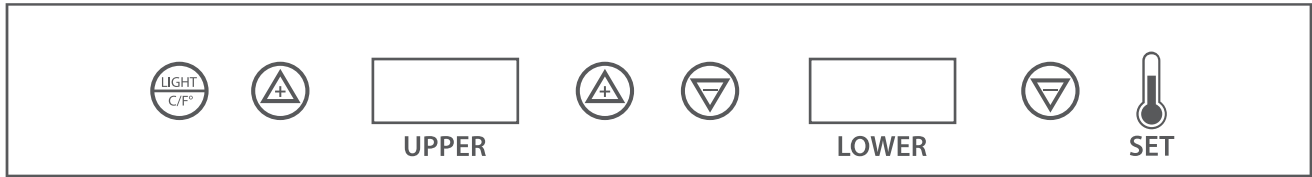
**ALLAVINO**

8520 Miralani Dr., San Diego, CA 92126

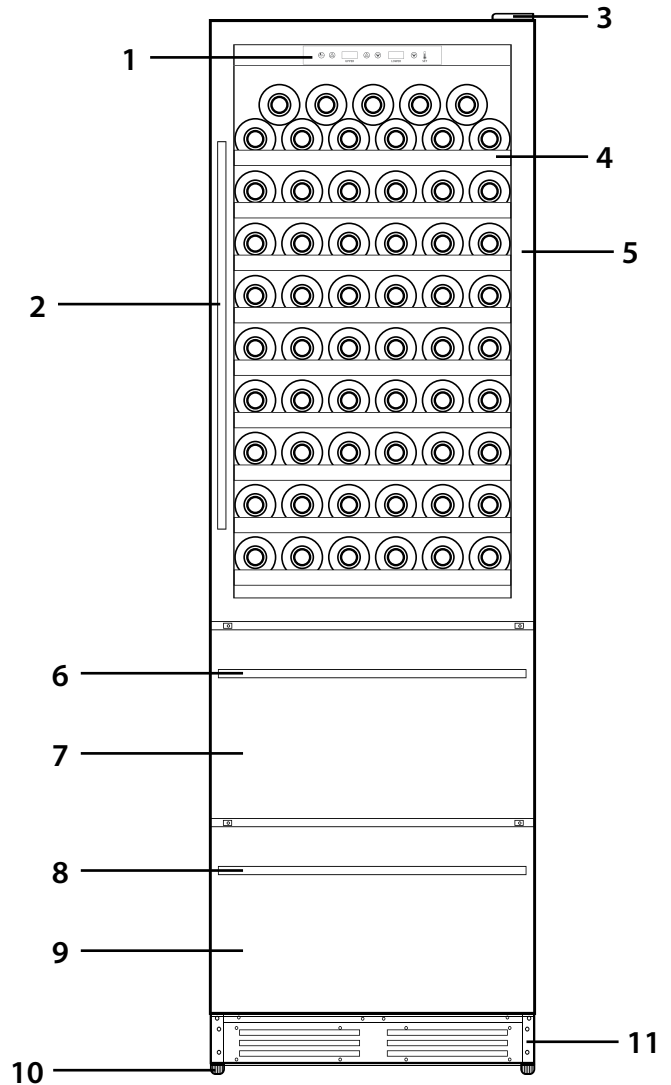
# **Table of Contents**

Diagram and Description .....	3
Safety Instructions .....	4-7
Installation Instructions .....	7
Anti-Tip Brack Installation .....	8-9
Installing the Handle .....	9
Operation Instructions .....	10
Setting Temperature .....	11
Care and Maintenance .....	11
Racking Configuration .....	12
Moving Racks .....	12
Reverse the Door .....	13
Troubleshooting .....	14
Technical Specifications .....	15
Warranty Information .....	16


## Diagram and Description



1. Control Panel
2. Glass Door Handle
3. Door Hinge
4. Storage Shelf
5. Glass Door
6. 54L Drawer Handle
7. 54L Drawer Door
8. 45L Drawer Handle
9. 45L Drawer Door
10. Adjustable Feet
11. Kickplate



## **Important Safety Instructions**

- The appliance is intended to be used exclusively for storage of wine.
- Make sure the voltage/current marked on the rating label corresponds with your supply voltage. Plug into a grounded 3-pin outlet, do not remove grounding pin, do not use an adapter, and do not use an extension cord.
- Do not connect or disconnect the electric plug when your hands are wet.
- Ensure enough people to move and install the appliance to avoid any damage to the appliance or injury to the peoples.
- To ensure proper ventilation for the appliance, the front of the unit must be completely unobstructed. Locate the unit away from direct sunlight and sources of heat (stove, heater, radiator, etc.).
- This appliance is not intended for use by young children.
- Do not use this appliance for other than its intended purpose.
- The use of attachments not recommended by the manufacturer may be hazardous.
- When you dispose the appliance, take off the door and leave the shelves in place so that children may not easily climb inside. And make sure the coolant circuit, particularly the heat exchanger at the back/bottom of the unit not be damaged. The  symbol on the product or its packaging indicates that this product is not to be handled as normal household waste and it is to be taken to a recycling collection point for electrical and electronic goods.
- Component parts shall be replaced with like components and that servicing shall be done by factory authorized service personnel.

## **IMPORTANT SAFETY INFORMATION**

### **DANGER! RISK OF CHILD ENTRAPMENT**

Before you throw away your old appliance:

1. Take off the doors.
2. Leave the shelves in place so that children may not easily climb inside.

**CAUTION:** To prevent a child from being entrapped, keep out of reach of children and not in the vicinity or appliance.

### **Refrigerants**

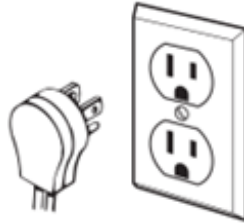
R600a is a kind of high performance green refrigerants, derived from natural ingredients, does not damage the ozone layer, without the greenhouse effect. Its characteristic is the strong cooling performance, low power consumption. All refrigeration products contain refrigerants, which under federal law must be removed prior to product disposal. If you are getting rid of an old refrigeration product, check with a qualified disposal company for instructions.

This product is Class I electrical appliance, must be grounded. In the event of an electrical short circuit, grounding reduces the risk of electric shock by providing an escape wire for the electric current. This appliance is equipped with a cord having a grounding wire with a grounding plug. The plug must be plugged into an outlet that is properly installed and grounded.

## **WARNING - Improper use of grounding can result in a risk of electric shock.**

1. Consult a qualified electrician or serviceman if the grounding instructions are not completely understood or if doubt exists as to whether the appliance is properly grounded.
2. Please don't change the power cord to avoid accident. If it is necessary to use an extension cord, use only a 3-wire extension cord that has a 3-blade grounding plug, and a 3-slot receptacle that will accept the plug on the appliance. The marked electrical rating of the extension cord shall be not less than 120V, 5A.

**Three-pronged (grounding plug)**



**Properly polarized and grounded outlet**

3. If unattended for a long time, please unplug the power cord.

## **MOVING THE APPLIANCE**

1. Unplug the wine cooler from the outlet.
2. Securely tape down all loose items inside.
3. Close the door.
4. Do not lift or pull the door or door handle during transportation.
5. When moving, the appliance can not be tilted over 45 degrees as possible damage to the sealed system could occur.
6. Take care to avoid strong vibration or impact to the appliance.
7. When moving the wine cooler, do take care and avoid to damage the refrigerant tube, risk of fire or explosion.

## **Safety Tips**

Before using this appliance, it must be properly positioned and installed as described in this manual, so please read carefully. To reduce the risk of fire, electrical shock or injury when using this appliance, follow these basic precautions.



**DANGER**



- Plug into a grounded 3-prong outlet. Do not under any circumstances cut or remove the third ground prong from the power cord supplied, do not use an adapter, and do not use an extension cord.
- It is recommended that a separate circuit, serving only your appliance be used. Do not use outlets that can be turned off by a switch or pull chain.
- Never clean appliance parts with flammable fluids and do not store or use gasoline or other flammable vapors and liquids in the vicinity of this or any other appliance. The fumes can create a fire hazard or explosion.
- Unplug the appliance or disconnect power before cleaning or servicing. Failure to do so can result in electrical shock or death.
- Do not attempt to repair or replace any part of your appliance unless it is specifically recommended in this manual. All other servicing should be referred to a qualified technician.



**WARNING**



- Use two or more people to move and install appliance. Failure to do so can result in back or other injury.
- To ensure proper ventilation for your appliance, the front of the unit must be completely unobstructed. Choose a well-ventilated area with temperatures above 60°F (16°C) and below 90°F (32°C). This unit must be installed in an area protected from the element, such as wind, rain, water spray or drips.
- The appliance should not be located next to ovens, grills or other high heat sources or in areas of extreme cold.
- The appliance must be installed in accordance with state and local codes. A standard electrical supply (115 V AC only, 60 Hz), properly grounded in accordance with the National Electrical Code and local ordinances is required.
- Do not kink or pinch the power supply cord of appliance.
- The fuse (or circuit breaker) size should be 15 amperes.
- It is important for the appliance to be leveled in order to work properly. You may need to make several adjustments to level it.
- Never allow children to operate, play with or crawl inside the appliance. Child entrapment and suffocation are not just problems of the past, junked or abandoned appliances are still dangerous. When no longer using your old beverage center, take off the door and leave the shelves in place so that children may not climb inside easily.
- Do not use solvent-based cleansers or abrasives on the interior as they may damage or discolor the interior.
- Because of potential safety hazards under certain conditions, it is strongly recommended that you do not use an extension cord with this appliance. However, if you must use an extension cord, it is absolutely necessary that it be a UL/CUL-Listed, 3-wire grounding type appliance extension cord having a grounding type plug and outlet and that the electrical rating of the cord be 115 volts and at least 10 amperes.

- If the appliance is going to be used in an area that is prone to power surges/outages, it is suggested that you use a power surge protector. The surge protector that you select must have a surge block high enough to protect the appliance it is connected to. Damages due to power surges are not considered a manufacturer covered defect and will void your product warranty.
- The cord should be secured behind the appliance and not left exposed or dangling to prevent accidental injury. Never unplug the appliance by pulling the power cord. Always grip the plug firmly and pull straight out from the receptacle. Repair or replace immediately all power cords that have become frayed or otherwise damaged. Do not use a cord with cracks or abrasion damage along its length or at either end. When moving the appliance, be careful not to damage the power cord.
- Do not use this apparatus for other than its intended purpose.
- California Proposition 65 Warning: This product may contain a substance known to the State of California to cause cancer, birth defects or other reproductive harm.

Failure to heed these safety warnings may result in extensive product damage, serious personal injury, or death.

## **Installation Instructions**

Before use:

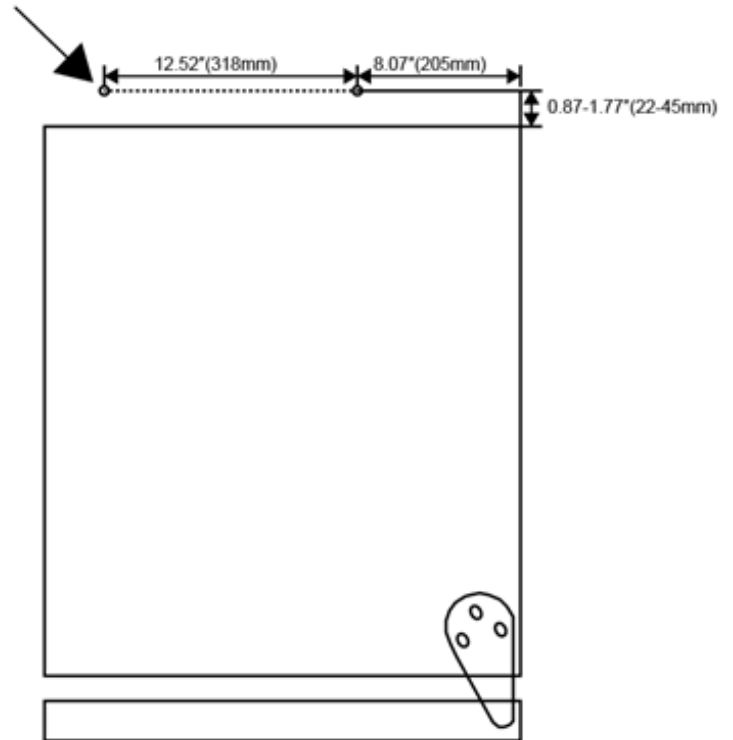
- Remove the exterior and interior packaging.
- Before connecting the unit to the power source, let it stand upright for approximately 8 hours. This will reduce the possibility of a malfunction in the cooling system from handling during transportation.
- Clean the interior surface with lukewarm water using a soft cloth.
- This appliance is designed for freestanding use. Ensure that there is 5cm of air space on both sides, and 8cm in back.
- Place the unit on a flat, solid floor that is strong enough to support it when it is fully loaded. To level the appliance, adjust the front leveling leg at the bottom of the unit.
- When moving your wine cellar, please do not incline it more than 45 degrees.
- Locate appliance away from direct sunlight and sources of heat (stove, heater, radiator, etc.). Direct sunlight may affect the acrylic coating and heat sources may increase electrical consumption. Extreme cold ambient temperatures may also cause the unit to perform improperly. The optimal ambient temperature range is 64.4°F - 78.8°F (18°C - 26°C).
- Avoid locating the unit in damp areas.
- Plug the wine cellar into an exclusive, properly installed and grounded wall outlet. Do not under any circumstances cut or remove the third (ground) prong from the power cord. Any questions concerning power and/or electrical grounding should be directed to a certified electrician or authorized products service center.
- After plugging the appliance into a wall outlet, allow the unit to cool down for 3 to 4 hours before placing wine bottles or beverage cans in the appliance.

## Anti-Tip Bracket Installation

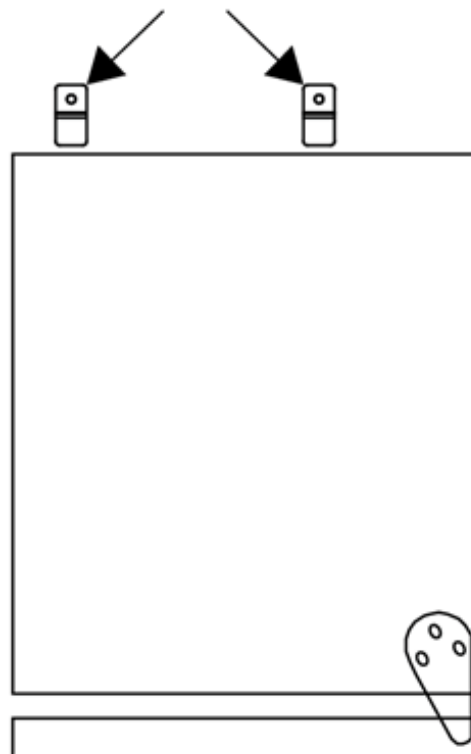
**WARNING!** To avoid the risk of serious personal injury or damage to the appliance due to instability of the appliance, it must be fixed to the floor with anti-tip brackets and screws (supplied). Before installing, carefully read these instructions.

- A. Take the fixing brackets (2pcs) and screws (2pcs) out of the instruction packet.
- B. Drill holes into the floor according to the dimensions shown below. This will allow you to fix the brackets to the floor.

According to size and location, the hold punched on the floor should be  $\varnothing 10''$ .

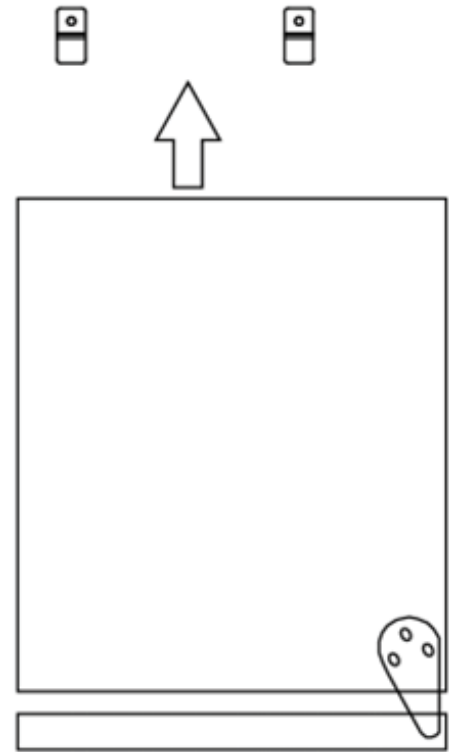


Use two expansion screws to fix feet on the floor



- C. Push the appliance into its place of installation.
- D. If the unit is not stable, pull out the appliance and repeat the previous step until the unit is stable.

**Note:** If the unit is relocated, the bracket must be removed and installed in the new location.

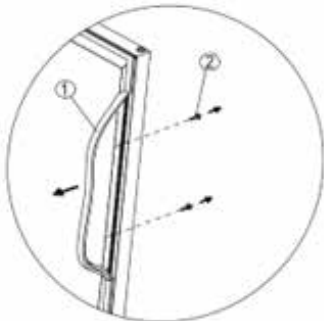


## Installing the Handle

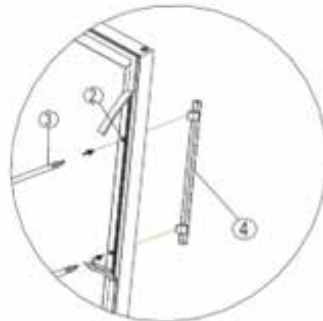
1. Pull away the door gasket in the area where the handle is to be installed, as Illustration #1. The gasket is easily removed by hand, no tools are necessary.
2. Align the handle with the pre-installed screws on the door frame. Tighten the screws with a screwdriver until the handles secure tightly against the door frame, as Illustration #2. (Do NOT over tighten as this will cause damage to the handle assembly).
3. Replace the door gasket to its original position.

**Note:** This wine cooler includes stainless steel handles that are not required to operate this wine cooler. If you choose not to use the handle supplied, simply follow step 1 to access the pre-installed screws and remove them and then place 2 decorative plugs (NOT included) into the two holes separately. Continue on to step 3 to replace the door gasket to its original position.

**Illustration #1**



**Illustration #2**



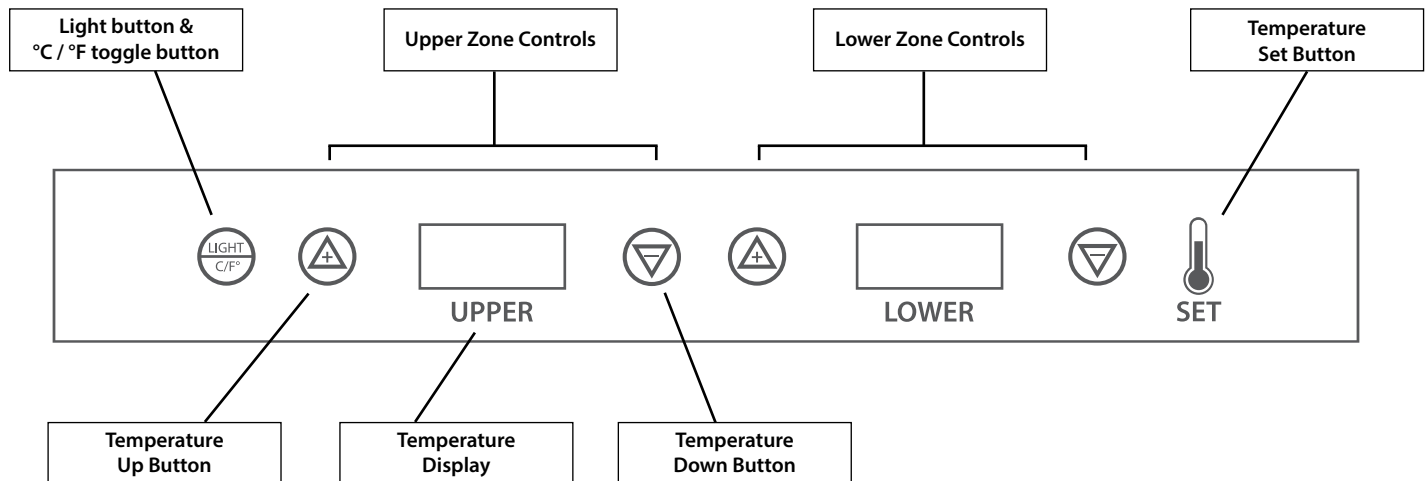
- 1 Gasket
- 2 Screw
- 3 Screw Driver
- 4 Handle

## **Operation Instructions**

The wine cellar should be placed in an area where the ambient temperature range is between 64.4°F - 78.8°F (18 - 26°C). If the ambient temperature is above or below this range, the performance of the unit may be affected. For example, placing your unit in extreme cold or hot conditions may cause interior temperatures to fluctuate.

Upper: 41°F - 72°F (5°C - 22°C), Lower Drawer: 39°F - 46°F (4°C - 8°C)

### **USING THE CONTROL PANEL**



To set the desired temperature for the upper or lower zone, press the Temperature Set button, and then use the Temperature up and down buttons to set the zone to the desired temperature.

Light: Turns the interior light on or off

°C / °F – To toggle the temperature display between Celsius and Fahrenheit, press the button for 3 seconds.

NOTE: If the unit is unplugged, power lost, or turned off, you must wait 3 to 5 minutes before restarting the unit. The unit contains compressor protection which will prevent the unit from starting until this time period has elapsed.

When you use the wine cooler for the first time or restart the wine cooler after having been shut off for a long time, there could be a few degrees variance between the temperature you select and the one indicated on the LED readout. This is normal and once the wine cooler is running for a few hours the display will be correct.

### **STORAGE CAPACITY**

Many bottles may differ in size and dimensions. The actual number of bottles you may be able to store may vary from the amount quoted.

Bottle capacities are approximate maximums when storing traditional 750ml bottles and include bulk storage.

## **Setting Temperature**

The Wine Cellar has a wide enough temperature range to store either red or white wine, depending on your preference. Different varieties of wine require different temperature settings. Red wine is generally stored between 50°F (10°C) and 65°F (18°C), while white wines are stored between 40°F (4°C) and 50°F (10°C). White wine can be stored at red wine temperatures for a short period of time (less than three months), and flash chilled before serving.

You can set the temperature as you desire by touching the UP or DOWN button. When you touch the buttons for the first time, the LED readout will show the original temperature set at the manufacturing facility. Each push of the button will adjust the temperature by one degree in the desired direction. Please be aware that the desired temperatures may fluctuate depending on whether the interior light is ON or OFF and depending on the orientation of the bottles.

### **PLEASE NOTE:**

- In the event of a power interruption, all previous temperature settings will be automatically saved and each compartment will return to the previous temperature setting.

## **Care and Maintenance**

Cleaning your wine cellar:

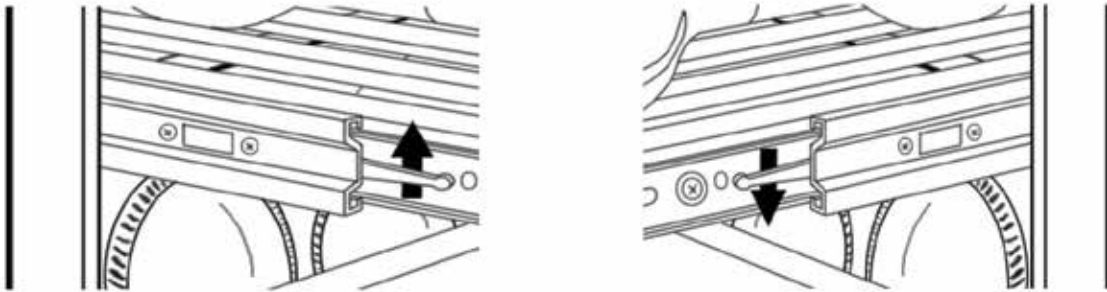
- Unplug the appliance, and remove all items including all shelves.
- Wash the inside surfaces with warm water and baking soda solution. The solution should be about 2 tablespoons of baking soda to a quart of water.
- Wash the shelves with a mild detergent solution.
- Wring excess water out of the sponge or cloth when cleaning area of the controls, or any electrical parts.
- Wash the outside cabinet with warm water and mild liquid detergent. Rinse and wipe dry with a clean soft cloth.
- Dust the front grill and back of the unit twice yearly. Make sure the unit is unplugged before cleaning.
- It is recommended to clean the unit completely inside and out yearly to maximize the longevity of the product.

Moving your wine cellar:

- Remove all bottles and any other items you may have inside the unit.
- Securely tape down all loose items (shelves) inside your appliance and tape the door shut.
- Turn the adjustable leg up to the base to avoid damage.
- Be sure the appliance stays secure in the upright position during transportation.
- Protect the outside of the appliance with a blanket or similar item.

## **Racking Configuration**

Disperse your bottles evenly throughout the unit so as not to concentrate weight in any one area. This also helps to provide an even temperature range throughout the unit. Make sure that bottles are not all grouped together either at the top or bottom of the cabinet. The maximum capacity per shelf is 20kgs. Never try to pull out more than one rolling shelf at a time as it can cause the appliance to tip forward.



You can remove a shelf to accommodate larger diameter bottles on the shelf below it. To remove a shelf, pull it out as far as you can. There are levers on each side of the shelf near the rollers. One side up and the other side down to remove the shelf from the tracks.

The wine cellar has 9 shelves that can hold up to 11 bottles each, with a top shelf that can hold up to 20 bottles.



## **Moving Racks**

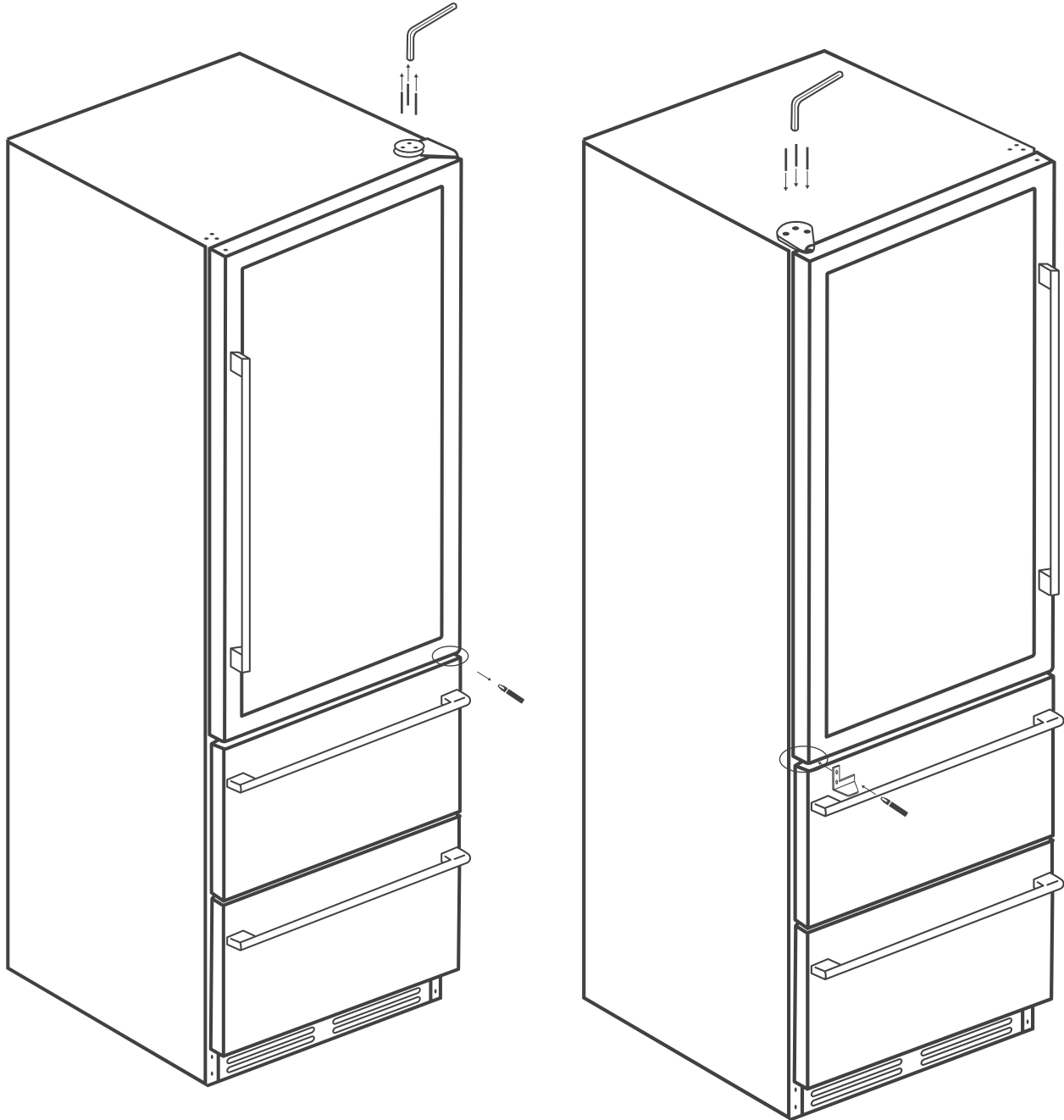
The shelves have smooth glide-out rollers that are adjustable in 1 1/4" increments to accommodate larger bottles according to your needs. To move a sliding shelf, first remove all bottles, and then remove the sliding shelf by sliding guides from walls, making sure not to mix up the right and left guides. Then refit the sliding shelf as shown below:



These adjustable shelves allow you to customize the interior of the cabinet to accommodate your specific collection.

## **Reverse the Door**

1. Hold the door, loosen and remove the screws on right upper hinge by tools.
2. Lift the door and take it out from the lower hinge and place it on the mat to avoid damage and scratches. Then remove the right lower hinge.
3. Remove the rubber caps covering the holes on the left side, install the left lower hinge (included in the fittings).
4. Put the door on the lower hinge, reverse the upper hinge direction, and fix it on the top of the door. Adjust the door to make sure it is level with the top of the unit. Then tighten all the screws.



## **Troubleshooting**

There are many common issues you may experience with your wine unit that can be solved very easily, without the need of a service call. Try the tips below to troubleshoot your unit should you experience any problems:

PROBLEM	POSSIBLE CAUSE
Wine refrigerator does not operate	The appliance is not plugged in The circuit breaker tripped or a fuse has blown out
Wine refrigerator is not cold enough	Check the temperature control setting External environment may require a higher setting The door is opened too often The door is not closed completely The door gasket is not sealing properly
Wine refrigerator is turning on and off frequently	The room temperature is hotter than normal. The door is opened too often. The door is not closed completely. The temperature control is not set correctly. The door gasket does not seal properly.
The light does not work	Not plugged in. The circuit breaker tripped or a fuse has blown. The light bulb has burned out. The light button is "OFF".
Vibrations	Check to assure that the wine refrigerator is on a level surface.
The wine refrigerator seems to make too much noise	A faint humming noise may come from the flow of the refrigerant, which is normal. As each cycle ends, you may hear gurgling sounds caused by the flow of refrigerant in your wine unit. Contraction and expansion of the inside walls may cause popping and crackling noises. The wine refrigerator is not on a level surface.
The door will not close properly	The unit is not on a level surface. The gasket is dirty. The shelves are out of position.
Condensation forming inside of the cabinet	Condensation occurs when too much ambient air gets into the cabinet. Wipe off the doors and walls and leave door closed as long as possible. Check that the door gasket and the charcoal filter are properly in place.

## **Technical Specifications**

Bottle Count	Up to 108 bottles
Dimensions	76.5" H x 23.625" W x 27" D (28.75" w/ handle)
Weight	256 lbs.
Voltage / Frequency	115v / 60 Hz
Running Amps	1.60A
Operating Temperature	Upper: 41°F - 72°F   Lower: 39°F - 46°F
Ambient Temperature	65°F – 80°F

## **Warranty Information**

### **WHAT IS COVERED LIMITED ONE-YEAR WARRANTY:**

For one year from the date of purchase by the original owner, Allavino will, at its option, repair or replace any part of the unit, which proves to be defective in material or workmanship under normal use. During this period Allavino will provide all parts and labor necessary to correct such defects free of charge, so long as the unit has been installed and operated in accordance with the written instructions in this manual. Allavino will provide you with a reasonably similar replacement product that is either new or factory refurbished. In rental or commercial use, the warranty period is 90 days. All Allavino Appliances of 3.5 cubic feet capacity or less must be brought/sent to the appliance service shop for repair.

### **LIMITED SECOND THROUGH FIFTH YEAR WARRANTY:**

For the second through the fifth year from date of original purchase, Allavino Products will provide a replacement compressor free of charge due to a failure. You are responsible for the service labor and freight charges. In rental or commercial use, the limited compressor warranty is one year and nine months. Cost to move the appliance to the servicers' shop and back to the user's home, as may be required, are the user's responsibility.

### **WHAT IS NOT COVERED:**

- Content losses of food or other, due to spoilage.
- Incidental or consequential damages.
- Parts and labor costs for the following will not be considered as warranty:
  - Door springs, and/or frames.
  - Inner door panels, door rails and/or door supports.
  - Light bulbs and/or plastic housing.
  - Plastic cabinet liners.
  - Punctured evaporator that voids the warranty on the complete sealed system.
  - Repairs performed by unauthorized servicers.
  - Shipping and handling costs associated with the replacement of the unit.
  - Service calls that do not involve defects in material or workmanship such as customer education, door reversal, or proper installation.
  - Surcharges including, but not limited to, any after hour, weekend, or holiday service calls, tolls, ferry trip charges, or mileage expense for service call to remote areas, including the State of Alaska.
  - Service calls that are related to external problems, such as abuse, misuse, inadequate electrical power, accidents, fire, floods, or acts of God.
  - Replacement of house fuses or resetting circuit breakers.
- Failure of the product if it is used for other than its intended purpose.
- This warranty does not apply outside the Continental USA.

### **SERVICE FOR YOUR WINE REFRIGERATOR:**

With the purchase of your Allavino appliance, you can have the confidence that if you ever need additional information or assistance, the Allavino Customer Service team will be here for you. Whatever your questions are about our products, help is available. Just call us toll-free.

### **ALLAVINO PRODUCT CUSTOMER SERVICES:**

Product Information, Part Orders and In-Home Repair Service: **888-980-4809**