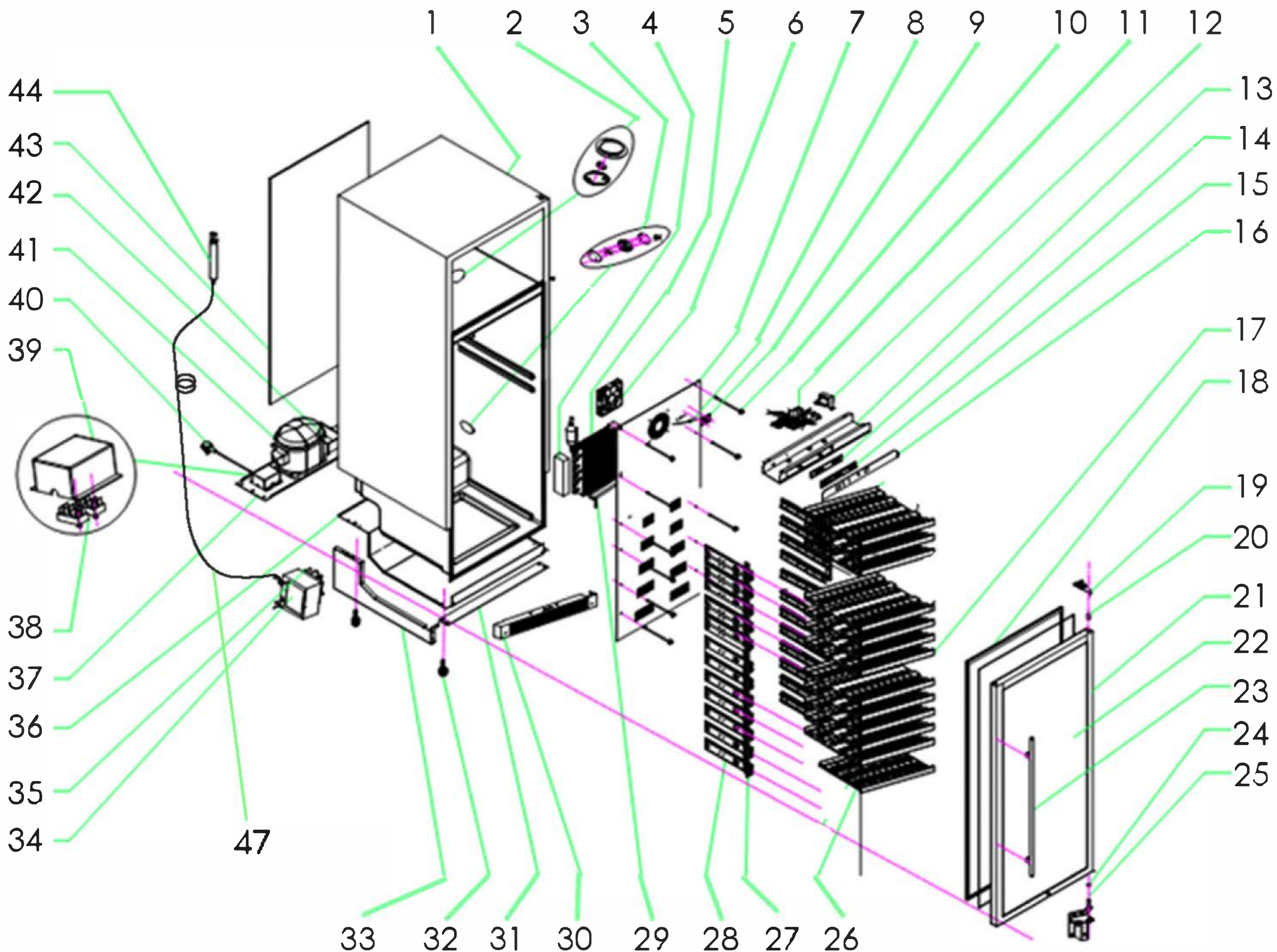


# VSWR177-1



- |    |                          |            |    |                   |              |
|----|--------------------------|------------|----|-------------------|--------------|
| 1  | Body                     |            | 25 | Lower Hinge       | V-BHINGE1    |
| 2  | Top LED Set              | V-TOPLED   | 26 | Small rack        | V-BRACK1     |
| 3  | Side LED Set             | V-SIDELED  | 27 | Shelf Bracket     |              |
| 4  | Foam                     |            | 28 | Shelf Guide       | V-ROLLERST   |
| 5  | Evaporator               | V-EVAP1    | 29 | Water tank        |              |
| 6  | Fan                      | V-BIGFAN1  | 30 | Right Hinge Grill | V-GRILL1     |
| 7  | Inner clapboard          |            |    | Left Hinge Grill  | V-GRILL2     |
| 8  | Sensor                   | V-SENSOR2  | 31 | Front-crossband   |              |
| 9  | Sensor Cover             | V-SENCOVR  | 32 | Adjustable Foot   | V-FOOT1      |
| 10 | Screw                    |            | 33 | Reinforce iron    |              |
| 11 | Main Board               | V-MAIN2    | 34 | Condenser         | V-COND1      |
| 12 | Transformer              | V-TRANS1   |    |                   |              |
| 13 | Electrical equipment box |            | 35 | Fan               | V-BIGFAN2    |
| 14 | Control Panel            | V-DISP1    | 36 | Bottom plate      |              |
| 15 | Plastic Button           | V-PBUTTON1 | 37 | Splint            |              |
| 16 | Display Sticker          | V-STICKER1 | 38 | Wire block        |              |
| 17 | Big Rack                 | V-MRACK1   | 39 | Wire box          |              |
| 18 | Door seal                | V-DSEAL1   | 40 | Power cable       |              |
| 19 | Right Top Hinge          | V-THINGE1  | 41 | Compressor        | V-COMP4      |
|    | Left Top Hinge           | V-THINGE2  | 42 | Water tank        | V-CONPAN     |
| 20 | Door Spindle Sleeve      | V-SPINDLE  | 43 | Base plate        |              |
| 21 | Door frame               |            | 44 | Dry filter        | V-FILTER     |
| 22 | Glass                    |            | 45 | Lock              | V-LOCK       |
| 23 | Handle                   |            | 46 | Evaporator Sensor | V-EVAPSENSOR |
| 24 | Gasket                   |            |    | (not shown)       |              |
|    |                          |            | 47 | CAPILLARY TUBE    | V-CAPD       |